

MPHC series

Maximum working pressure up to 1 MPa (10 bar) - Flow rate up to 3500 l/min



Description

Technical data

Return filter

Maximum working pressure up to 1 MPa (10 bar)
Flow rate up to 3500 l/min

MPHC is a range of return filters for protection of the reservoir against the system contamination. They are directly fixed to the reservoir, in immersed or semi-immersed position.

The use of the diffuser is recommended, to place the filter output always immersed into the fluid to avoid aeration or foam generation into the reservoir.

The filtration from inside to outside allows a cleaner filter element replacement, the dirty remains into the filter element.

Available features:

- Female threaded connections up to 1 1/2" and flanged connections up to 4", for a maximum flow rate of 3500 l/min
- Multiple connections, to connect several return lines or drains
- In to Out filtration, to reduce the risk of residual contamination going into the system during the maintenance works
- Fine filtration rating, to get a good cleanliness level into the reservoir
- Bypass valve, to relieve excessive pressure drop across the filter media
- Magnetic filter, to hold the ferrous particles
- 2, 3, 4 or 8 fixing holes for installation, to suit a variety of reservoir surfaces
- Flat Seal to suit a variety of reservoir surfaces
- Oil dipstick, to easily check the level of the fluid into the reservoir (separate item)
- Diffuser, to reduce the risk of aeration, foaming and noise
- Filler plug, to fill cleaned fluid into the tank without an additional plug
- Integrated breather filter, to clean the air that moves into the reservoir as result of the oil level fluctuation (MPH110/114)
- Integrated breather filter with pressurization valve, to clean the air that moves into the reservoir as result of the oil level fluctuation and to guarantee the pressurization into the reservoir (MPH110/114)
- Visual, electrical and electronic clogging indicators

Common applications:

Heavy duty industrial equipment

Filter housing materials

- Head: Aluminium: MPHC 110-114-116-120-250
Anodized Aluminium: MPHC 630-850
Painted Aluminium: MPHC 660
- Cover: Polyamide: MPHC 110-114-116-120
Aluminium: MPHC 250
Anodized Aluminium: MPHC 630
Painted Aluminium: MPHC 660
Steel: MPHC 850
- Insert assembly: Polyamide: MPHC 110-114-116-120
Aluminium: MPHC 250-630-660-850
- Diffuser: Stainless Steel
- Valve: Phosphatized Steel

Pressure

- Test pressure: 1.5 MPa (15 bar)
- Min. Burst pressure: 3 MPa (30 bar)
- Pulse pressure fatigue test: 1 000 000 cycles with pressure from 0 to 1 MPa (10 bar)

Bypass valve

- Opening pressure 0.175 MPa (1.75 bar) ±10%
- Opening pressure 0.25 MPa (2.5 bar) ±10%, except for MPHC 850

Filter element features

Filter MPHC	Filter element MRC		
Δp Element type			
Element media	Construction	Δp Series	Δp
A - Microfiber	Standard	D	10 bar
M - Wire mesh	Standard	D	10 bar
P - Paper	Standard	D	10 bar
<i>Please see ordering code tables to check element Δp series availability based on filter features.</i>			
Flow direction through the filter element: From IN to OUT			

Seals

- Standard NBR series A or W
- Optional FPM series V or Z

Temperature

From -25 °C to +110 °C

Note

MPHC filters are provided for vertical mounting

Weights [kg] and volumes [dm³]

Filter series	Weights [kg]					Volumes [dm ³]						
	Length	10	20	30	40	50	Length	10	20	30	40	50
MPHC 110		1.60	1.70	1.80	2.20	2.60		1.60	1.70	1.80	2.20	2.60
MPHC 114		1.60	1.70	1.80	2.20	2.60		1.60	1.70	1.80	2.20	2.60
MPHC 116		1.60	1.70	1.80	2.20	2.60		1.60	1.70	1.80	2.20	2.60
MPHC 120		1.60	1.70	1.80	2.20	2.60		1.60	1.70	1.80	2.20	2.60
MPHC 250		3.60	3.90	4.20	5.60	-		4.40	4.40	5.40	8.00	-
MPHC 630		6.50	7.00	7.40	8.50	10.50		7.30	9.00	11.00	13.00	19.20
MPHC 660		-	-	-	11.50	14.00		-	-	-	14.60	21.00
MPHC 850		32.00	35.00	38.00	42.00	-		13.00	16.50	21.00	25.00	-

Flow rates [l/min]

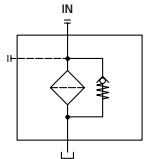
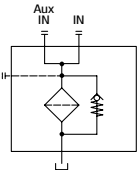
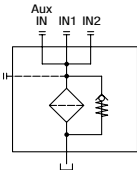
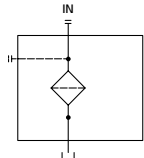
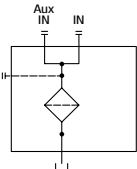
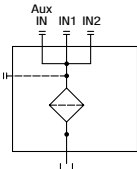
Filter series	Length	Filter element design - D series					Filter element design - D series		
		A0003	A0006	A0010	A0016	A0025	M0025 M0060 M0090	P0010	P0025
MPHC 110-114 116-120	1	26	29	72	79	107	282	164	190
	2	43	46	112	114	161	318	164	190
	3	64	72	132	156	178	324	219	251
	4	90	99	184	198	216	324	266	302
	5	117	128	201	219	244	324	282	318
MPHC 250	1	93	102	210	251	315	1093	339	383
	2	124	151	327	412	421	1122	460	514
	3	189	221	418	445	500	1137	544	616
	4	261	304	592	670	766	1166	832	923
MPHC 630	1	160	200	369	423	518	1894	565	632
	2	240	257	571	611	1045	1929	1137	1285
	3	330	374	745	788	1308	1938	1416	1577
	4	374	403	887	1010	1348	1956	1448	1612
	5	625	698	1210	1257	1723	2121	1839	1929
MPHC 660	4	370	399	903	1042	1460	2376	1596	1830
	5	624	699	1282	1343	1997	2663	2182	2331
MPHC 850	1	775	1041	1246	1568	2242	3311	2371	2625
	2	1176	1522	1682	1747	2449	3378	2684	2886
	3	1490	1914	1995	2014	3035	3405	3144	3220
	4	1668	2088	2305	2363	3169	3517	3272	3378

Maximum flow rate for a complete return filter with a pressure drop $\Delta p = 0.5$ bar.

The reference fluid has a kinematic viscosity of 30 mm²/s (cSt) and a density of 0.86 kg/dm³.

For different pressure drop or fluid viscosity we recommend to use our selection software available on www.mpfiltri.com.

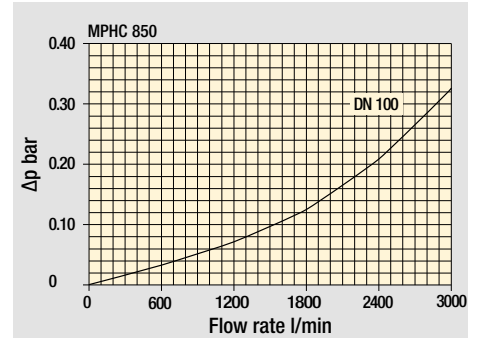
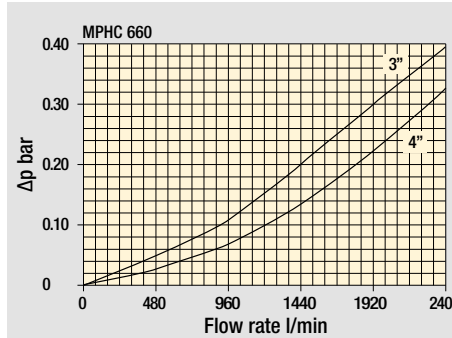
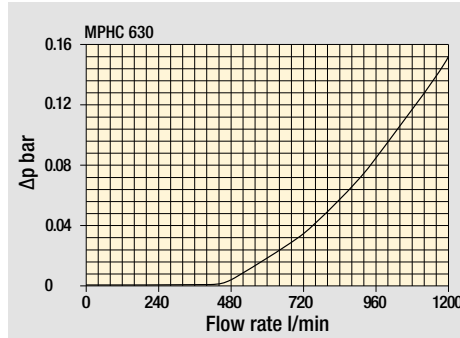
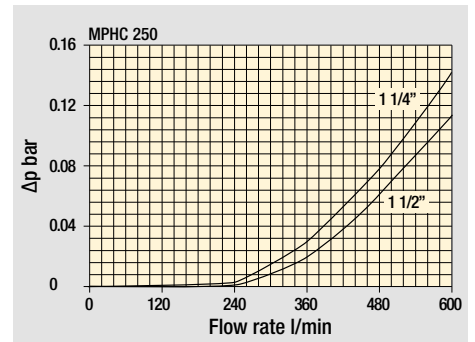
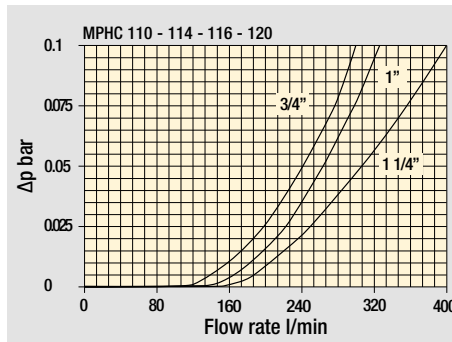
You can also calculate the right size using the formulas present on the FILTER SIZING paragraph at the beginning of the full catalogue or at the beginning of the filter family brochure. Please, contact our Sales Department for further additional information.

Filter series	Single IN Port	Double IN Port	Triple IN port
MPHC 110	•	•	-
MPHC 114	•	-	-
MPHC 116	•	-	-
MPHC 120	•	•	•
MPHC 250	•	•	-
MPHC 630	•	•	-
MPHC 660	•	-	-
MPHC 850	•	•	-
17 / 25 with bypass 1.75 / 2.5 bar			
00 without bypass			

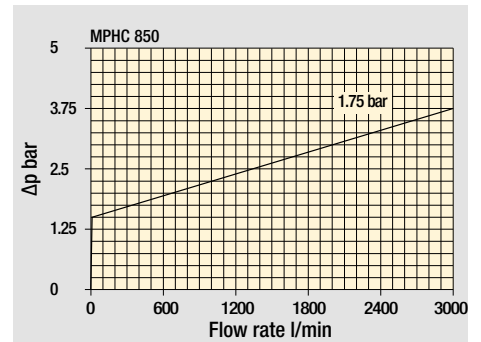
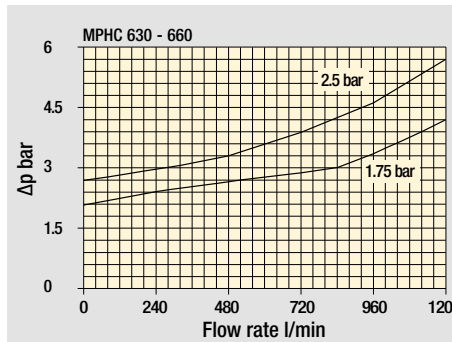
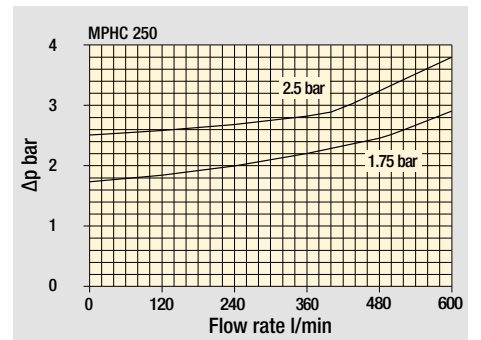
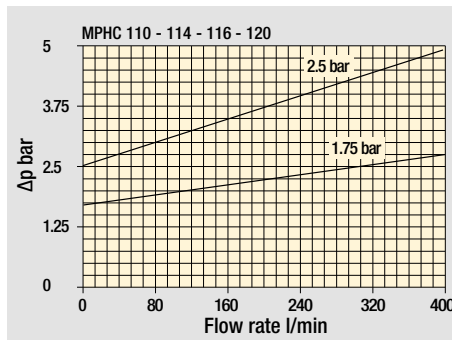
Hydraulic diagram

Pressure drop

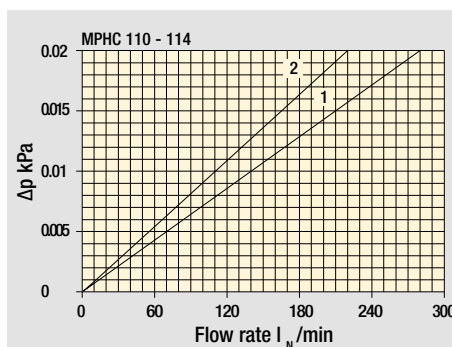
Filter housings Δp pressure drop



Bypass valve pressure drop



Air breather pressure drop



- 1 **AS** With air breather 10 μ m
- 2 **AR** With anti-splash and SAP50 10 μ m

The curves are plotted using mineral oil with density of 0.86 kg/dm³ in compliance with ISO 3968. Δp varies proportionally with density.

Designation & Ordering code

COMPLETE FILTER

Series	Example: MPHC 110 50 A0025 D W 17 FS012 1 6T DA P01 NN												
MPHC													
Size	110												
Length	10 20 30 40 50												
Filtration rating (filter media)													
A0003	Inorganic microfiber	3 µm											
A0006	Inorganic microfiber	6 µm											
A0010	Inorganic microfiber	10 µm											
A0016	Inorganic microfiber	16 µm											
A0025	Inorganic microfiber	25 µm											
M0025	Wire mesh	25 µm											
M0060	Wire mesh	60 µm											
M0090	Wire mesh	90 µm											
P0010	Resin impregnated paper	10 µm											
P0025	Resin impregnated paper	25 µm											
			Element Δp										
			D	10 bar									
Seals and treatments	A0xxx	M0xxx	P0xxx										
A NBR	•	•	•										
V FPM	•	•	•										
W NBR with filter and components surface treatment	•	•	-										
Z FPM with filter and components surface treatment	•	•	-										
By-pass valve													
00	Without bypass												
17	With bypass 1.75 bar												
25	With bypass 2.5 bar												
Connections													
FG034	G 3/4"	FN034	3/4" NPT	FS012	SAE 12 - 1 1/16" - 12 UN								
FG100	G 1"	FN100	1" NPT	FS016	SAE 16 - 1 5/16" - 12 UN								
FG114	G 1 1/4"	FN114	1 1/4" NPT	FS020	SAE 20 - 1 5/8" - 12 UN								
Additional connections													
1	Main connection	FG034 FG100 FN114	G 3/8"	Main connection	FN034 FN100 FN114	3/8" NPT	Main connection	FS012 FS016 FS020	SAE 6 - 9/16" 18 UNF				
2	Main connection	FG034 FG100 FN114	G 1/2"	Main connection	FN034 FN100 FN114	1/2" NPT	Main connection	FS012 FS016 FS020	SAE 8 - 3/4" 16 UNF				
Connections for clogging indicator													
6T	With both side indicator connection, with metal plug												
Additional features													
	Standard	With diffuser	With magnetic filter	With diffuser and magnetic filter									
NN	Without air breather	DA	MA	DE									
AS	With air breather 10 µm	DB	MS	DF									
AR	With anti-splash air breather SAP050 10 µm	DC	MR	DG									
AP	With anti-splash air breather SAP050 10 µm, press. 0.5 bar	DD	MP	DH									
Execution													
P01	Standard catalogue item												
Certificates													
NN	None												

CLOGGING INDICATORS

See pages 776-777

BVA	Axial pressure gauge	BEA	Electrical pressure indicator
BVR	Radial pressure gauge	BEM	Electrical pressure indicator
BVP	Visual pressure indicator with automatic reset	BLA	Electrical / visual pressure indicator
BVQ	Visual pressure indicator with manual reset		

ACCESSORIES

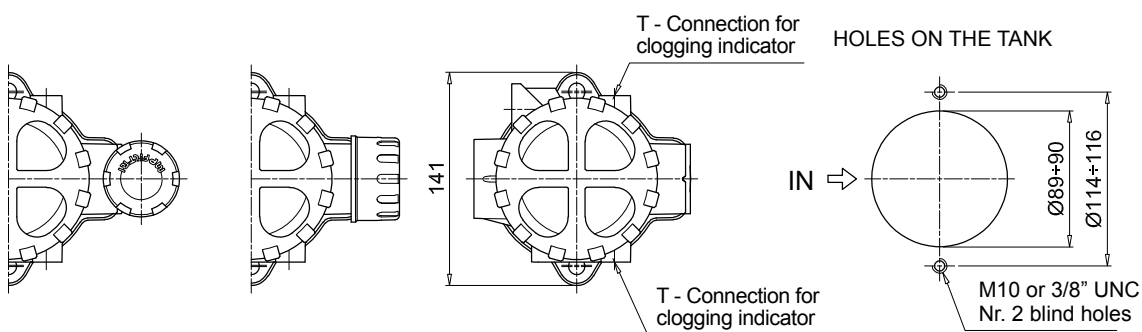
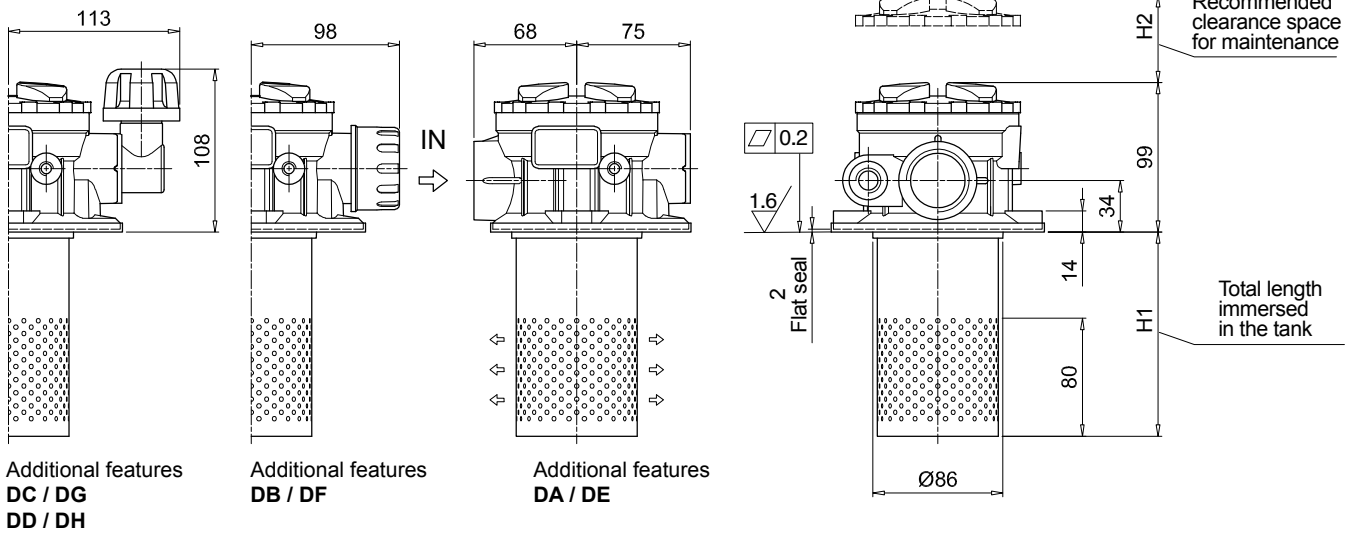
See page 270

DPT	Dipstick
------------	----------

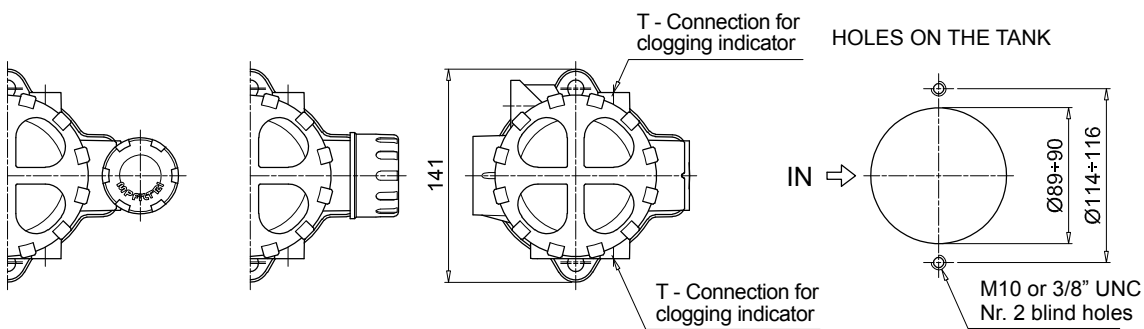
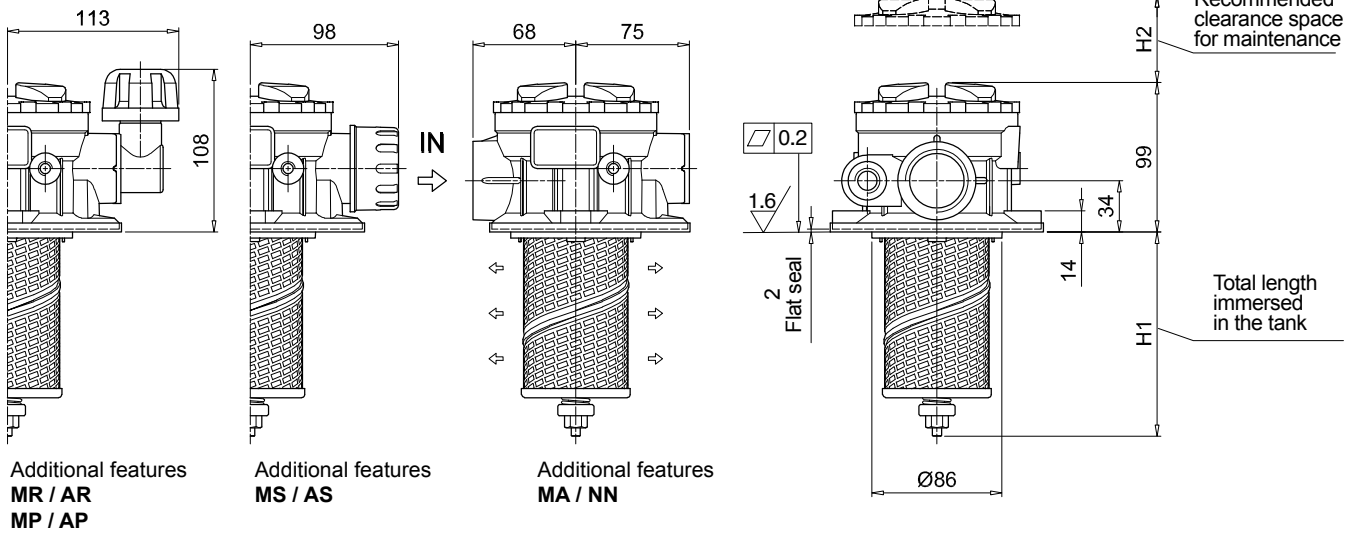
FILTER ELEMENT										
Series MRC	Example: MRC 100 50 A0025 D A 00 NN P01 NN									
Size 100										
Length 10 20 30 40 50										
Filtration rating (filter media)										
A0003 Inorganic microfiber 3 µm										
A0006 Inorganic microfiber 6 µm										
A0010 Inorganic microfiber 10 µm										
A0016 Inorganic microfiber 16 µm										
A0025 Inorganic microfiber 25 µm										
M0025 Wire mesh 25 µm										
M0060 Wire mesh 60 µm										
M0090 Wire mesh 90 µm										
P0010 Resin impregnated paper 10 µm										
P0025 Resin impregnated paper 25 µm										
Element Δp D 10 bar										
Seals and treatments										
A NBR										
V FPM										
Bypass 00 Without bypass										
Additional features NN Without additional features										
Execution P01 Standard catalogue item										
Certificates NN None										

Dimensions

MPHC110				
with diffuser				
Connection	T	Filter length	H1 [mm]	H2 [mm]
FG034	G 1/8"	10	188	255
FG100		20	188	255
FG114		30	238	305
FN034	1/8" NPT	40	338	405
FN100		50	438	505
FN114				
FS012	1/8" NPT			
FS016				
FS020				



MPHC110				
without diffuser				
Connection	T	Filter length	H1 [mm]	H2 [mm]
FG034	G 1/8"	10	129	190
FG100		20	173	235
FG114		30	223	285
FN034	1/8" NPT	40	323	385
FN100		50	423	485
FN114				
FS012	1/8" NPT			
FS016				
FS020				



Designation & Ordering code

COMPLETE FILTER

Series	Example: MPHC	114	50	A0025	D	W	17	FS012	0	3T	DA	P01	NN
MPHC													
Size													
114													
Length													
10 20 30 40 50													
Filtration rating (filter media)													
A0003	Inorganic microfiber	3 µm											
A0006	Inorganic microfiber	6 µm											
A0010	Inorganic microfiber	10 µm											
A0016	Inorganic microfiber	16 µm											
A0025	Inorganic microfiber	25 µm											
M0025	Wire mesh	25 µm											
M0060	Wire mesh	60 µm											
M0090	Wire mesh	90 µm											
P0010	Resin impregnated paper	10 µm											
P0025	Resin impregnated paper	25 µm											
Element Δp													
D	10 bar												
Seals and treatments													
		A0xxx	M0xxx	PDxxx									
A	NBR	•	•	•									
V	FPM	•	•	•									
W	NBR with filter and components surface treatment	•	•	-									
Z	FPM with filter and components surface treatment	•	•	-									
By-pass valve													
00	Without bypass												
17	With bypass 1.75 bar												
25	With bypass 2.5 bar												
Connections													
FG034	G 3/4"	FN034	3/4" NPT	FS012	SAE 12 - 1 1/16" - 12 UN								
FG100	G 1"	FN100	1" NPT	FS016	SAE 16 - 1 5/16" - 12 UN								
FG114	G 1 1/4"	FN114	1 1/4" NPT	FS020	SAE 20 - 1 5/8" - 12 UN								
Additional connections													
0	Without additional connections												
Connections for clogging indicator													
3T	With left indicator connection, with metal plug												
Additional features													
	Standard	With diffuser	With magnetic filter	With diffuser and magnetic filter									
NN	Without air breather	DA	MA	DE									
AS	With air breather 10 µm	DB	MS	DF									
AR	With anti-splash air breather SAP050 10 µm	DC	MR	DG									
AP	With anti-splash air breather SAP050 10 µm, press. 0.5 bar	DD	MP	DH									
Execution													
P01	Standard catalogue item												
Certificates													
NN	None												

CLOGGING INDICATORS

See pages 776-777

BVA	Axial pressure gauge	BEA	Electrical pressure indicator
BVR	Radial pressure gauge	BEM	Electrical pressure indicator
BVP	Visual pressure indicator with automatic reset	BLA	Electrical / visual pressure indicator
BVQ	Visual pressure indicator with manual reset		

ACCESSORIES

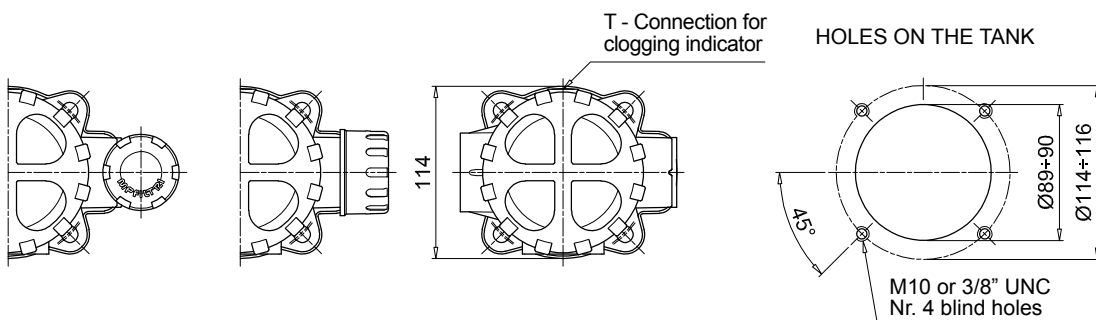
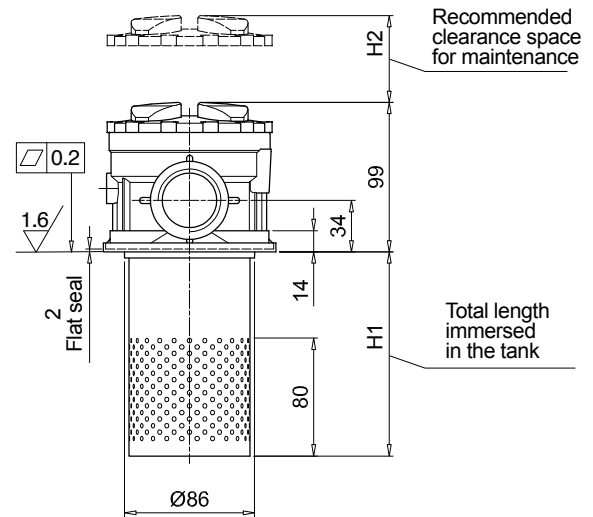
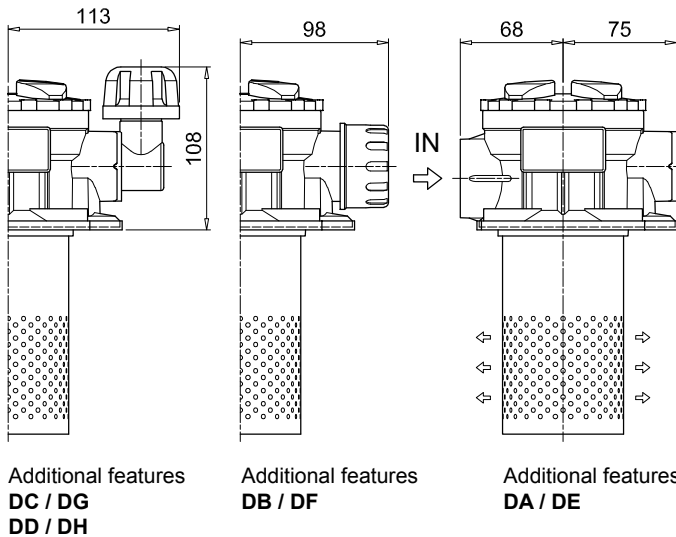
See page 270

DPT	Dipstick
------------	----------

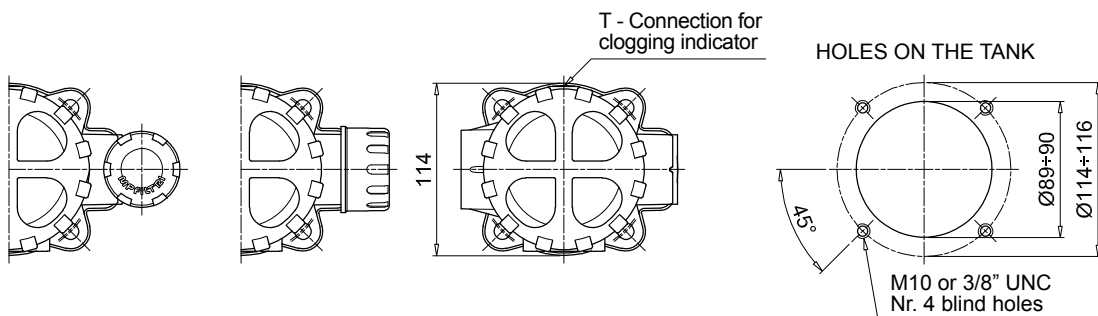
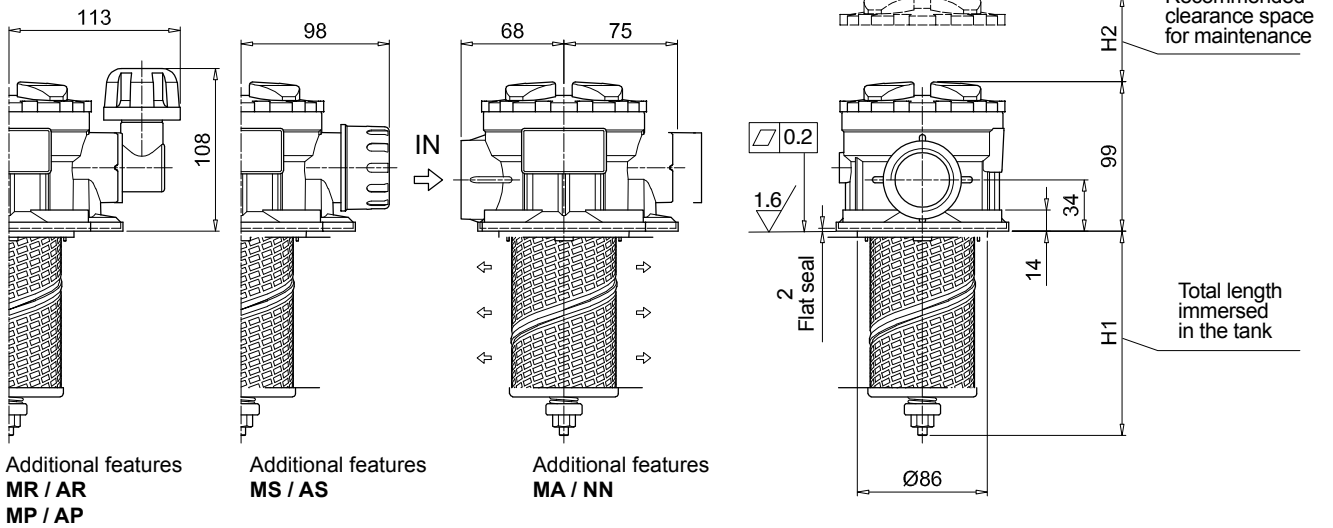
FILTER ELEMENT	
Series MRC	Example: MRC 100 50 A0025 D A 00 NN P01 NN
Size 100	
Length 10 20 30 40 50	
Filtration rating (filter media)	
A0003 Inorganic microfiber 3 µm	
A0006 Inorganic microfiber 6 µm	
A0010 Inorganic microfiber 10 µm	
A0016 Inorganic microfiber 16 µm	
A0025 Inorganic microfiber 25 µm	
M0025 Wire mesh 25 µm	
M0060 Wire mesh 60 µm	
M0090 Wire mesh 90 µm	
P0010 Resin impregnated paper 10 µm	
P0025 Resin impregnated paper 25 µm	
Element Δp D 10 bar	
Seals and treatments	
A NBR	
V FPM	
Bypass 00 Without bypass	
Additional features NN Without additional features	
Execution P01 Standard catalogue item	
Certificates NN None	

Dimensions

MPHC114				
with diffuser				
Connection	T	Filter length	H1 [mm]	H2 [mm]
FG034	G 1/8"	10	188	255
FG100		20	188	255
FG114		30	238	305
FN034	1/8" NPT	40	338	405
FN100		50	438	505
FN114				
FS012	1/8" NPT			
FS016				
FS020				



MPHC114				
without diffuser				
Connection	T	Filter length	H1 [mm]	H2 [mm]
FG034	G 1/8"	10	129	190
FG100		20	173	235
FG114		30	223	285
FN034	1/8" NPT	40	323	385
FN100		50	423	485
FN114				
FS012	1/8" NPT			
FS016				
FS020				



Designation & Ordering code

COMPLETE FILTER

Series MPHC	Example:	MPHC	116	50	A0025	D	W	17	FS012	0	3T	DA	P01	NN
Size 116														
Length 10 20 30 40 50														
Filtration rating (filter media)														
A0003 Inorganic microfiber	3 µm													
A0006 Inorganic microfiber	6 µm													
A0010 Inorganic microfiber	10 µm													
A0016 Inorganic microfiber	16 µm													
A0025 Inorganic microfiber	25 µm													
M0025 Wire mesh	25 µm													
M0060 Wire mesh	60 µm													
M0090 Wire mesh	90 µm													
P0010 Resin impregnated paper	10 µm													
P0025 Resin impregnated paper	25 µm													
	Element Δp D 10 bar													
Seals and treatments	A0xxx	M0xxx	PDxxx											
A NBR	•	•	•											
V FPM	•	•	•											
W NBR with filter and components surface treatment	•	•	-											
Z FPM with filter and components surface treatment	•	•	-											
Flat seal on head on request														
By-pass valve														
00 Without bypass														
17 With bypass 1.75 bar														
25 With bypass 2.5 bar														
Connections														
FG034 G 3/4"	FN034 3/4" NPT	FS012 SAE 12 - 1 1/16" - 12 UN												
FG100 G 1"	FN100 1" NPT	FS016 SAE 16 - 1 5/16" - 12 UN												
FG114 G 1 1/4"	FN114 1 1/4" NPT	FS020 SAE 20 - 1 5/8" - 12 UN												
Additional connections														
0 Without additional connections														
Connections for clogging indicator														
3T With left indicator connection, with metal plug														
Additional features														
DA With diffuser														
DE With diffuser and magnetic filter														
MA With magnetic filter														
NN Without additional features														
Execution														
P01 Standard catalogue item														
Certificates														
NN None														

CLOGGING INDICATORS

See pages 776-777

BVA Axial pressure gauge	BEA Electrical pressure indicator
BVR Radial pressure gauge	BEM Electrical pressure indicator
BVP Visual pressure indicator with automatic reset	BLA Electrical / visual pressure indicator
BVQ Visual pressure indicator with manual reset	

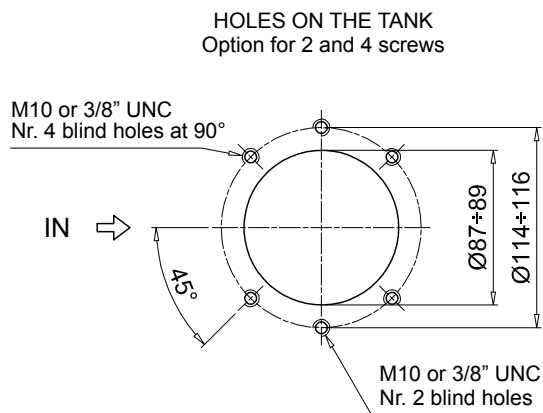
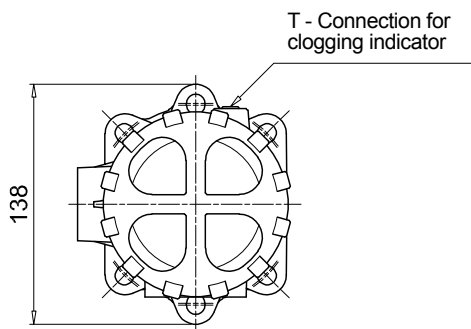
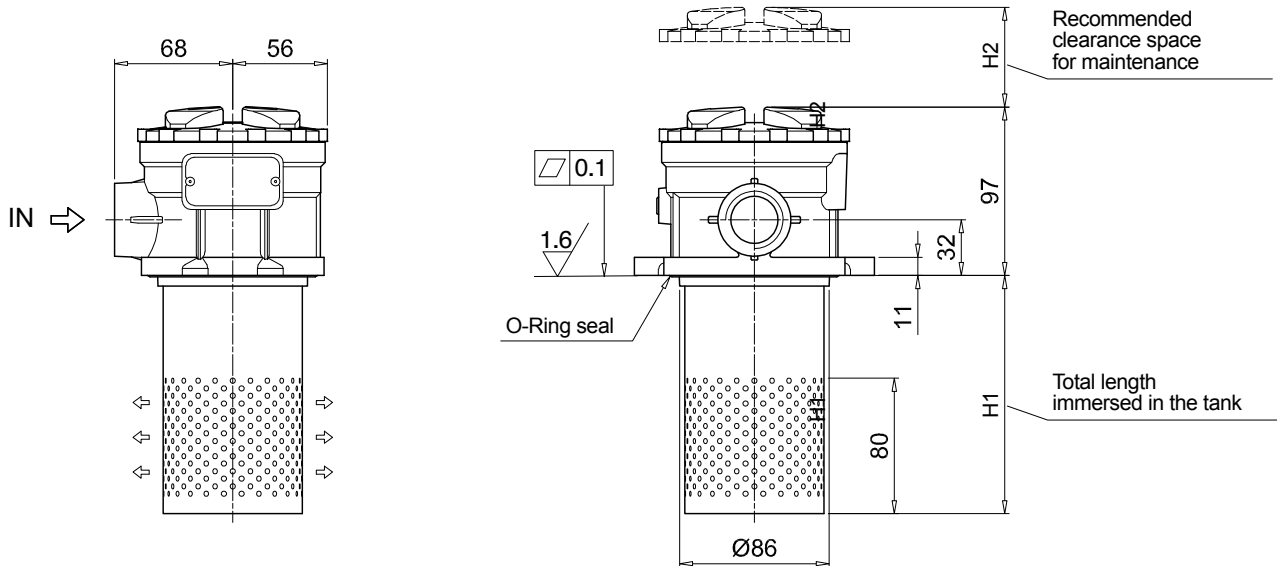
ACCESSORIES

See page 270

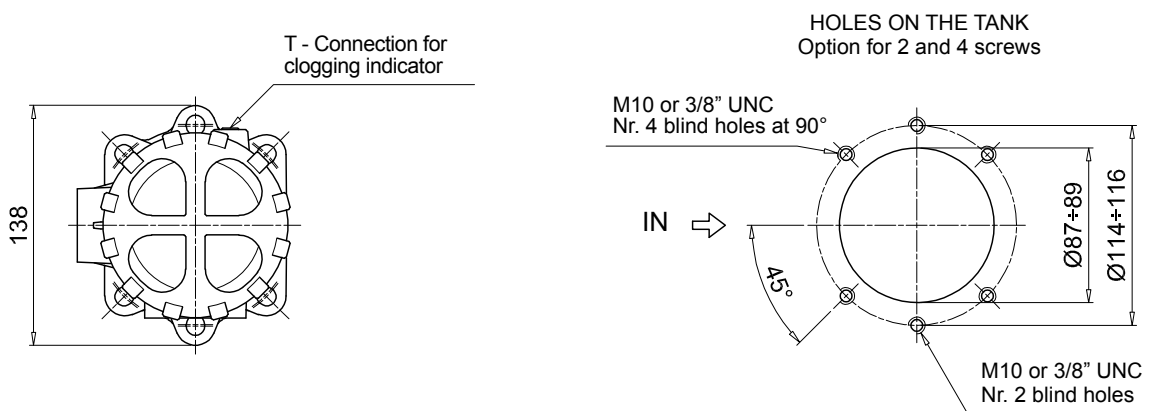
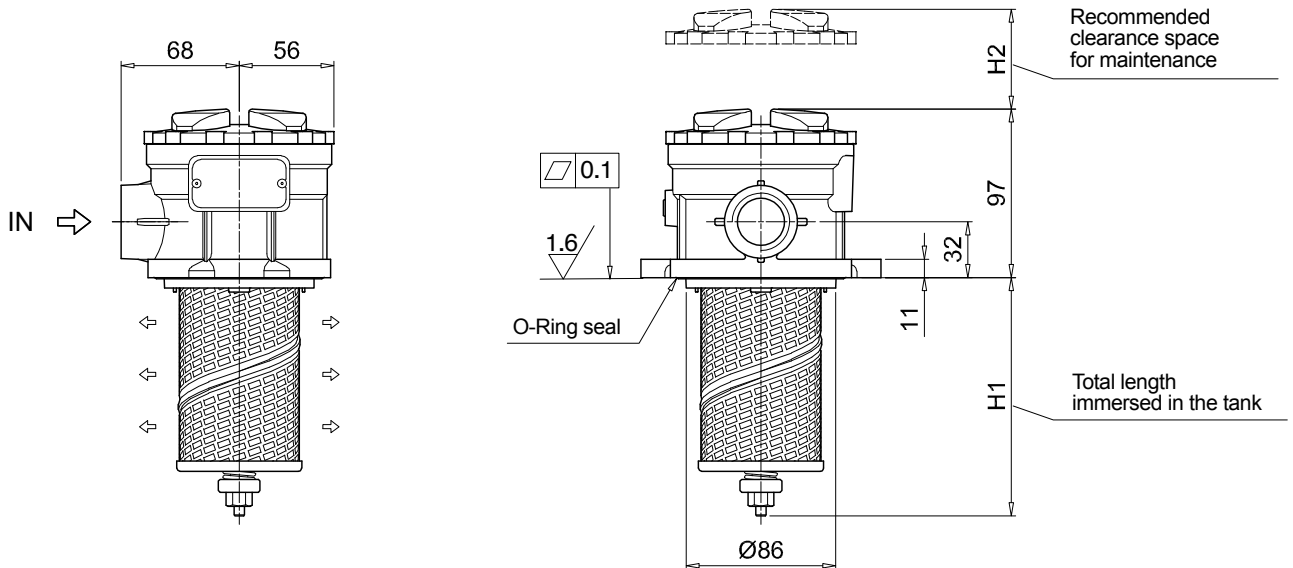
DPT Dipstick

FILTER ELEMENT										
Series MRC	Example: MRC 100 50 A0025 D A 00 NN P01 NN									
Size 100										
Length 10 20 30 40 50										
Filtration rating (filter media)										
A0003 Inorganic microfiber 3 µm										
A0006 Inorganic microfiber 6 µm										
A0010 Inorganic microfiber 10 µm										
A0016 Inorganic microfiber 16 µm										
A0025 Inorganic microfiber 25 µm										
M0025 Wire mesh 25 µm										
M0060 Wire mesh 60 µm										
M0090 Wire mesh 90 µm										
P0010 Resin impregnated paper 10 µm										
P0025 Resin impregnated paper 25 µm										
Element Δp D 10 bar										
Seals and treatments										
A NBR										
V FPM										
Bypass 00 Without bypass										
Additional features NN Without additional features										
Execution P01 Standard catalogue item										
Certificates NN None										

MPHC116				
Additional features DA / DE		with diffuser		
Connection	T	Filter length	H1 [mm]	H2 [mm]
FG034	G 1/8"	10	190	255
FG100		20	190	255
FG114		30	240	305
FN034	1/8" NPT	40	340	405
FN100		50	440	505
FN114				
FS012	1/8" NPT			
FS016				
FS020				



MPHC116				
Additional features MA / NN		without diffuser		
Connection	T	Filter length	H1 [mm]	H2 [mm]
FG034	G 1/8"	10	131	190
FG100		20	175	235
FG114		30	225	285
FN034	1/8" NPT	40	325	385
FN100		50	425	485
FN114				
FS012	1/8" NPT			
FS016				
FS020				



Designation & Ordering code

COMPLETE FILTER

Series	Example: MPHC	120	50	A0025	D	W	17	FS012	1	6T	DA	P01	NN
MPHC													
Size													
120													
Length													
10 20 30 40 50													
Filtration rating (filter media)													
A0003	Inorganic microfiber	3 µm											
A0006	Inorganic microfiber	6 µm											
A0010	Inorganic microfiber	10 µm											
A0016	Inorganic microfiber	16 µm											
A0025	Inorganic microfiber	25 µm											
M0025	Wire mesh	25 µm											
M0060	Wire mesh	60 µm											
M0090	Wire mesh	90 µm											
P0010	Resin impregnated paper	10 µm											
P0025	Resin impregnated paper	25 µm											
					Element Δp								
					D	10 bar							
Seals and treatments					A0xxx	M0xxx	P0xxx						
A	NBR				•	•	•						
V	FPM				•	•	•						
W	NBR with filter and components surface treatment				•	•	-						
Z	FPM with filter and components surface treatment				•	•	-						
By-pass valve													
00	Without bypass												
17	With bypass 1.75 bar												
25	With bypass 2.5 bar												
Connections													
FG034	G 3/4"		FN034	3/4" NPT		FS012	SAE 12 - 1 1/16" - 12 UN						
FG100	G 1"		FN100	1" NPT		FS016	SAE 16 - 1 5/16" - 12 UN						
FG114	G 1 1/4"		FN114	1 1/4" NPT		FS020	SAE 20 - 1 5/8" - 12 UN						
Additional connections													
1	Main connection	FG034 FG100 FN114	G 3/8"	Main connection	FN034 FN100 FN114	3/8" NPT	Main connection	FS012 FS016 FS020	SAE 6 - 9/16" 18 UNF				
2	Main connection	FG034 FG100 FN114	G 1/2"	Main connection	FN034 FN100 FN114	1/2" NPT	Main connection	FS012 FS016 FS020	SAE 8 - 3/4" 16 UNF				
Connections for clogging indicator													
6T	With both side indicator connections, with metal plugs												
Additional features													
DA	With diffuser												
DE	With diffuser and magnetic filter												
MA	With magnetic filter												
NN	Without additional features												
Execution													
P01	Standard catalogue item												
Certificates													
NN	None												

CLOGGING INDICATORS

See pages 776-777

BVA	Axial pressure gauge	BEA	Electrical pressure indicator
BVR	Radial pressure gauge	BEM	Electrical pressure indicator
BVP	Visual pressure indicator with automatic reset	BLA	Electrical / visual pressure indicator
BVQ	Visual pressure indicator with manual reset		

ACCESSORIES

See page 270

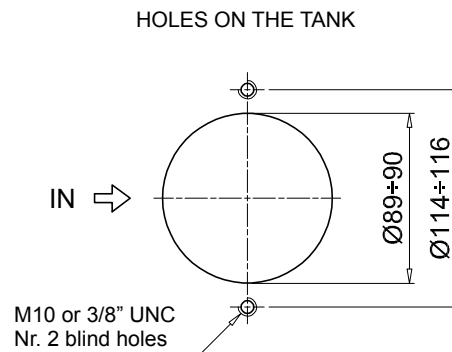
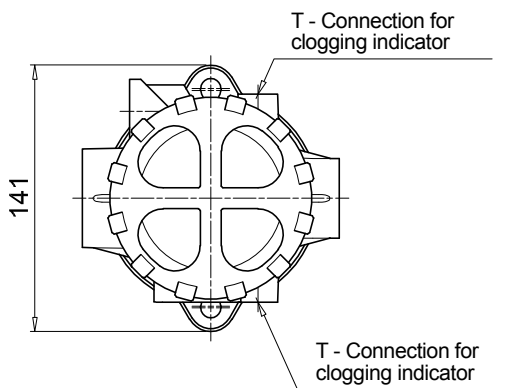
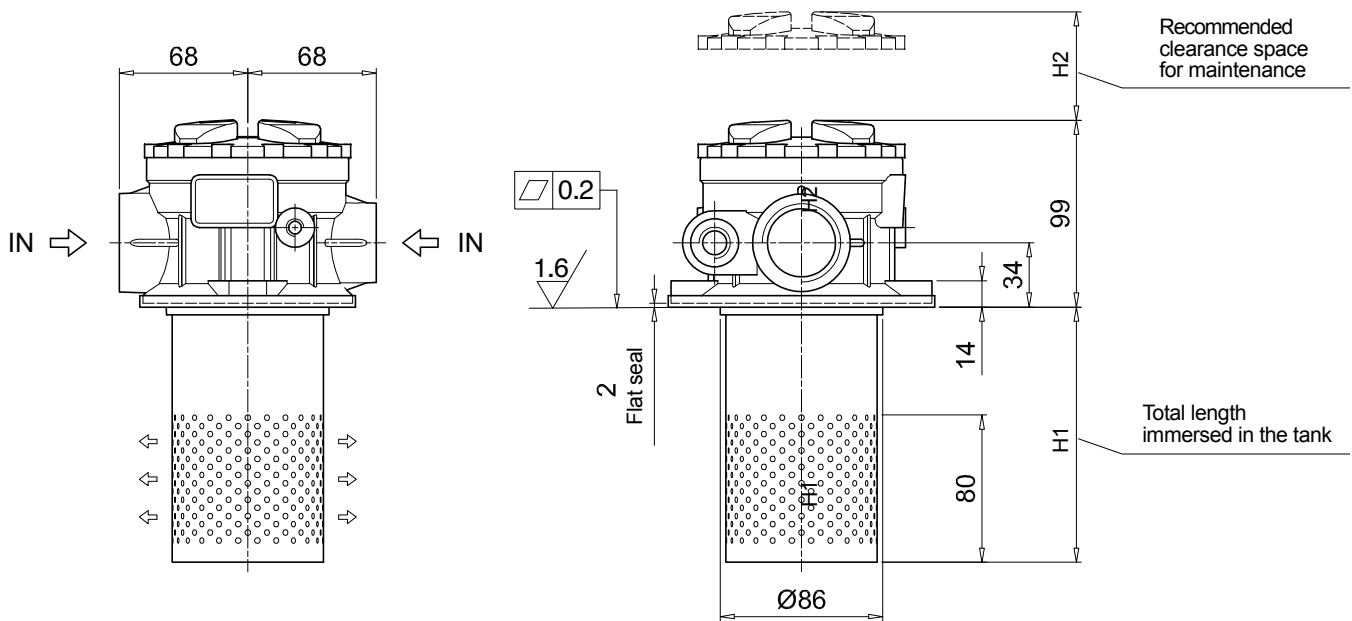
DPT	Dipstick
------------	----------

FILTER ELEMENT										
Series MRC	Example: MRC 100 50 A0025 D A 00 NN P01 NN									
Size 100										
Length 10 20 30 40 50										
Filtration rating (filter media)										
A0003 Inorganic microfiber 3 µm										
A0006 Inorganic microfiber 6 µm										
A0010 Inorganic microfiber 10 µm										
A0016 Inorganic microfiber 16 µm										
A0025 Inorganic microfiber 25 µm										
M0025 Wire mesh 25 µm										
M0060 Wire mesh 60 µm										
M0090 Wire mesh 90 µm										
P0010 Resin impregnated paper 10 µm										
P0025 Resin impregnated paper 25 µm										
Element Δp D 10 bar										
Seals and treatments										
A NBR										
V FPM										
Bypass 00 Without bypass										
Additional features NN Without additional features										
Execution P01 Standard catalogue item										
Certificates NN None										

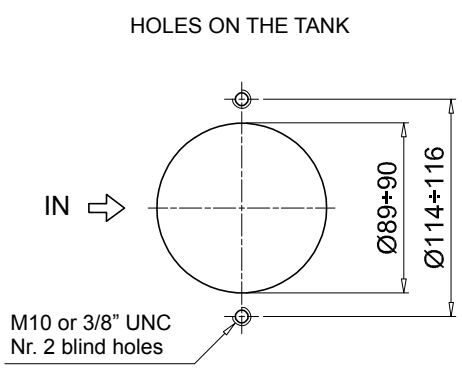
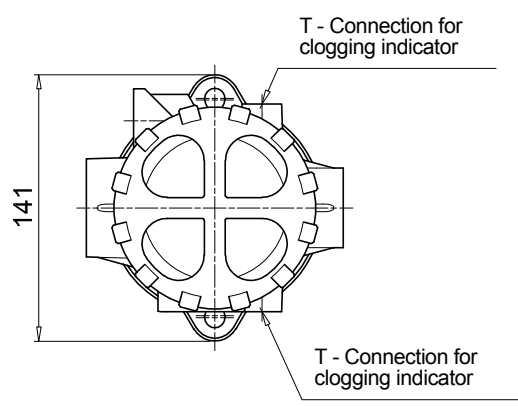
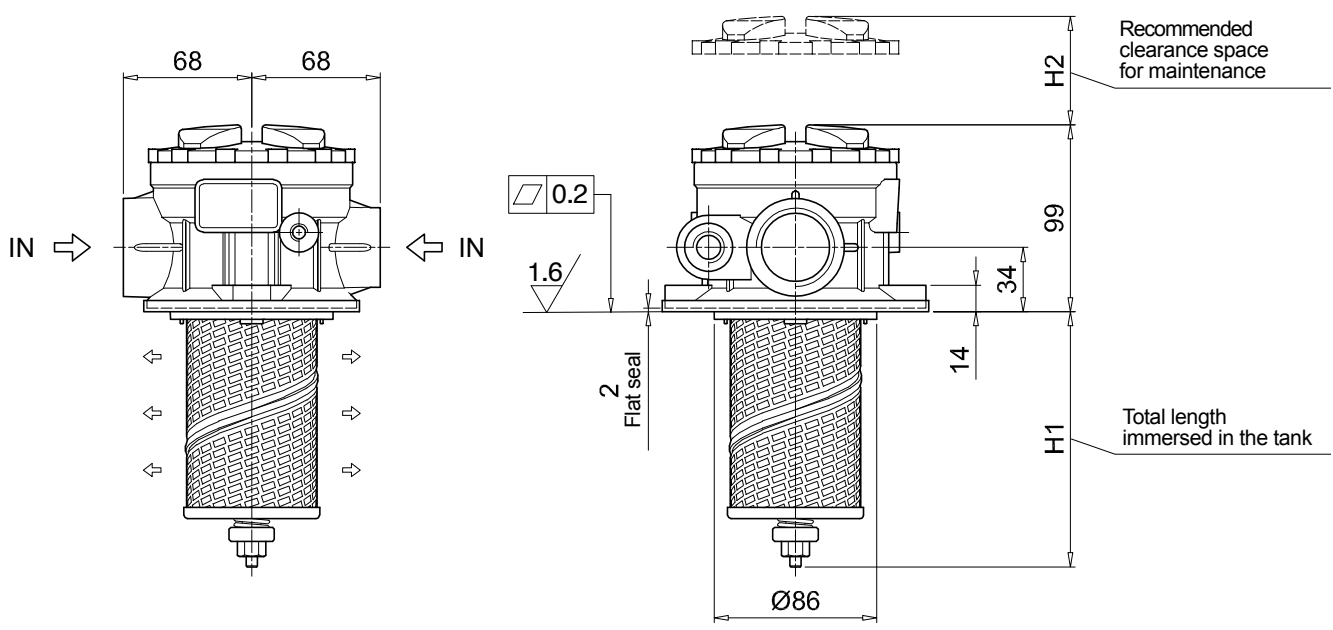
MPHC MPHC120

Dimensions

MPHC120				
Additional features DA / DE		with diffuser		
Connection	T	Filter length	H1 [mm]	H2 [mm]
FG034	G 1/8"	10	188	255
FG100		20	188	255
FG114		30	238	305
FN034	1/8" NPT	40	338	405
FN100		50	438	505
FN114	1/8" NPT			
FS012				
FS016				
FS020				



MPHC120				
Additional features MA / NN		without diffuser		
Connection	T	Filter length	H1 [mm]	H2 [mm]
FG034	G 1/8"	10	129	190
FG100		20	173	235
FG114		30	223	285
FN034	1/8" NPT	40	323	385
FN100		50	423	485
FN114				
FS012	1/8" NPT			
FS016				
FS020				

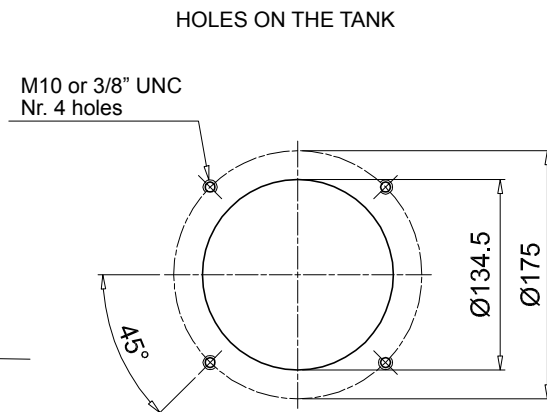
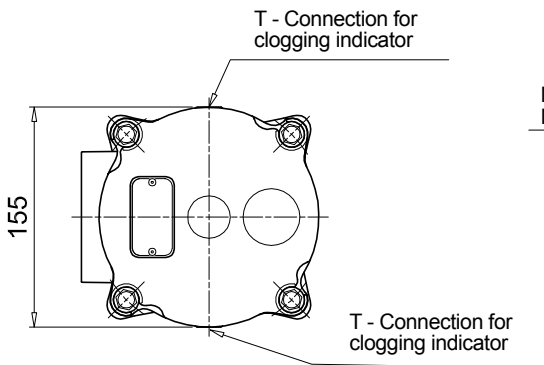
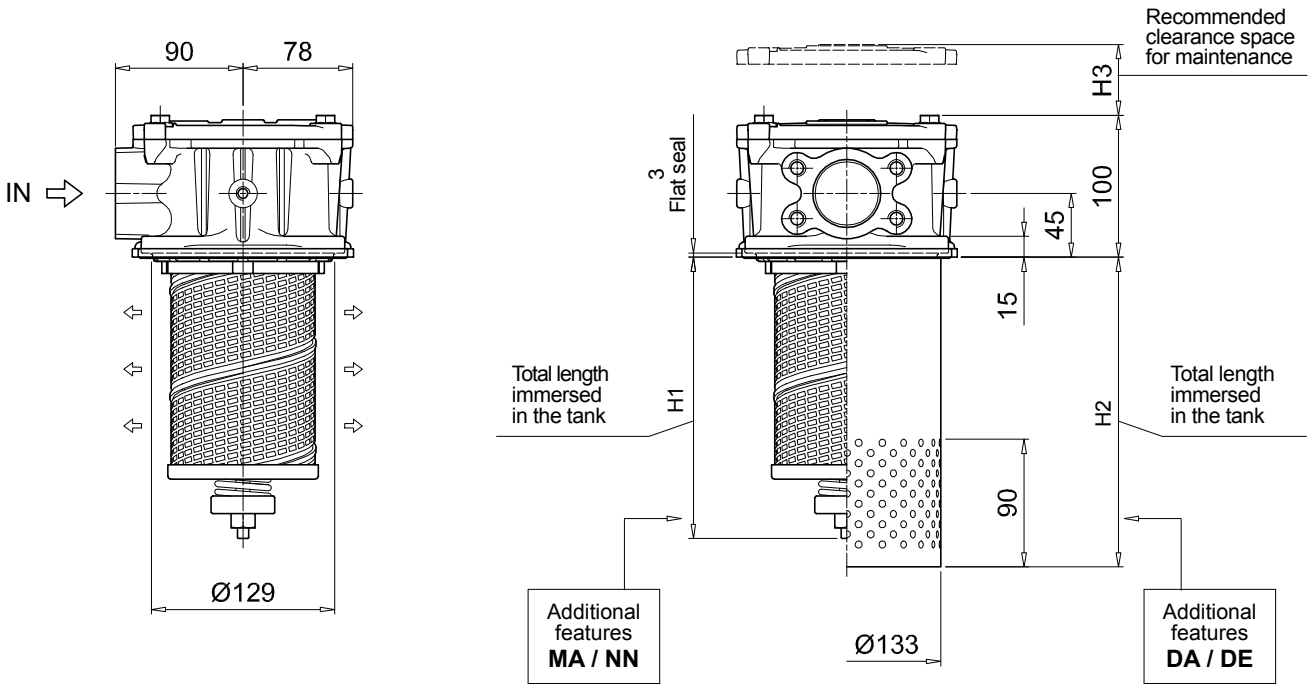


FILTER ELEMENT										
Series MRC	Example: MRC	250	30	M0090	D	V	00	NN	P01	NN
Size 250										
Length 10 20 30 40										
Filtration rating (filter media)										
A0003	Inorganic microfiber	3 µm								
A0006	Inorganic microfiber	6 µm								
A0010	Inorganic microfiber	10 µm								
A0016	Inorganic microfiber	16 µm								
A0025	Inorganic microfiber	25 µm								
M0025	Wire mesh	25 µm								
M0060	Wire mesh	60 µm								
M0090	Wire mesh	90 µm								
P0010	Resin impregnated paper	10 µm								
P0025	Resin impregnated paper	25 µm								
Element Δp D 10 bar										
Seals and treatments										
A NBR										
V FPM										
Bypass 00 Without bypass										
Additional features NN Without additional features										
Execution P01 Standard catalogue item										
Certificates NN None										

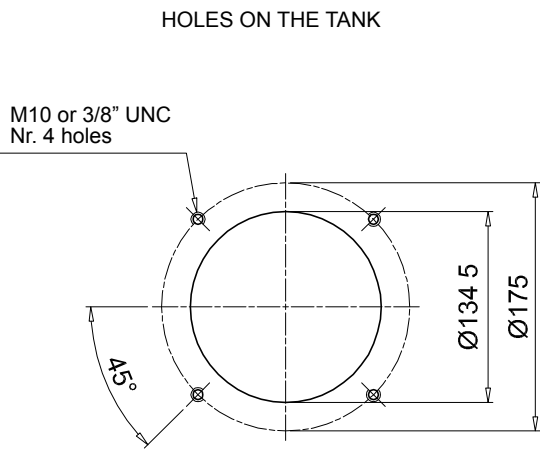
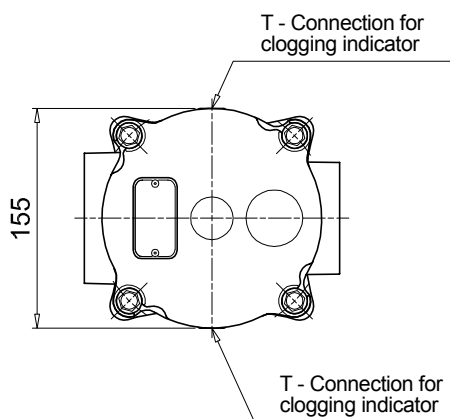
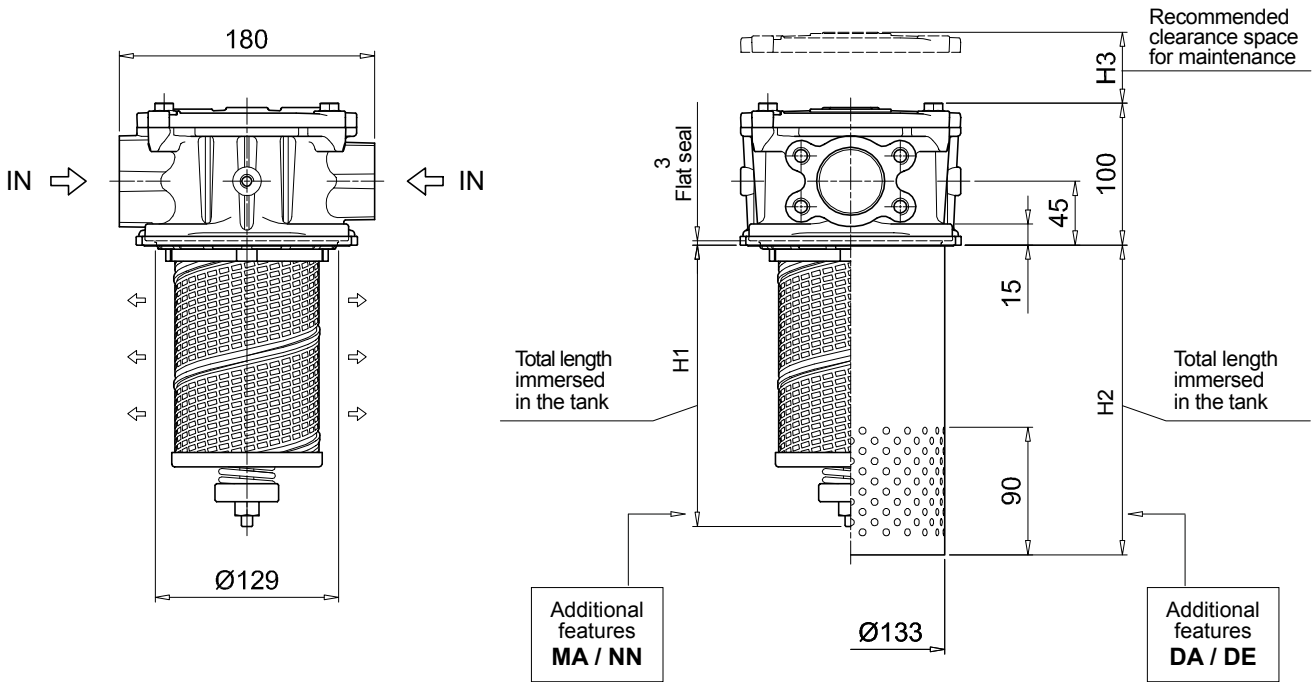
MPHC MPHC250

Dimensions

MPHC250					
Additional connection "O"					
Connection	T	Filter length	H1 [mm]	H2 [mm]	H3 [mm]
FG112	G 1/8"	10	182	247	255
FN112	1/8" NPT	20	231	247	305
FS024	1/8" NPT	30	302	317	375
FE112	G 1/8"	40	502	507	580
FF112	1/8" NPT				



MPHC250					
Additional connection "1"					
Connection	T	Filter length	H1 [mm]	H2 [mm]	H3 [mm]
FG112	G 1/8"	10	182	247	255
FN112	1/8" NPT	20	231	247	305
FS024	1/8" NPT	30	302	317	375
FE112	G 1/8"	40	502	507	580
FF112	1/8" NPT				

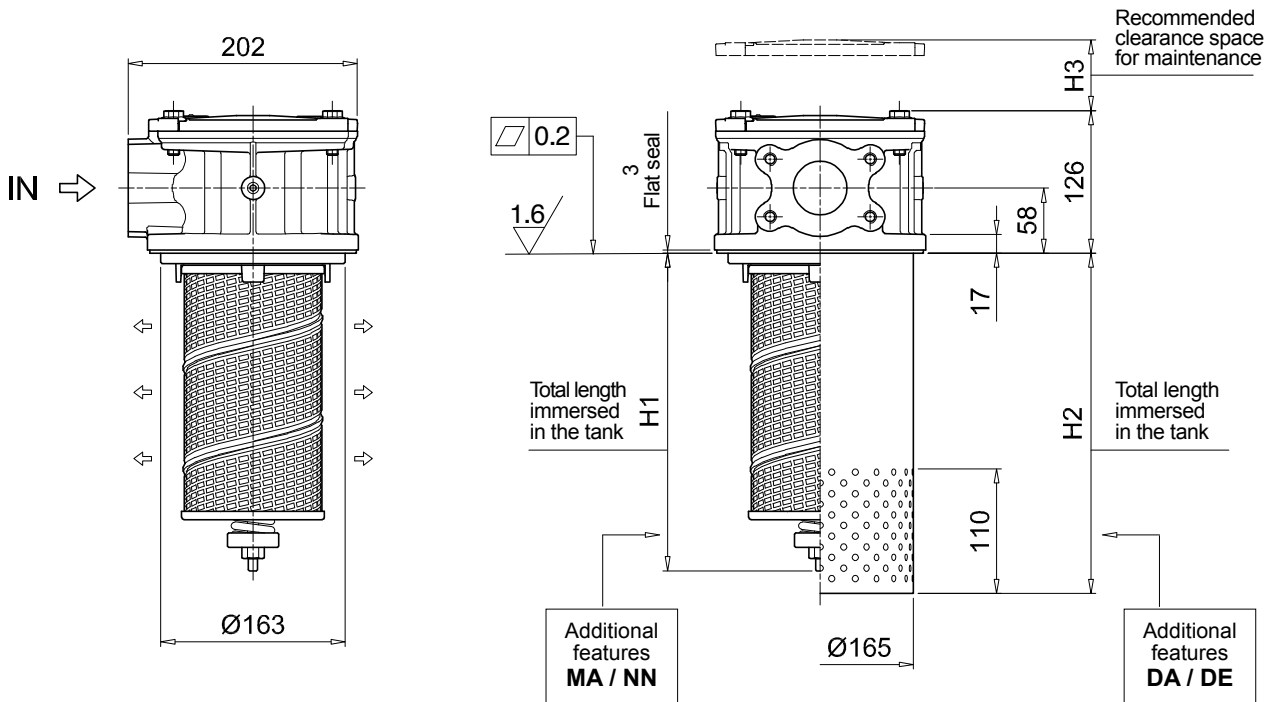


FILTER ELEMENT										
Series MRC	Example: MRC 630 50 A0025 D A 00 NN P01 NN									
Size 630										
Length 10 20 30 40 50										
Filtration rating (filter media)										
A0003	Inorganic microfiber	3 µm								
A0006	Inorganic microfiber	6 µm								
A0010	Inorganic microfiber	10 µm								
A0016	Inorganic microfiber	16 µm								
A0025	Inorganic microfiber	25 µm								
M0025	Wire mesh	25 µm								
M0060	Wire mesh	60 µm								
M0090	Wire mesh	90 µm								
P0010	Resin impregnated paper	10 µm								
P0025	Resin impregnated paper	25 µm								
Element Δp D 10 bar										
Seals and treatments										
A	NBR									
V	FPM									
Bypass 00 Without bypass										
Additional features NN Without additional features										
Execution P01 Standard catalogue item										
Certificates NN None										

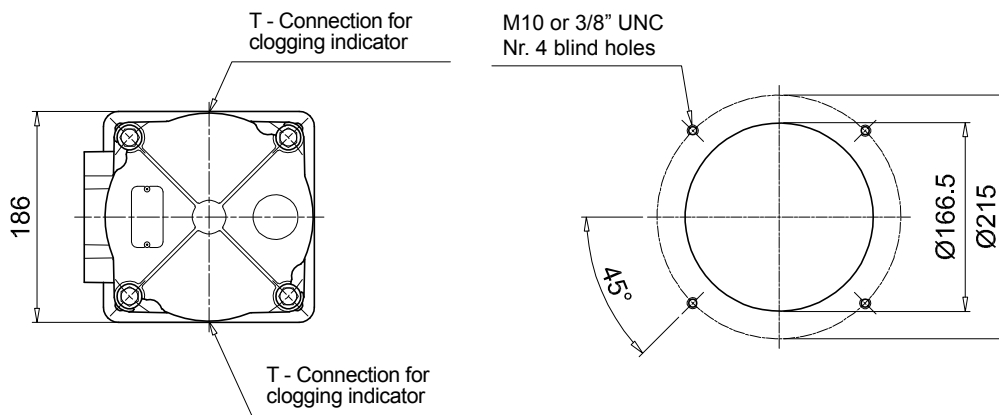
MPHC MPHC630

Dimensions

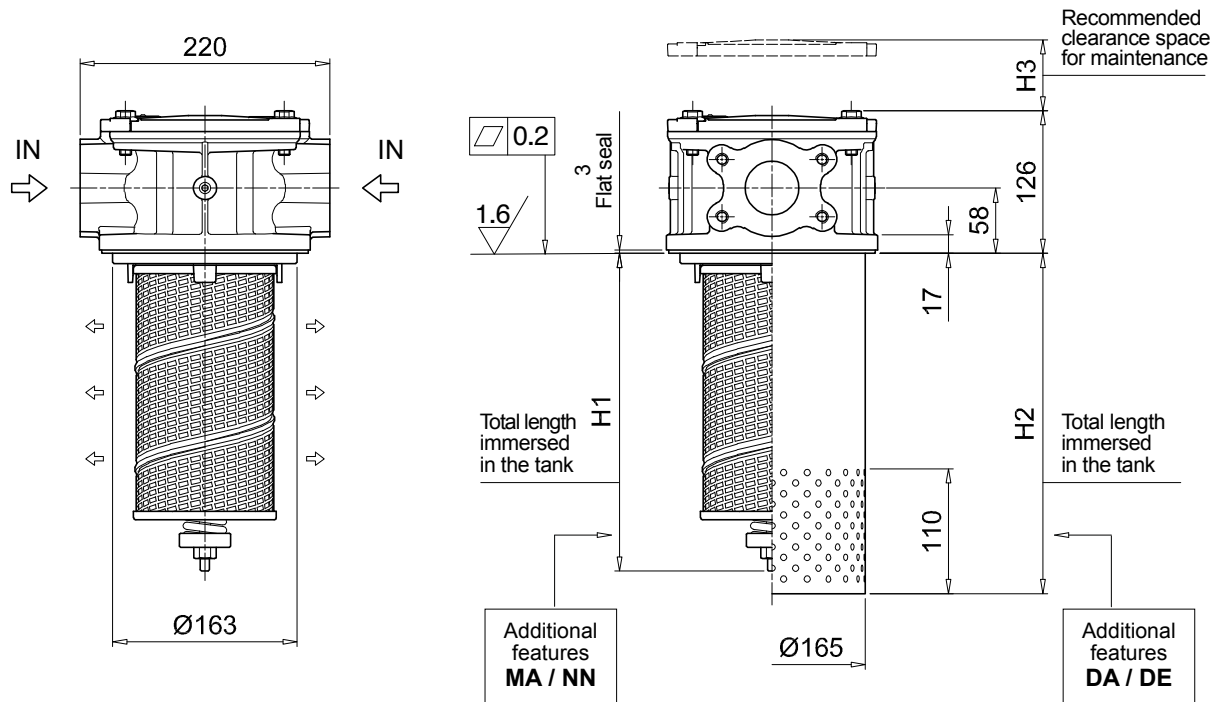
MPHC630					
Additional connection "O"					
Connection	T	Filter length	H1 [mm]	H2 [mm]	H3 [mm]
FE212	G 1/8"	10	260	278	330
FF212	1/8" NPT	20	340	358	410
		30	440	458	510
		40	528	548	600
		50	829	848	900



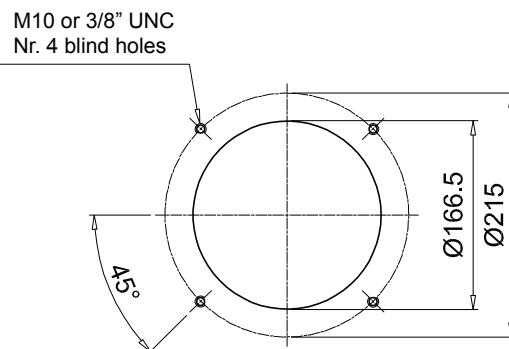
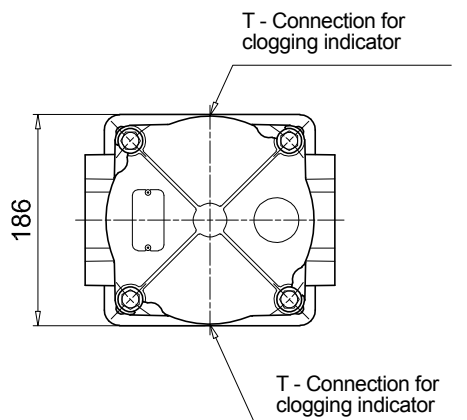
HOLES ON THE TANK



MPHC630					
Additional connection "1"					
Connection	T	Filter length	H1 [mm]	H2 [mm]	H3 [mm]
FE212	G 1/8"	10	260	278	330
FF212	1/8" NPT	20	340	358	410
		30	440	458	510
		40	528	548	600
		50	829	848	900



HOLES ON THE TANK



Designation & Ordering code

COMPLETE FILTER

Series MPHC	Example:	MPHC	660	40	A0025	D	W	17	FE300	0	9T	DA	P01	NN
Size 660														
Length 40 50														
Filtration rating (filter media)														
A0003	Inorganic microfiber	3 µm												
A0006	Inorganic microfiber	6 µm												
A0010	Inorganic microfiber	10 µm												
A0016	Inorganic microfiber	16 µm												
A0025	Inorganic microfiber	25 µm												
M0025	Wire mesh	25 µm												
M0060	Wire mesh	60 µm												
M0090	Wire mesh	90 µm												
P0010	Resin impregnated paper	10 µm												
P0025	Resin impregnated paper	25 µm												
Element Δp														
D 10 bar														
Seals and treatments														
A	NBR		A0xxx	M0xxx	P0xxx									
			•	•	•									
V	FPM		•	•	•									
W	NBR with filter and components surface treatment		•	•	-									
Z	FPM with filter and components surface treatment		•	•	-									
By-pass valve														
00	Without bypass													
17	With bypass 1.75 bar													
25	With bypass 2.5 bar													
Connections														
FE300	3" SAE 3000 psi/M													
FE400	4" SAE 3000 psi/M													
Additional connections														
0	Without additional connections													
Connections for clogging indicator														
9T	With multiple indicator connections, with metal plugs													
Additional features														
DA	With diffuser													
DE	With diffuser and magnetic filter													
MA	With magnetic filter													
NN	Without additional features													
Execution														
P01	Standard catalogue item													
Certificates														
NN	None													

CLOGGING INDICATORS

See pages 776-777

BVA	Axial pressure gauge
BVR	Radial pressure gauge
BVP	Visual pressure indicator with automatic reset
BVQ	Visual pressure indicator with manual reset

BEA	Electrical pressure indicator
BEM	Electrical pressure indicator
BLA	Electrical / visual pressure indicator

ACCESSORIES

See page 270

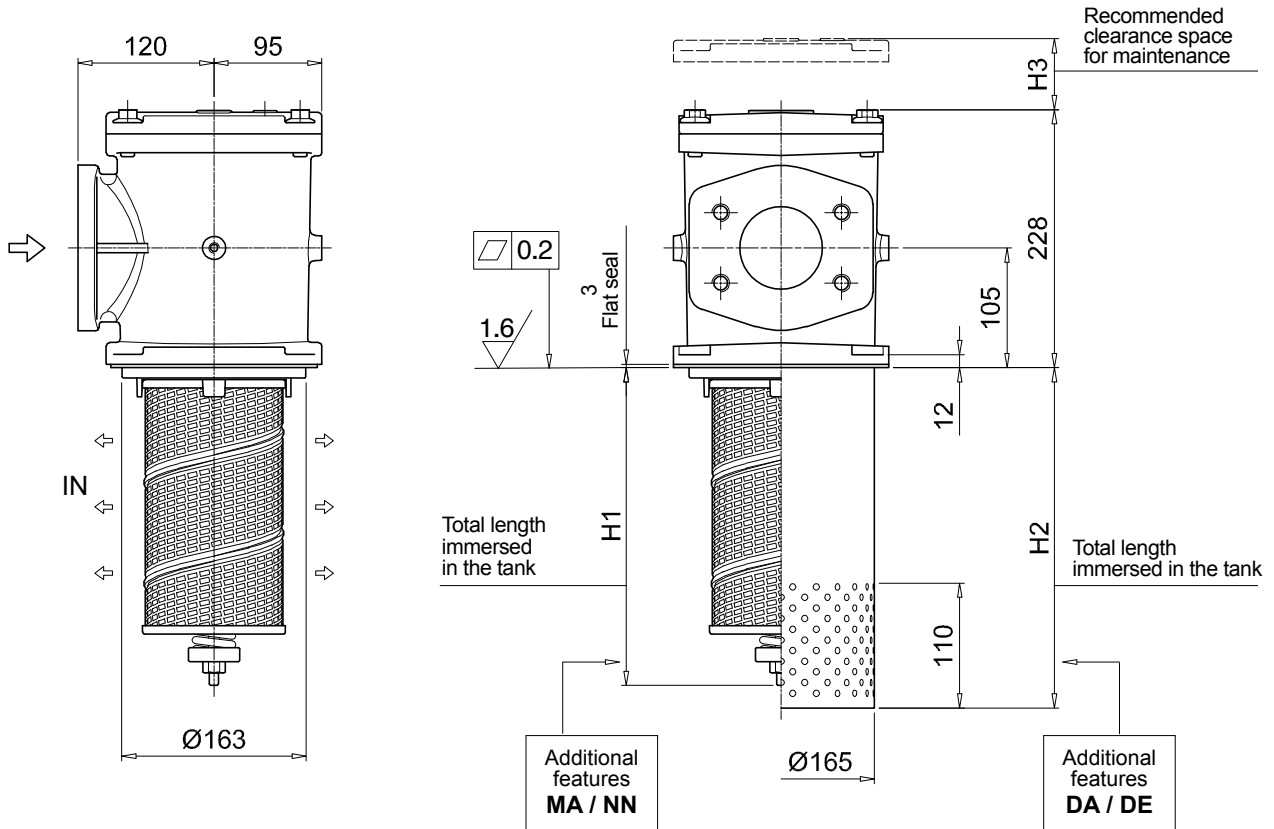
DPT	Dipstick
------------	----------

FILTER ELEMENT		
Series MRC	Example: MRC	630 40 A0025 D A 00 NN P01 NN
Size 630		
Length 40 50		
Filtration rating (filter media)		
A0003	Inorganic microfiber	3 µm
A0006	Inorganic microfiber	6 µm
A0010	Inorganic microfiber	10 µm
A0016	Inorganic microfiber	16 µm
A0025	Inorganic microfiber	25 µm
M0025	Wire mesh	25 µm
M0060	Wire mesh	60 µm
M0090	Wire mesh	90 µm
P0010	Resin impregnated paper	10 µm
P0025	Resin impregnated paper	25 µm
Element Δp D	10 bar	
Seals and treatments		
A	NBR	
V	FPM	
Bypass 00	Without bypass	
Additional features NN	Without additional features	
Execution P01	Standard catalogue item	
Certificates NN	None	

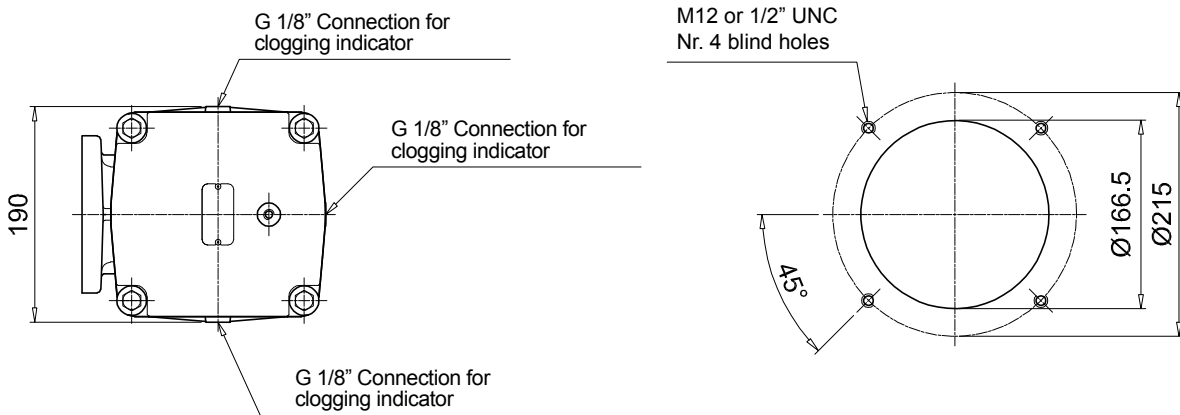
MPHC MPHC660

Dimensions

MPHC660			
Filter length	H1 [mm]	H2 [mm]	H3 [mm]
40	538	548	610
50	838	848	910



HOLES ON THE TANK

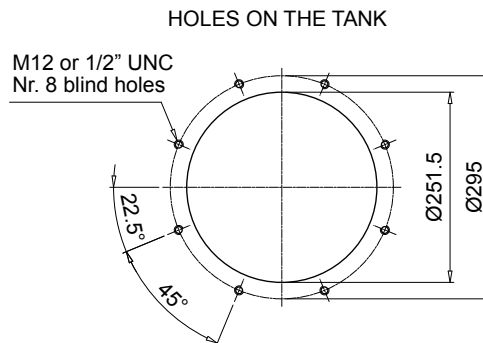
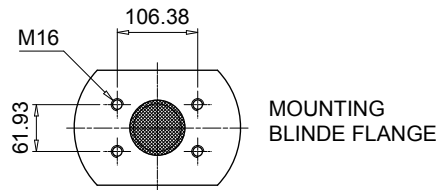
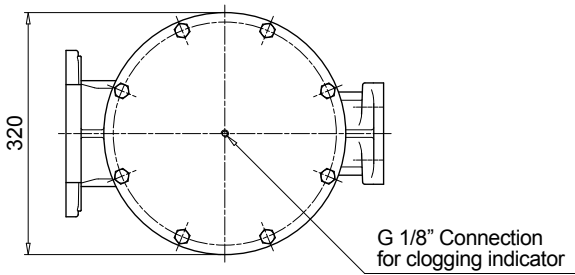
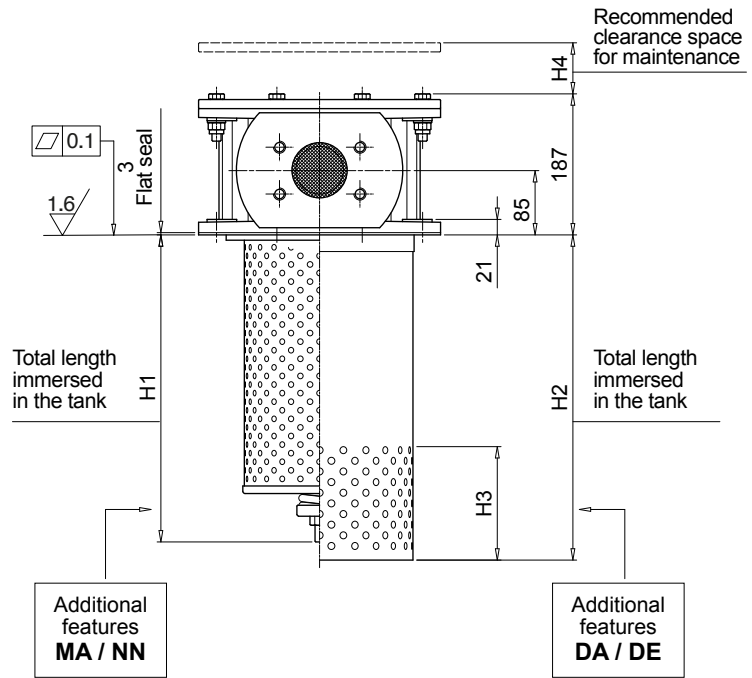
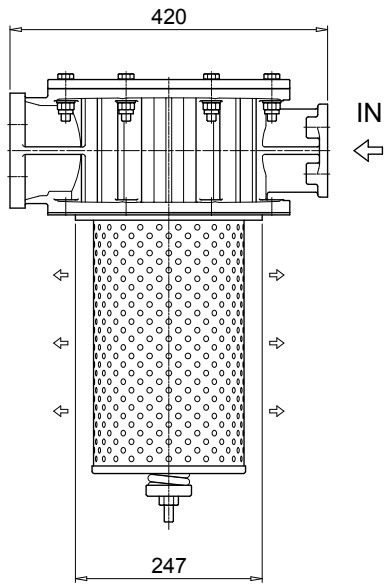


FILTER ELEMENT										
Series MRC	Example: MRC	850	20	A0025	D	A	00	NN	P01	NN
Size 850										
Length 10 20 30 40										
Filtration rating (filter media)										
A0003	Inorganic microfiber	3 µm								
A0006	Inorganic microfiber	6 µm								
A0010	Inorganic microfiber	10 µm								
A0016	Inorganic microfiber	16 µm								
A0025	Inorganic microfiber	25 µm								
M0025	Wire mesh	25 µm								
M0060	Wire mesh	60 µm								
M0090	Wire mesh	90 µm								
P0010	Resin impregnated paper	10 µm								
P0025	Resin impregnated paper	25 µm								
Element Δp D 10 bar										
Seals and treatments										
A NBR										
V FPM										
Bypass 00 Without bypass										
Additional features NN Without additional features										
Execution P01 Standard catalogue item										
Certificates NN None										

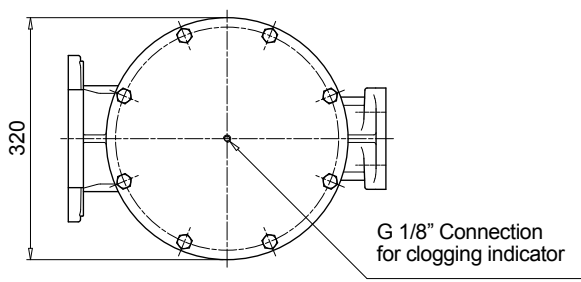
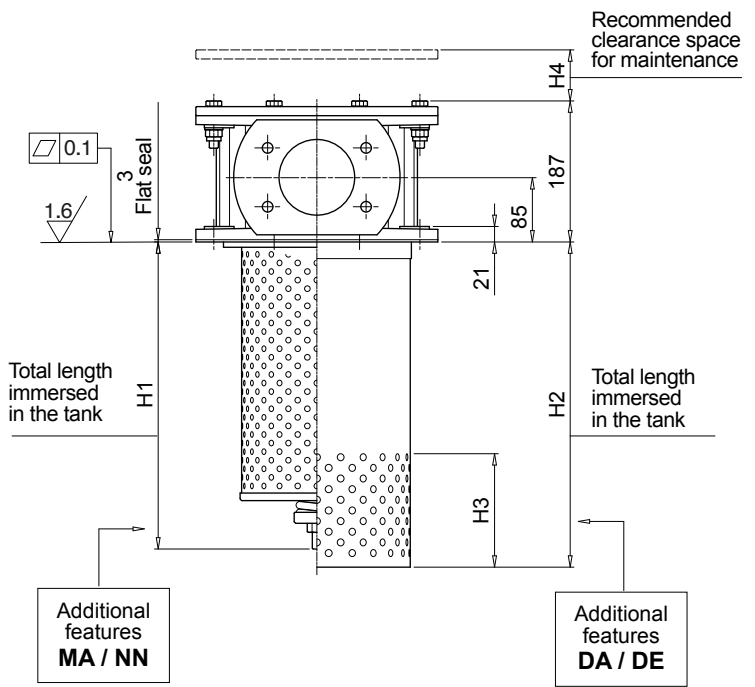
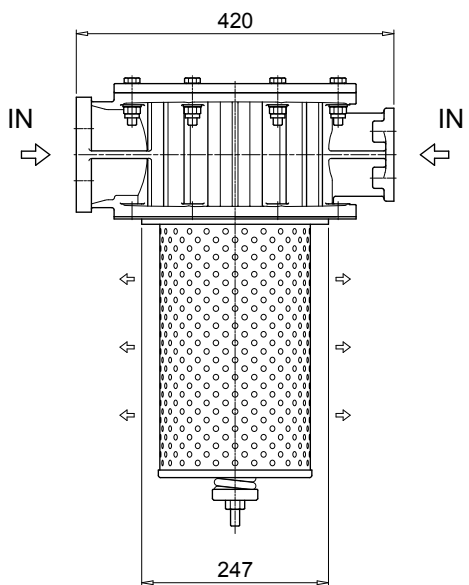
MPHC MPHC850

Dimensions

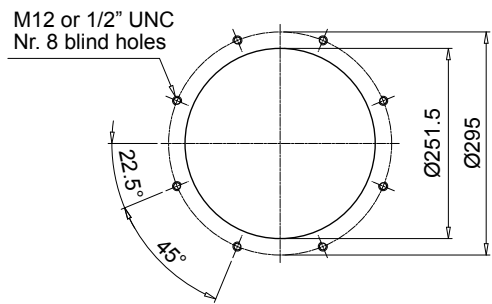
MPHC850				
Additional connection "O"				
Filter length	H1 [mm]	H2 [mm]	H3 [mm]	H4 [mm]
10	383	419	150	515
20	598	634	150	730
30	878	914	250	1010
40	1143	1179	250	1275



MPHC850				
Additional connection "1"				
Filter length	H1 [mm]	H2 [mm]	H3 [mm]	H4 [mm]
10	383	419	150	515
20	598	634	150	730
30	878	914	250	1010
40	1143	1179	250	1275



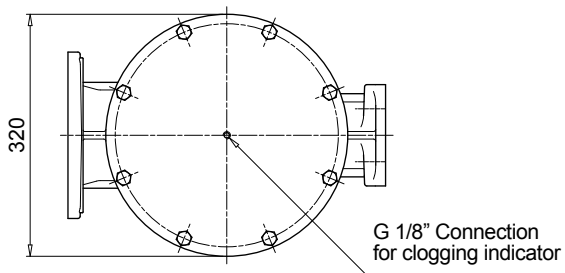
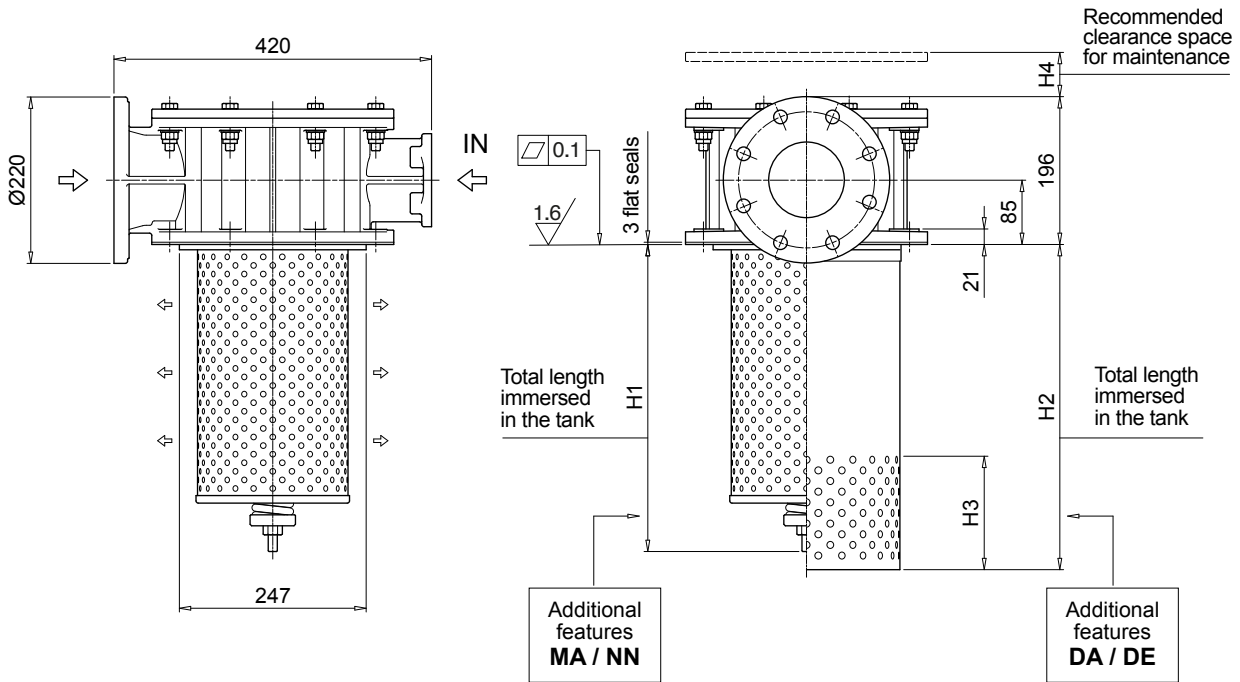
HOLES ON THE TANK



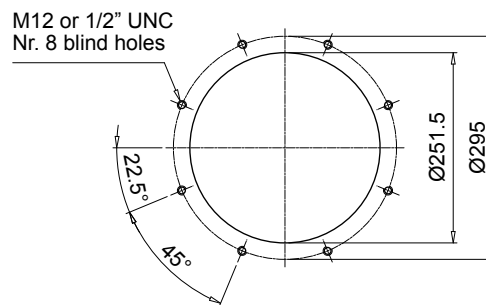
MPHC MPHC850

Dimensions

MPHC850				
Additional connection "2"				
Filter length	H1 [mm]	H2 [mm]	H3 [mm]	H4 [mm]
10	383	419	150	510
20	598	634	150	725
30	878	914	250	1005
40	1143	1179	250	1270



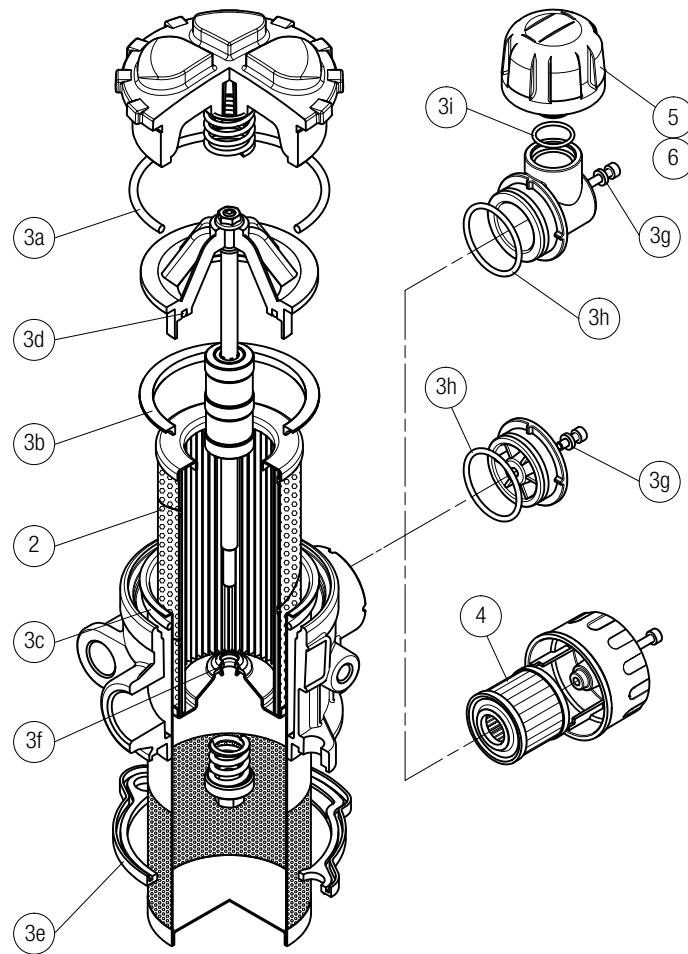
HOLES ON THE TANK



MPHC SPARE PARTS

Order number for spare parts

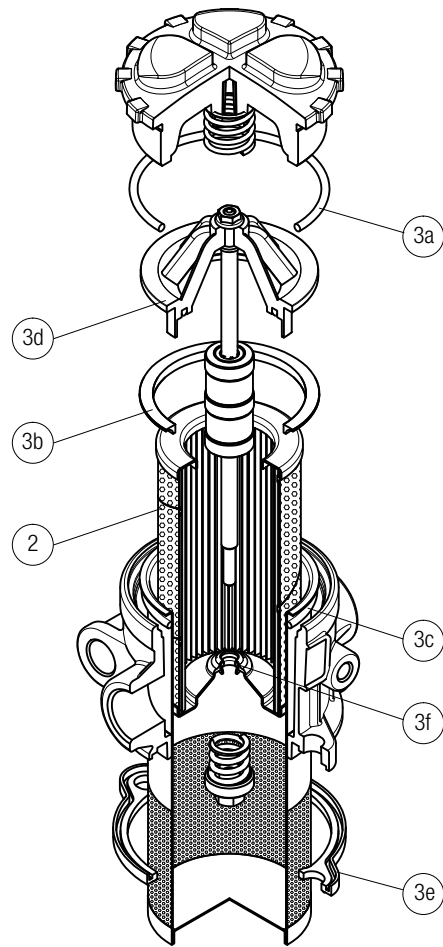
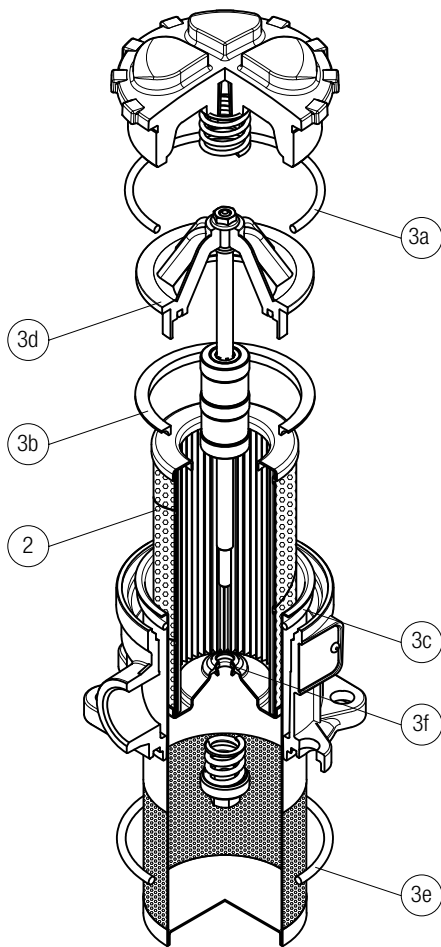
MPHC 110 - 114



Item:	Q.ty: 1 pc.	Q.ty: 1 pc.		Q.ty: 1 pc.	Q.ty: 1 pc.	
Filter series	Filter element	Seal Kit code number		Air breather filter element - version:		
MPHC 110	See order table	NBR	FPM	C	D	P
		02050565	02050566	10 µm	10 µm	10 µm
MPHC 114		02050582	02050583	A3L03	SAP50G3L03A0P01	SAP50G3L03A1P01

MPHC 116

MPHC 120

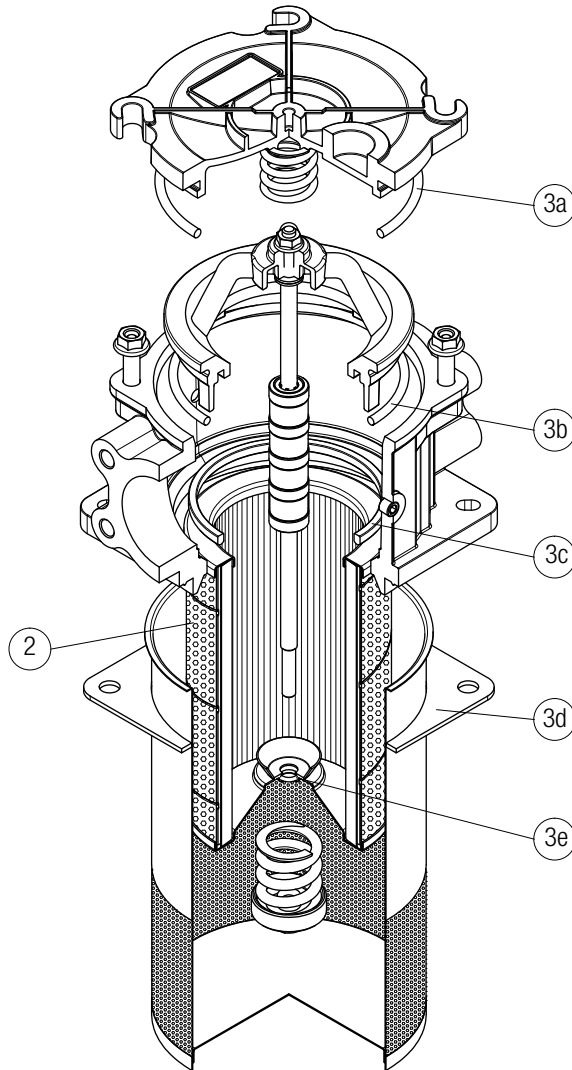


Item:	Q.ty: 1 pc.	Q.ty: 1 pc.	
Filter series	Filter element	Seal Kit code number	
MPHC 116	See order table	NBR	FPM
		02050741	02050742
MPHC 120		02050567	02050568

MPHC SPARE PARTS

Order number for spare parts

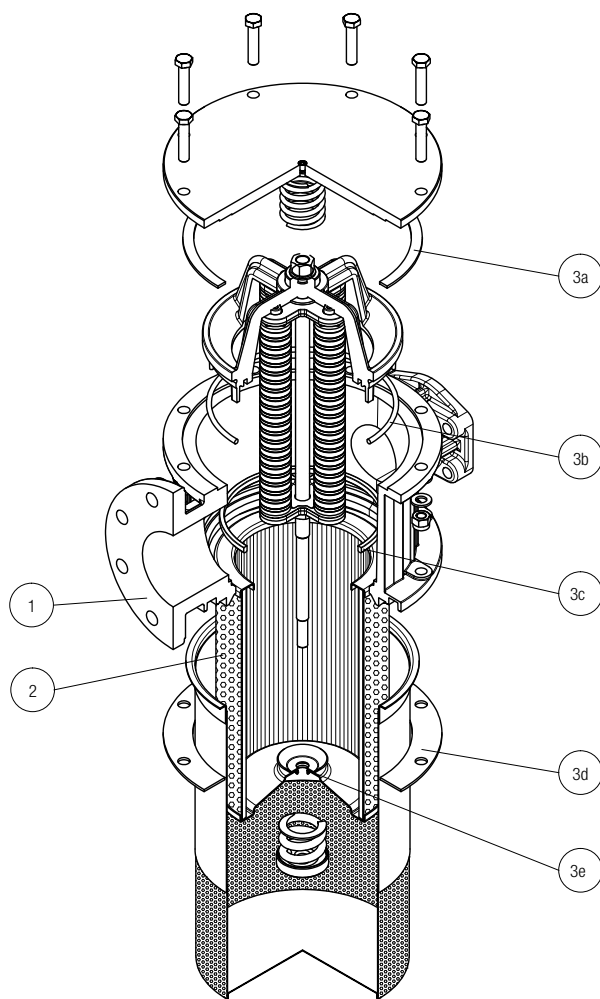
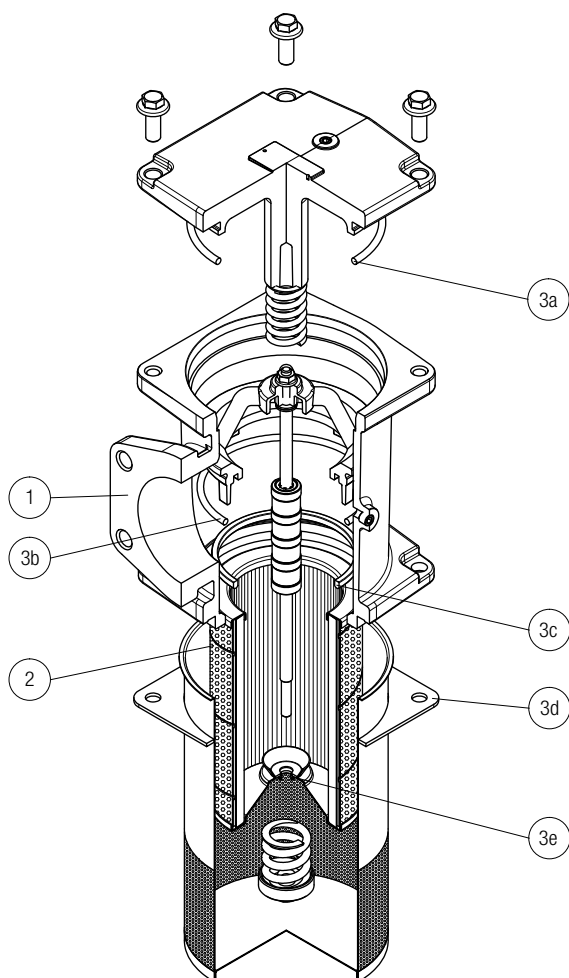
MPHC 250 - 630



Item:	Q.ty: 1 pc.	Q.ty: 1 pc.	Q.ty: 1 pc.
Filter series	Filter element	Seal Kit code number	
MPHC 250	See order table	NBR	FPM
		02050151	02050152
		02050153	02050154

MPHC 660

MPHC 850



Item:	Q.ty: 1 pc.	Q.ty: 1 pc.	
Filter series	Filter element	Seal Kit code number	
		NBR	FPM
MPHC 660	See order table	02050153	02050154
MPHC 850		02050155	02050156

Accessories

DIFFUSER WITH FAST LOCK CONNECTION

Example: **DFS** **40** **A** **075**

Series	DFS
Size	ØD [mm]
40	40
Version	A Standard
Length	075 75 mm

DIPSTICK

Example: **DPT** **20** **M10** **A** **P01**

Series	DPT
Length	H [mm]
15	134
20	184
25	234
30	284
35	334
Fastening	M8 Fastening with screws ØD = M8
	M10 Fastening with screws ØD = M10
Seals	A NBR
	V FPM
Execution	P01 MP Filtri standard
	Pxx Customized

Materials

- Screw: phosphatized steel
- Stick: phosphatized steel
- Handle: Polyamide

Technical data

Working temperature:
from -25 °C to +110 °C

For any further information, please, contact our commercial dept.

FILLER PLUG

Series

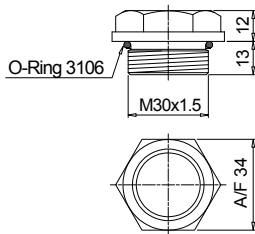
T5

Materials

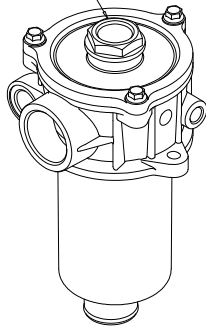
- Body: Polyamide
- Seal: NBR

Technical data

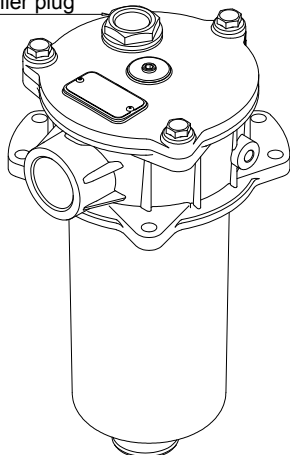
Tightening torque:
15 N·m



Filler plug



Filler plug



POLYAMIDE EXTENSION TUBE

Example: **TE** **40** **A** **250**

Series

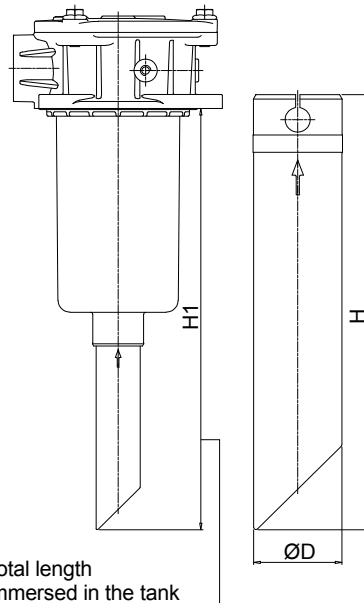
TE

Size	ØD [mm]
25	25
40	40
51	51
62	62

Material

A Polyamide

Length	H [mm]	25-40	51-62
200	200	•	•
250	250	•	-
300	300	•	•
350	350	•	-
400	400	•	•
450	450	•	-
500	500	•	•
600	600	-	•



COMPATIBILITY TABLE

Filter series	Filter size	Filter length	TE25	TE40	TE51	TE62	Tube length H1 [mm]							
							200	250	300	350	400	450	500	600
MPFX	030	10	•	-	-	-	266	316	366	416	466	516	566	-
		10	-	-	-	-	277	327	377	427	477	527	577	-
		20	-	•	-	-	322	372	422	472	522	572	622	-
		30	-	-	-	-	400	450	500	550	600	650	700	-
	100 - 104 - 110	40	-	-	-	-	502	552	602	652	702	752	802	-
		10	-	•	-	-	410	460	510	560	610	660	710	-
	181 - 182 - 184	20	-	-	-	-	623	673	723	773	823	873	923	-
		20	-	-	•	-	620	-	720	-	820	-	920	1020
	191 - 192 - 194	10	-	-	•	-	352	-	452	-	552	-	652	752
		20	-	-	-	•	411	-	511	-	611	-	711	811
400 - 410 - 450	30	-	-	-	•	459	-	559	-	659	-	759	859	
	10	-	-	-	•	597	-	697	-	797	-	897	997	
MPTX	025 - 027	10	•	-	-	-	278	328	378	428	478	528	578	-
		20	-	-	-	-	342	392	442	492	542	592	642	-
		30	-	-	-	-	380	430	480	530	580	630	680	-
		10	-	-	-	-	273	323	373	423	473	523	573	-
	110 - 114 - 116 - 120	20	-	•	-	-	318	368	418	468	518	568	618	-
		30	-	-	-	-	396	446	496	546	596	646	696	-
		40	-	-	-	-	498	548	598	648	698	748	798	-
		10	-	-	-	-	284	334	384	434	484	534	584	-
MFBX	100	20	-	•	-	-	329	379	429	479	529	579	629	-
		30	-	-	-	-	407	457	507	557	607	657	707	-
		40	-	-	-	-	509	559	609	659	709	759	809	-
		10	-	-	-	-	284	334	384	434	484	534	584	-

For any further information, please, contact our commercial dept.