

ELIXIR®

ENHANCE
THE LIFESPAN
OF YOUR MACHINES

**SFEX - RFEX
HFEX - LFEX**



PASSION  PERFORM



THE CONCEPT

Lighter, easier to use, and kinder to the environment - MP Filtri's new ELIXIR low pressure concept filters have been specially designed for in-line connections and to handle working pressures up to **1.6 MPa (16 bar)**.

The concept is now available in three new series:

- SFEX SERIES - Suction
- RFEX SERIES - Return
- HFEX and LFEX SERIES - Delivery, which is equipped with differential indicator (electrical or visual)

The new generation of filters is completely interchangeable with the previous MPS 050/070/100/150 series of the Spin-on range.

The new cast aluminium head and polyamide design reduces weight by 10% compared to the Spin-on range.

Less waste reduces both your carbon footprint and protects the environment. Replacement is fast and easy, just disassemble the bowl with an adjustable wrench, take out the **FEX** filter and replace.

FEATURES & BENEFITS

Hexagonal sealings

New sealing system for enhanced reliability which keeps the O-ring in line with the thread of the bowl - e.g. in vibration applications

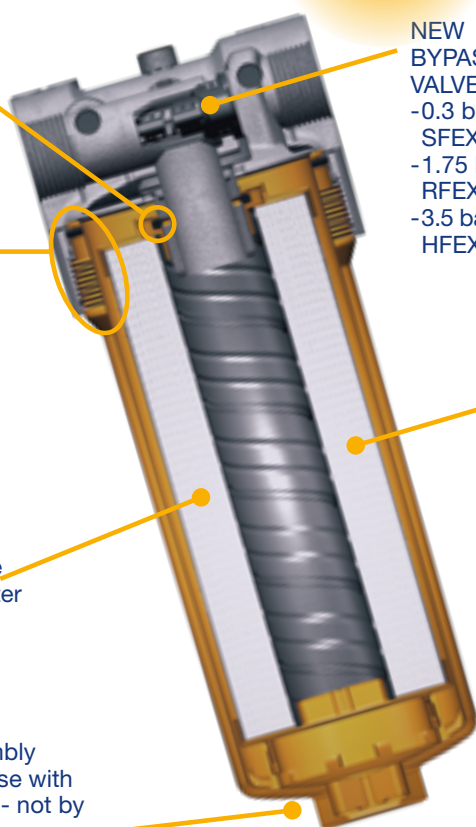
Reduction in oil waste when replacing the filter element

Fast, simple disassembly system. Created for use with an adjustable wrench - not by chain wrench or by strap wrench

NEW BYPASS VALVE

- 0.3 bar suction filter SFEX Series
- 1.75 bar return filter RFEX Series
- 3.5 bar in-line pressure filter HFEX and LFEX Series

The Spin-on disposal includes different components: metal flange, seals, metal bowl, residual oil and metal spring. The **FEX** disposal - the ELIXIR filter element - includes simply the element itself. Kinder to the environment by reducing the amount of waste!





The **FEX** filter element's improved connection system (hexagon and box) reduces leakage so the dirt to the output circuit is reduced



High flow rate thanks to the head geometry: the oil enters in the filter element in a spiral flow and spreads more effectively inside the filter element for greater longevity.



LFE Series: New smaller differential indicator - electrical or visual

APPLICATIONS

MOBILE EQUIPMENT

Agriculture & Forestry

Construction

Materials handling

Waste disposal



INDUSTRIAL

Marine & Offshore

Power Generation
(including renewable energy)



WORLDWIDE NETWORK

CANADA ♦ CHINA ♦ FRANCE ♦ GERMANY ♦ INDIA ♦ SINGAPORE
UNITED ARAB EMIRATES ♦ UNITED KINGDOM ♦ USA



PASSION  PERFORM

in   



mpfiltri.com

Scan or click me!

MP Filtri reserves the right to make modifications to the models and versions of the described products at any time for both technical and/or commercial reasons. For updated information please visit our website: www.mpfiltri.com. The colors and the pictures of the products are purely indicative. Any reproduction, partial or total, of this document is strictly forbidden. All rights are strictly reserved.

MF002000067
EN - 2026.04