

HIGH PRESSURE FILTERS

INSTALLATION,
SERVICE AND
MAINTENANCE
MANUAL
AND SAFETY
INSTRUCTIONS

FHD051



EN

PASSION  PERFORM



TABLE OF CONTENTS

	Page
1. Description	2
2. General warnings	2
3. Tools	3
4. Handling	3
5. Dimensional drawings	4
6. Installation	5
7. Commissioning	5
8. Standard maintenance	6
8.1 Filter element replacement	6
9. Special maintenance	8
9.1 Clogging indicator (or plug) replacement	8
9.2 Seals replacement	9
10. Instructions for use in explosive atmospheres	12
11. Regulations	12
12. Spare parts list	13
13. Ordering code	14
13.1 Filter / Housing / Bowl	14
13.2 Filter element	15
14. Troubleshooting	16
14.1 Misuse of the product	16
14.2 Clogging indicator alarm	16
14.3 Leaks of working fluid	16



Please scan the QR codes to get updated electronic version of the related document.



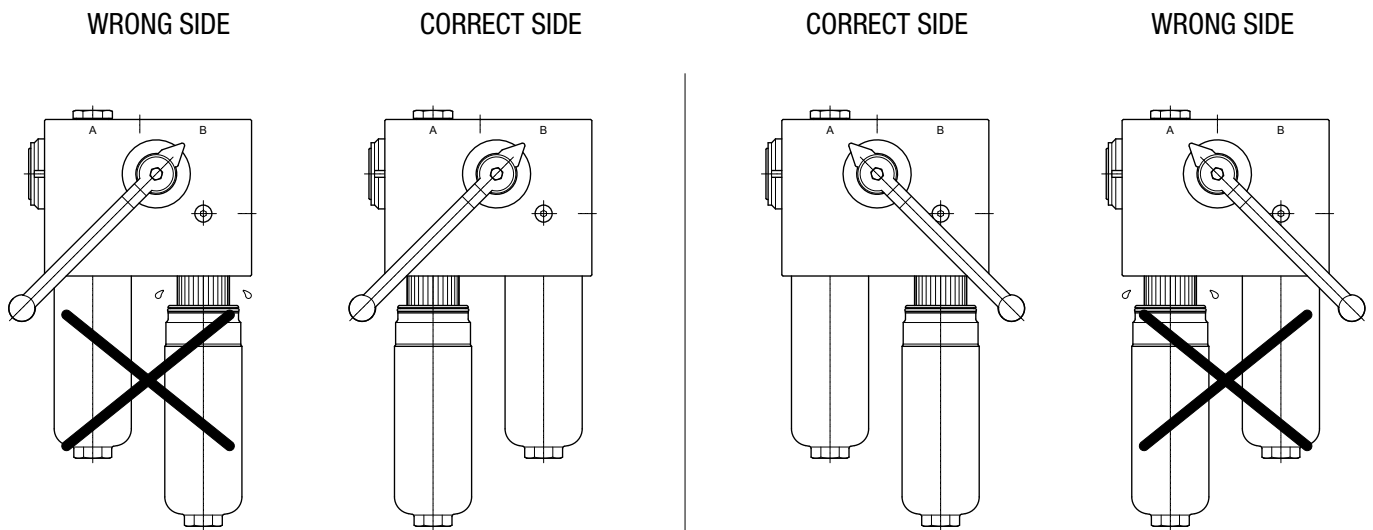
Scan or click me!

1. Description

The hydraulic filters are components used to remove the contaminants from the hydraulic fluids used in the hydraulic systems. maximum pressure up to 350 bar, flow rate up to 60 l/min.

2. General warnings

- Before the installation, use or maintenance of the filter carefully read the manual
- The system and the filter are pressurised! Be sure the system is at ambient pressure before starting any activity
- The fluid temperature inside the system and the filter can cause injuries to personnel or create a hazardous environment
- Any activity must be carried out by trained and certified specialists, they must use the correct protective equipment
- Any activity must be carried out using the correct tool
- Any activity must be carried out in accordance with the laws in force in the country where the system is in operation
- The data shown onto the nameplate must be complete and legible during the whole filter working life
- Connect the filter with an anti-loosening system and regularly check the condition of the connection
- The switching lever is oriented to the side of the filter which is not in operation



- Do not operate the switching lever during the filter element replacement
- The declared performances and the safety of the product are only guaranteed when MP Filtri original spare parts are used
- Warranty is only effective if MP Filtri original spare parts are used.

FHD051

3. Tools

FHD051	TOOLS	TIGHTENING TORQUE
Differential indicator	Wrench A/F 27/30/32	60 N·m
Bowl	Socket wrench A/F 30	60 N·m
Connection G 3/4	Wrench A/F 32	Max 90 N·m
Connection 3/4-11.5 NPT	Wrench A/F 32	Max 100 N·m
Connection G 1/2	Wrench A/F 27	Max 65 N·m
Connection 1/2-14 NPT	Wrench A/F 24	Max 60 N·m
Connection 3/4 - 16 (SAE 8)	Wrench A/F 22	Max 55 N·m
Connection 1 1/16 - 12 (SAE 12)	Wrench A/F 32	Max 100 N·m
Breather plug G 1/8	Allen key A/F 5	12 N·m
Balancing valve G 1/8	Allen key A/F 5	12 N·m
Drain plug G 1/4	Allen key A/F 6	20 N·m
Fastening screws M6	Socket wrench A/F 10	11.3 N·m
Fastening screws 1/4-20 UNC	Socket wrench A/F 7/16" (11)	12.1 N·m

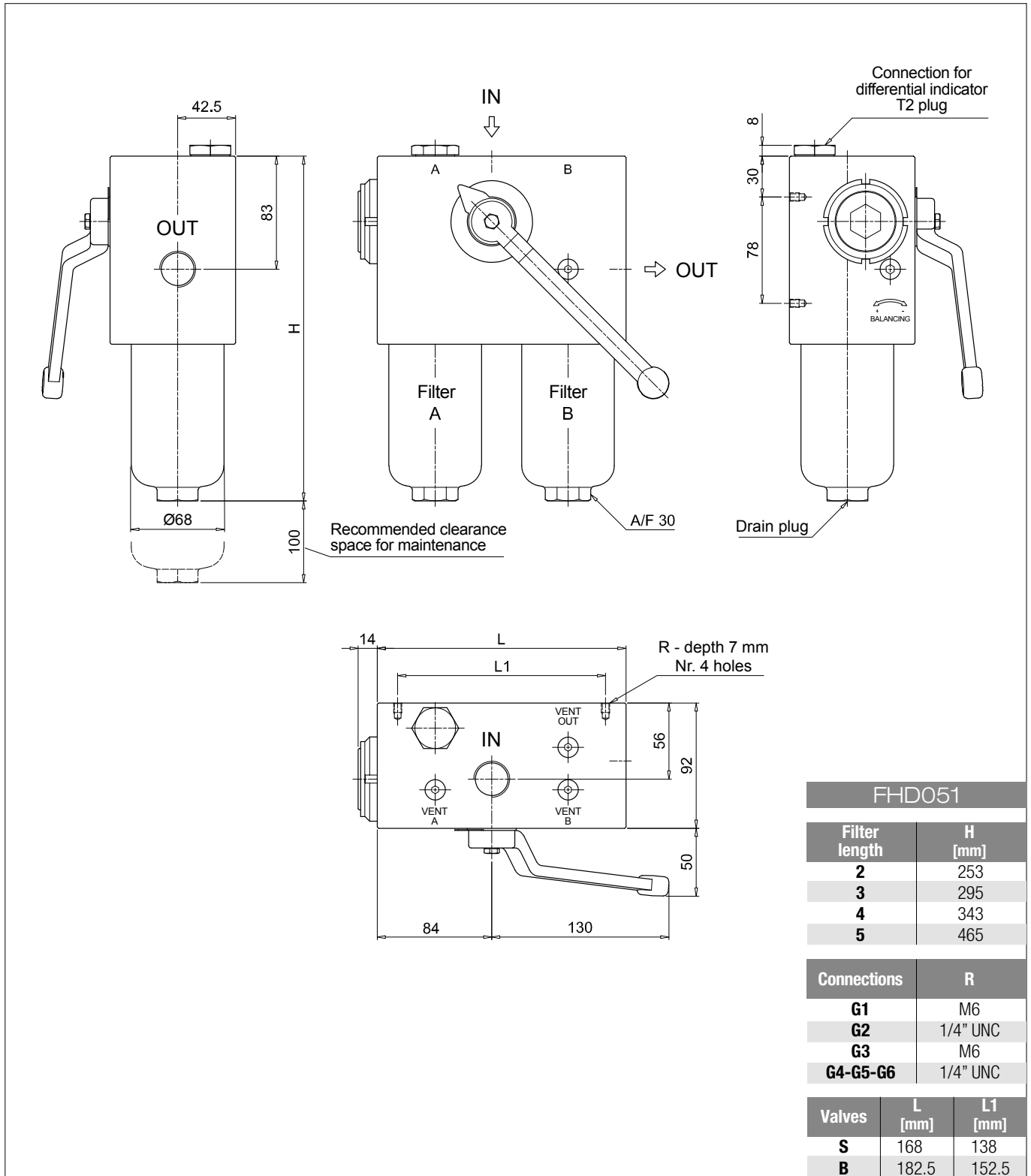
4. Handling

- The unit is shipped in a cardboard box with dimensions depending on the order
- The handling must be carried out in accordance with the laws in force in the country of use of the product
- Handle the product with care, avoid impacts
- Store in a dry and frost-free room
- The unit should be stored in a suitable location away from the production area when not in use. The unit should be stored with the caps provided on the ports and the bowl's protective net, if present. This location should not impede any other production or personnel

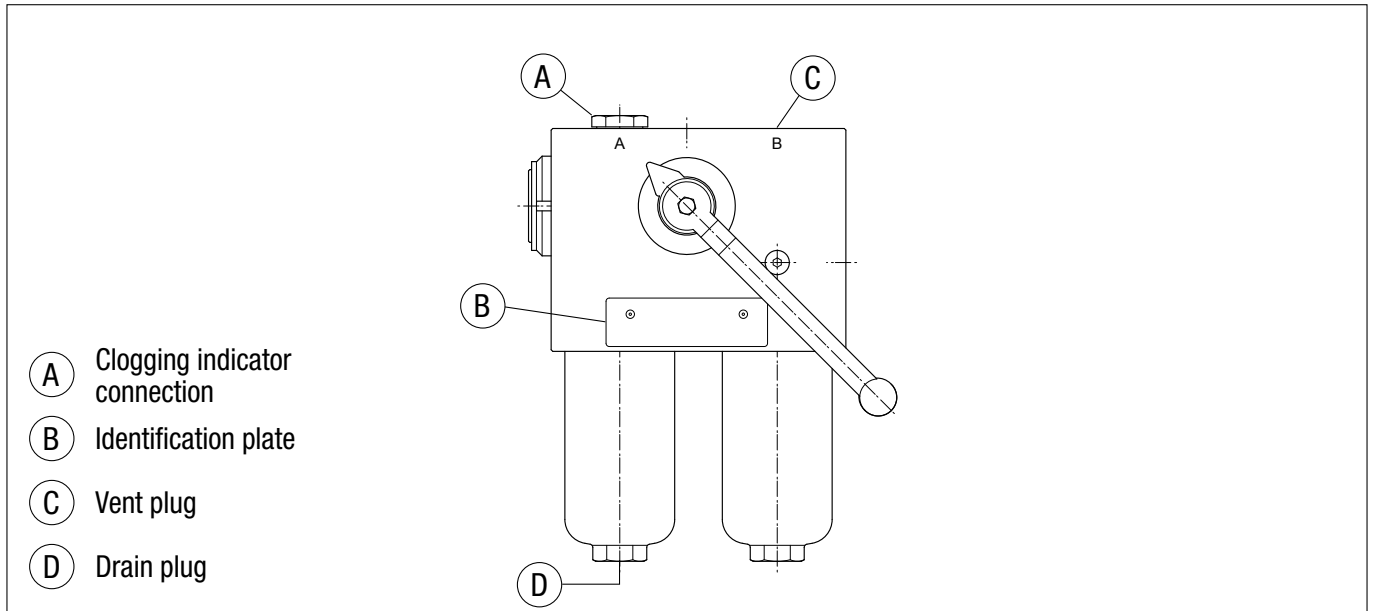
Please refer to the following Weight table:

SERIES AND SIZE	WEIGHTS [kg]				
	Length	2	3	4	5
FHD051		16.9	17.5	18.5	19.8

5. Dimensional drawings



6. Installation



- Check that the system working pressure does not exceed the maximum working pressure of the filter. The maximum working pressure of the filter is shown on the identification plate
- Check that the filter is compatible with the fluid used in the system
- Remove the plastic plugs from the inlet, the outlet and the indicator connection
- Check that the correct filter elements are fitted into the filter
- Check the flow direction (the flow is indicated by the signs “IN” and “OUT” on the filter body)
- Install the clogging indicator, if required.
In the case of using an electrical clogging indicator, follow the electrical diagram for correct installation
- Fasten the filter to the bracket with the correct bolts. Be sure to fit the filter without any tension stress
- Check that there is appropriate clearance for maintenance and the filter elements replacement.
Correct operation is only guaranteed if the filter is installed in a vertical orientation with the filter housing at the top
- Check for a good view of the clogging indicator
- Connect the filter to the hydraulic system, using the appropriate hydraulic fittings.

7. Commissioning

- Switch on the hydraulic system
- Check the filter is free of leaks
- Check the filter for leaks at the maximum working conditions (pressure, temperature ...)
- Check the filter does not cause excessive pressure drop checking that the indicator does not show the alarm signal.

8. Standard maintenance

8.1 FILTER ELEMENT REPLACEMENT

The clogging indicator monitors the conditions of the filter element in the working section of the filter. The alarm signal shown by the differential indicator during the normal working conditions (pressure, temperatures ...) means that the filter element needs to be replaced.

- Check the availability of the right spare filter element by comparing the part number shown on the element with that shown on the filter name plate or spare parts list
- For the disassembly and the assembly of the parts, please refer to the tools table in paragraph 3
- Replacing of the filter element does not require to switch off the system
- (Fig. 1) Establish which filter side is in operation (WASTE SIDE) by referring to the indications on the head front. The switching lever is oriented to the side of the filter which is not in operation (NEW SIDE). The air in the system could cause vibrations, back pressure, or components damages
- (Fig. 2) Open the balancing valve by unscrewing it towards the “-“ sign
- (Fig. 3) Bleed the possible air from the system on the NEW SIDE by loosening the breather plug “Vent A” or “Vent B” by a maximum of one turn, until the operating fluid starts oozing
- (Fig. 4) Immediately screw the breather plug in

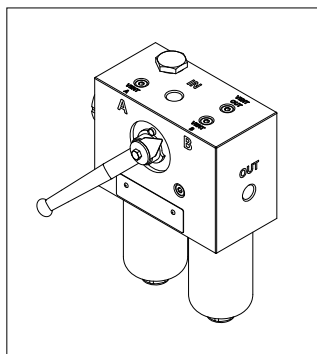


fig. 1

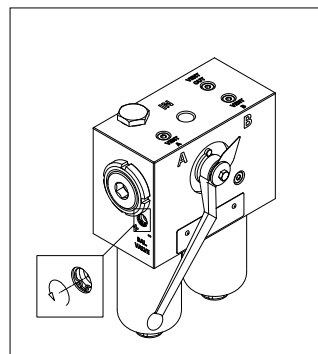


fig. 2

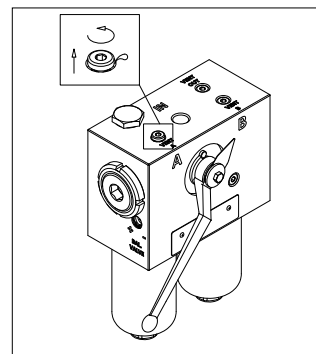


fig. 3

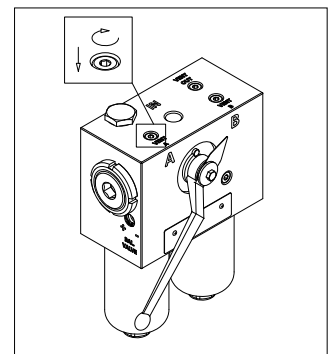


fig. 4

- (Fig. 5) Close the balancing valve by screwing it towards the “+“ sign
- (Fig. 6) Turn the switching lever through 90 degrees to start the NEW SIDE and release the WASTE SIDE
- (Fig. 7) Loosen the breather plug on the WASTE SIDE “Vent A” or “Vent B” by a maximum of one turn
- (Fig. 8) Unscrew the drain plug after placing a vessel to collect the operating fluid

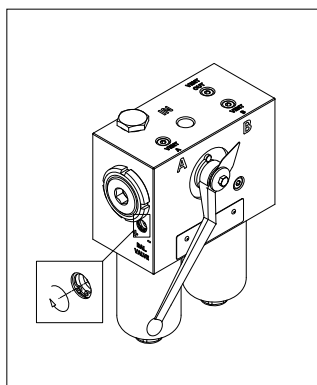


fig. 5

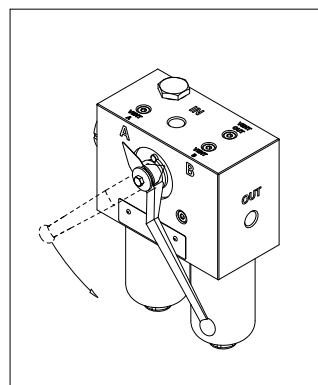


fig. 6

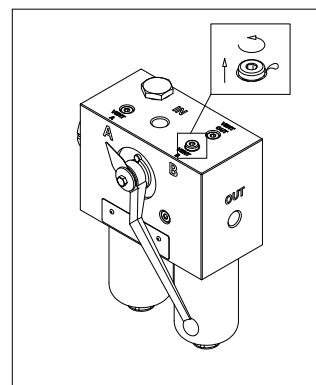


fig. 7

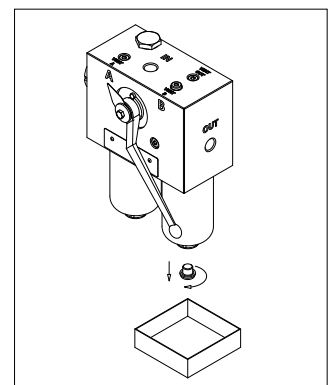


fig. 8

FHD051

- (Fig. 9) Drain the operating fluid from the bottom of the bowl into the collection vessel
- (Fig. 10) Screw the drain plug in referring to the tightening torque table in paragraph 3
- (Fig. 11) Unscrew the filter bowl while keeping the collection vessel
- (Fig. 12) Pull the filter element out.
Clean the cavity in the housing, the tap and the bowl. Check them for damage
- Check the condition of the bowl seals and, if necessary, replace them referring to the “Special maintenance” paragraph
- (Fig. 13) Lubricate with the operating fluid the filter element O-ring, the housing tap and cavity, then fit the filter element on the tap. Pay attention not to damage the O-ring seal

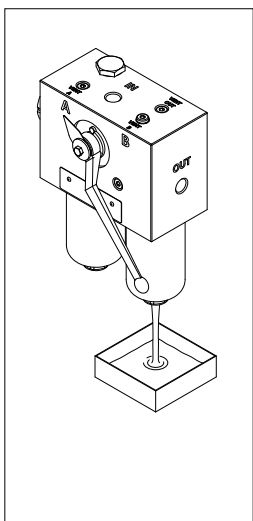


fig. 9

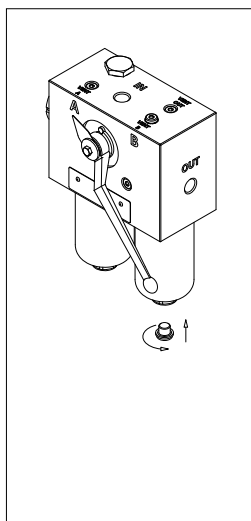


fig. 10

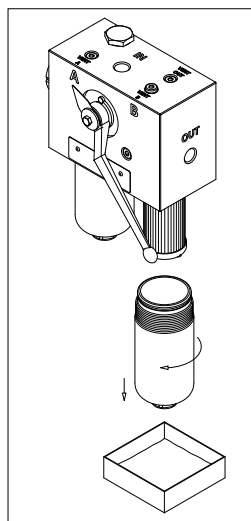


fig. 11

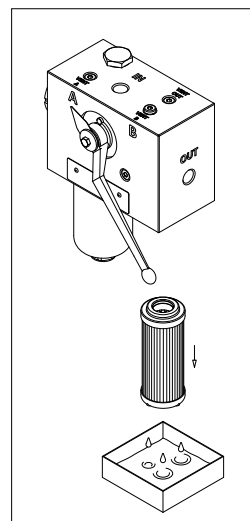


fig. 12

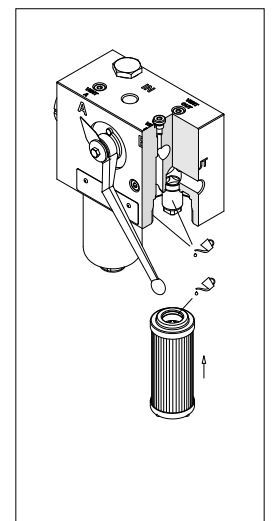


fig. 13

- (Fig. 14) Lubricate the thread and the O-ring of the bowl, then screw the bowl in referring to the tightening torque table in paragraph 3
- (Fig. 15) Open the balancing valve by unscrewing it towards the “-“ sign. Bleed the air from the system through the breather plug loose by a maximum of one turn, until the operating fluid starts oozing
- (Fig. 16) Immediately screw the breather plug in
- (Fig. 17) Close the balancing valve by screwing it towards the “+“ sign
- Dispose of the replaced parts and the collected fluid in accordance with the laws in force in the country of use of the product.

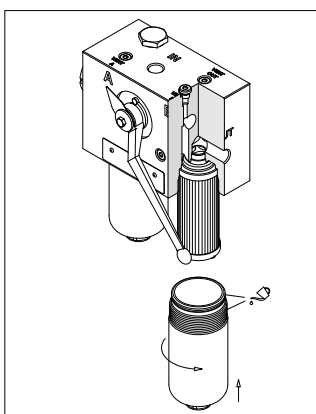


fig. 14

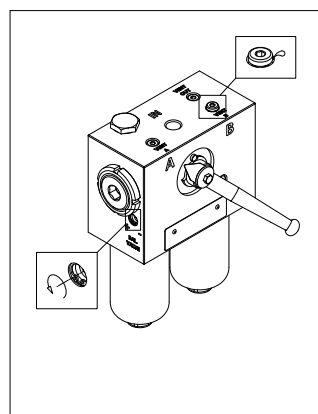


fig. 15

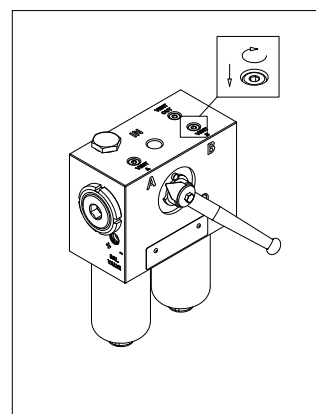


fig. 16

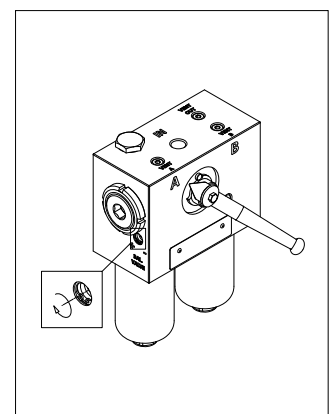


fig. 17

9. Special maintenance

9.1 CLOGGING INDICATOR (OR PLUG) REPLACEMENT

- Check the availability of the right spare parts by comparing the part numbers shown on them with that shown on the filter name plate or spare parts list
- For the disassembly and the assembly of the parts, please refer to the tools table in paragraph 3
- Switch off the system
- (Fig. 18) Loose the “Vent OUT” breather plug by a maximum of one turn
- (Fig. 19) Remove the connector of the differential indicator by unfastening the central screw (only for electrical indicators)
- (Fig. 20) Unscrew the indicator body

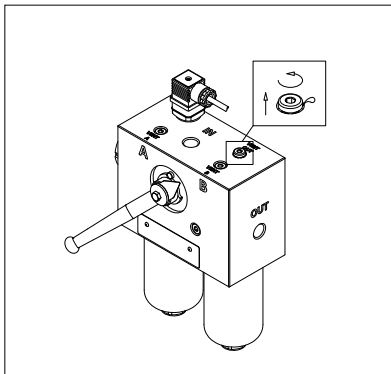


fig. 18

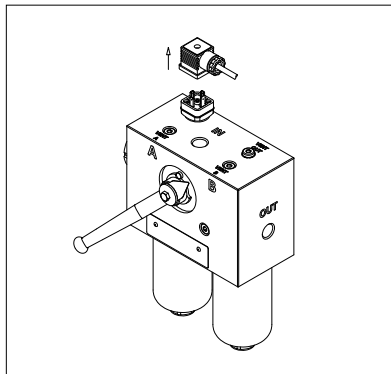


fig. 19

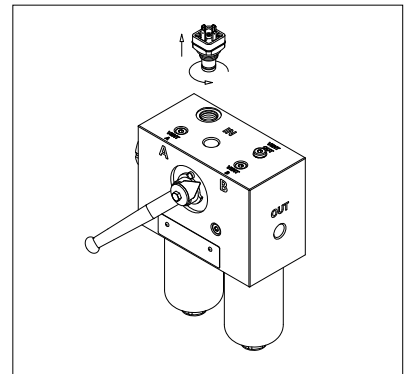


fig. 20

- (Fig. 21) Lubricate with the operating fluid the thread and the O-ring of the indicator body, then screw the indicator body in referring to the tightening torque table in paragraph 3
- (Fig. 22) Insert the connector by fastening the central screw (only for electrical indicators)
- Switch on the system.
The air in the system could cause vibrations, back pressure, or components damages
- (Fig. 23) Bleed the air from the system through the “Vent OUT”, until the operating fluid starts oozing. Immediately screw the breather plug in
- Check the filter for leaks at the maximum working conditions (pressure, temperature...)
- Dispose of the replaced parts in accordance with the laws in force in the country of use of the product.

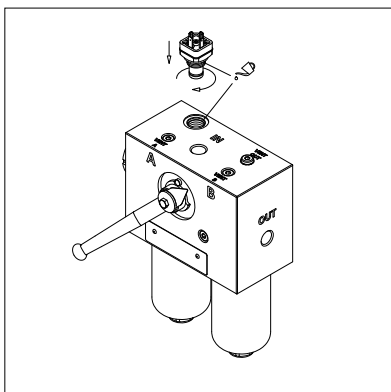


fig. 21

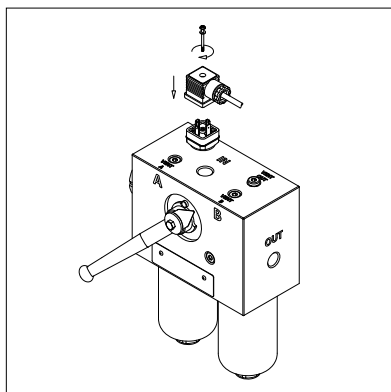


fig. 22

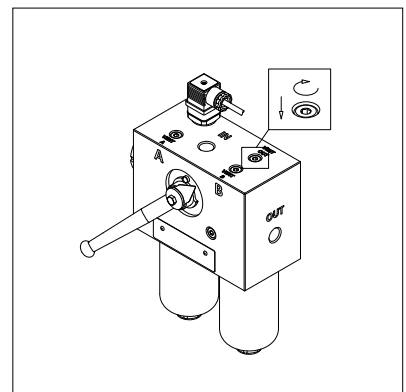


fig. 23

9.2 SEALS REPLACEMENT

- Check the availability of the right spare parts by comparing the part numbers shown on them with that shown on the filter name plate or spare parts list
- For the disassembly and the assembly of the parts, please refer to the tools table in paragraph 3
- Switch off the system
- (Fig. 24) Unscrew the drain plug after placing a vessel to collect the operating fluid
- (Fig. 25) Drain the operating fluid from the bottom of the bowl into the collection vessel
- (Fig. 26) Screw the drain plug in referring to the tightening torque table in paragraph 3
- (Fig. 27) Unscrew the filter bowl while keeping the collection vessel
- (Fig. 28) Pull the filter element out
- Remove all the seal from the bowl and the filter element and prepare the spare parts referring to the list in paragraph 12.
- Clean the cavity in the housing, the tap and the bowl. Check them for damage

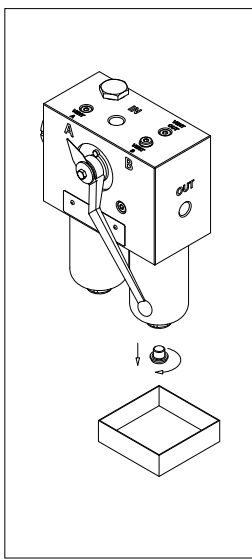


fig. 24

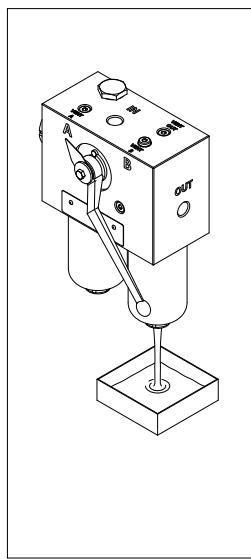


fig. 25

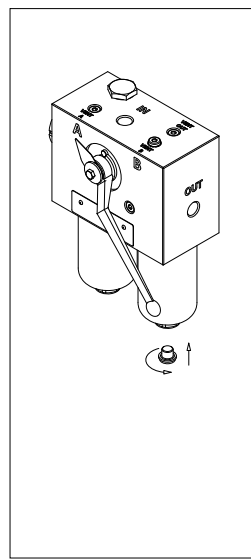


fig. 26

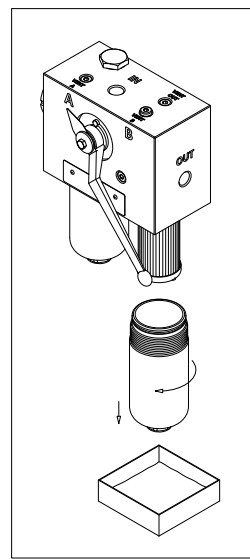


fig. 27

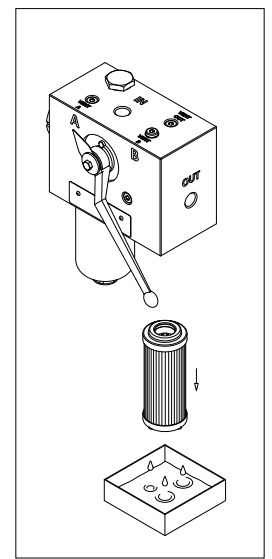


fig. 28

- (Fig. 29) Fit #1: the anti-extrusion ring and #2: the O-ring in the bowl groove, insert the O-ring in the filter element cap
- (Fig. 30) Lubricate with the operating fluid the filter element O-ring, the housing tap and cavity, then fit the filter element on the tap. Pay attention not to damage the O-ring seal

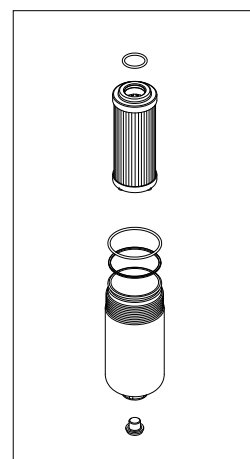


fig. 29

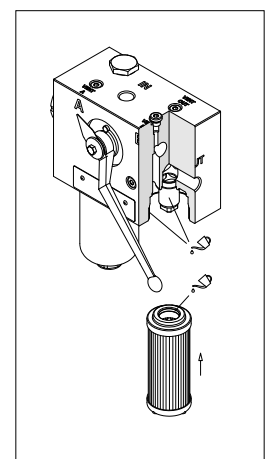


fig. 30

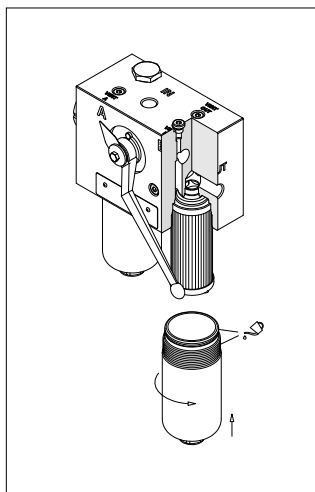


fig. 31

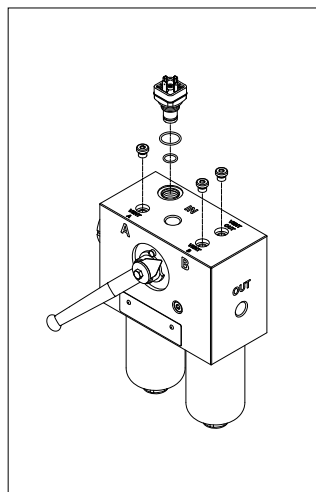


fig. 32

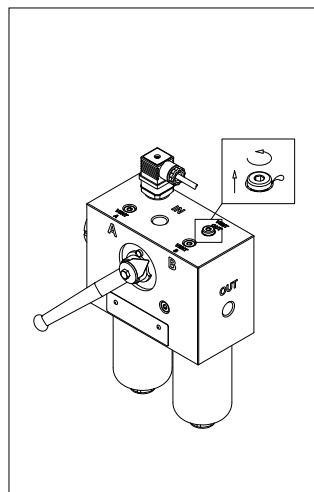


fig. 33

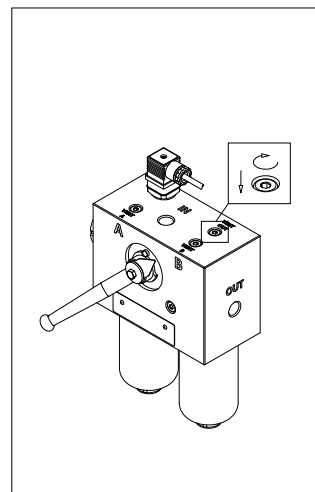


fig. 34

- (Fig. 31) Lubricate the thread and the O-ring of the bowl, then screw the bowl in referring to the tightening torque table in paragraph 3
- (Fig. 32) Replace the O-rings of the indicator body and the breather plug
- For the mounting/dismounting of the indicator, please refer to the paragraph “Clogging indicator replacement” above (Fig. 19÷22)
- Switch on the system.
The air in the system could cause vibrations, back pressure, or components damages
- (Fig. 33) Bleed the air from the system through the “Vent OUT” breather plug loose by a maximum of one turn, until the operating fluid starts oozing
- (Fig. 34) Immediately screw the breather plug in
- Check the filter for leaks at the maximum working conditions (pressure, temperature...).
- Dispose of the replaced parts and the collected fluid in accordance with the laws in force in the country of use of the product.

FHD051

10. Instructions for use in explosive atmospheres

Hydraulic filters should be installed in applications in which special safety measures are required to prevent the triggering of explosive atmospheres, such as use in environments classified according to directive 1999/92/CE (ATEX) or the use of flammable fluids.

Conditions like the use of low conductivity fluids, which could cause electrostatic discharges, or installation near hot components, which could cause surfaces heating, could alter the safety of the filters.

MP FILTRI has carried out a voluntary certification of a part of the product range in compliance with directive 2014/34/EU, in order to guarantee an appropriate degree of safety in these particular conditions.

The content of the certification and the relative marking make them suitable for use in environments classified in accordance with directive 1999/92/CE (ATEX - ZONE 2).

11. Regulations

Hydraulic filters are not machines, but simple components.

Hydraulic filters are excluded from the scope of the Machinery Directive 2006/42/EC, they don't need the CE mark.

Hydraulic filters are designed to be fitted within a hydraulic system designed in accordance with the Machinery Directive 2006/42/EC.

Hydraulic filters are pressurized components. The maximum working pressure PS is over 0.5 bar, so they are subject to the Directive 2014/68/EU (PED)

FHD filters are designed and manufactured for fluids included into the Group 2 defined by the Directive 2014/68/EU.

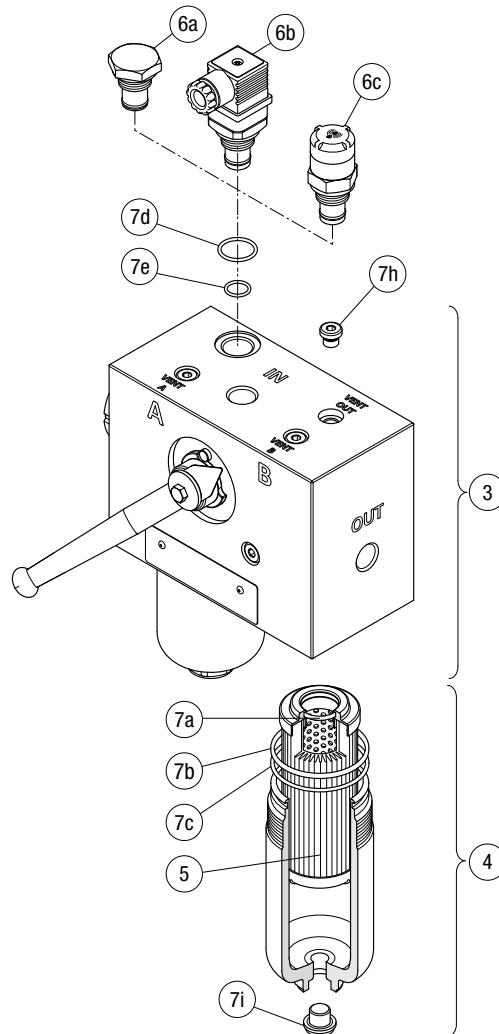
FHD filters do not need the CE marking in accordance with the Directive 2014/68/UE Article 4, Section 3.

FHD filters do not contain any substance of very high concern (SVHC) in percentage higher than 0.1% in accordance with the Regulation (EC) No 1907/2006 (REACH)

FHD filters are designed and manufactured in accordance with the Commission Delegated Directive (EU) 2015/863 (RoHS).

FHD051

12. Spare parts list



Item	Quantity	Description	Designation / Ordering code	
1	1	Complete filter	See "Ordering Code" table	
3	1	Housing		
4	1	Bowl assembly		
5	1	Filter element		
6	1	Clogging indicator		
7	1	Seals kit	NBR	FPM
			02050420	02050421
7a	2	Filter element seal	O-Ring 3093 - di = 23.47 - d ₂ = 2.62	
7b	2	Bowl seal	O-Ring 3225 - di = 56.82 - d ₂ = 2.62	
7c	2	Bowl anti-extrusion ring	SR139	
7d	1	Indicator seal	ORM 0210-20 - di = 21.00 - d ₂ = 2.00	
7e	1	Indicator seal	O-Ring 2050 - di = 12.42 - d ₂ = 1.78	
7h	3	Breather plug	DIN 908-ST-G1/8-A machined for breathing + seal DIN EN 3869	
7i	2	Drain plug	DIN 908-ST-G1/4-A + seal DIN EN 3869	

13. Ordering code

13.1 FILTER / HOUSING / BOWL

FILTER / HOUSING / BOWL										
Filter Series and size		Filter:	FHD051	2	S	V	G2	A10	N	P01
FHD051	Filter / housing	Housing:	FHD051		S	V	G2			P01
HPB050	Bowl assembly	Bowl:	HPB050	2		V		A10	N	P01
Filter length										
2 3 4 5										
Valves										
S Without bypass										
B With bypass 6 bar										
Seals										
A NBR										
V FPM										
Connections										
G1 G 3/4"										
G2 3/4" NPT										
G3 G 1/2"										
G4 1/2" NPT										
G5 SAE 8 - 3/4" - 16 UNF										
G6 SAE 12 - 1 1/16" - 12 UN										
Filtration rating (filter media)										
A03 Inorganic microfiber 3 µm										
A06 Inorganic microfiber 6 µm										
A10 Inorganic microfiber 10 µm										
A16 Inorganic microfiber 16 µm										
A25 Inorganic microfiber 25 µm										
M25 Wire mesh 25 µm										
Element Δp										
		Filtration rating								
		Axx	M25							
N	20 bar	-	•							
R	20 bar	•	•							
S	210 bar	•	•							
		Execution								
		P01 MP Filtri standard								
		Pxx Customized								

FHD051

13.2 FILTER ELEMENT

FILTER ELEMENT																	
Element series and size HP050		Configuration example: HP050 2 A10 V N P01															
Element length 2 3 4 5																	
Filtration rating (filter media)																	
A03	Inorganic microfiber 3 µm																
A06	Inorganic microfiber 6 µm																
A10	Inorganic microfiber 10 µm																
A16	Inorganic microfiber 16 µm																
A25	Inorganic microfiber 25 µm																
M25	Wire mesh 25 µm																
Seals																	
A	NBR																
V	FPM																
		Execution P01 MP Filtri standard Pxx Customized															
<table border="1"> <thead> <tr> <th rowspan="2">Element Δp</th> <th colspan="2">Filtration rating</th> </tr> <tr> <th>Axx</th> <th>M25</th> </tr> </thead> <tbody> <tr> <td>N 20 bar</td> <td>-</td> <td>•</td> </tr> <tr> <td>R 20 bar</td> <td>•</td> <td>•</td> </tr> <tr> <td>S 210 bar</td> <td>•</td> <td>•</td> </tr> </tbody> </table>		Element Δp	Filtration rating		Axx	M25	N 20 bar	-	•	R 20 bar	•	•	S 210 bar	•	•		
Element Δp	Filtration rating																
	Axx	M25															
N 20 bar	-	•															
R 20 bar	•	•															
S 210 bar	•	•															

CLOGGING INDICATORS	
DEA	Electrical differential indicator
DEM	Electrical differential indicator
DLA	Electrical / visual differential indicator
DLE	Electrical / visual differential indicator
DTA	Electrical differential indicator
DVA	Visual differential indicator
DVM	Visual differential indicator
T2	Plug

14. Troubleshooting

14.1 MISUSE OF THE PRODUCT

This product should be connected to a hydraulic line; this must not exceed upper pressure limit of the product. This product should follow all standard operating procedures previously set at the operating location as well as the procedures required by the manufacturer.

Over-tighten of test points/hoses can damage threads causing the unit to fail.
The product is designed with no components in motion.

14.2 CLOGGING INDICATOR ALARM

In normal functioning of the system, the clogging of the filter by contaminants will result in a gradual increase in the pressure drop through the filter.

The filter element should be replaced before it is completely clogged and anyways before the pressure exceeds the setting value of the bypass valve. For this reason, we recommended using a clogging indicator (visual or electrical), that advises the appropriate timing for replacing the cartridge.

Should the clogging indicator be in alarm mode, it means that the pressure has already exceeded the guard threshold, and the cartridge has to be replaced.

14.3 LEAKS OF WORKING FLUID

Leaks from the connections with normal tightening may indicate seal damage during the warehousing process, fluid incompatibility, or unsuitable work conditions.

All data, details and words contained in this publication are provided for use by technically qualified personnel at their discretion, without warranty of any kind.

MP Filtri reserves the right to make modifications to the models and versions of the described products at any time for both technical and/or commercial reasons.

For updated information please visit our website: www.mpfiltri.com

The colors and the pictures of the products are purely indicative.

Any reproduction, partial or total, of this document is strictly forbidden.

All rights are strictly reserved

WORLDWIDE NETWORK

CANADA ♦ CHINA ♦ FRANCE ♦ GERMANY ♦ INDIA ♦ SINGAPORE
UNITED ARAB EMIRATES ♦ UNITED KINGDOM ♦ USA



PASSION  PERFORM

in @ y f



mpfiltri.com
Scan or click me!