

AKG series

IEC electric motor range from size 63 up to size 225



Bell-Housings & Couplings sizing

	p.
AUTOMATIC	11
MANUALLY	12

SOFTWARE FOR AUTOMATIC CALCULATION

The web-based software program will allow you to select the most suitable MP Filtri's Filters, in accordance with your process design requirements.

The program will automatically check your input design process prior to propose you the acceptable solutions and create an output in PDF report style format.

The MP Filtri Selection Tool software program is easy to use with a flexible fast design method and provides improved layout formats with full descriptions.

The web-based tool is available at MP Filtri website at following link:
<https://www.mpfiltri.com/tools/>

The related, complete user guide is available as Manual and downloadable from the "Download" section of MP Filtri website, as well as scanning the following QR code



Scan or click me!



**BELL-HOUSINGS
& COUPLINGS**



BELL-HOUSINGS & COUPLINGS SIZING

A GUIDE TO SELECT THE CORRECT BELL-HOUSING AND DRIVE COUPLING MANUALLY

DATA REQUIRED

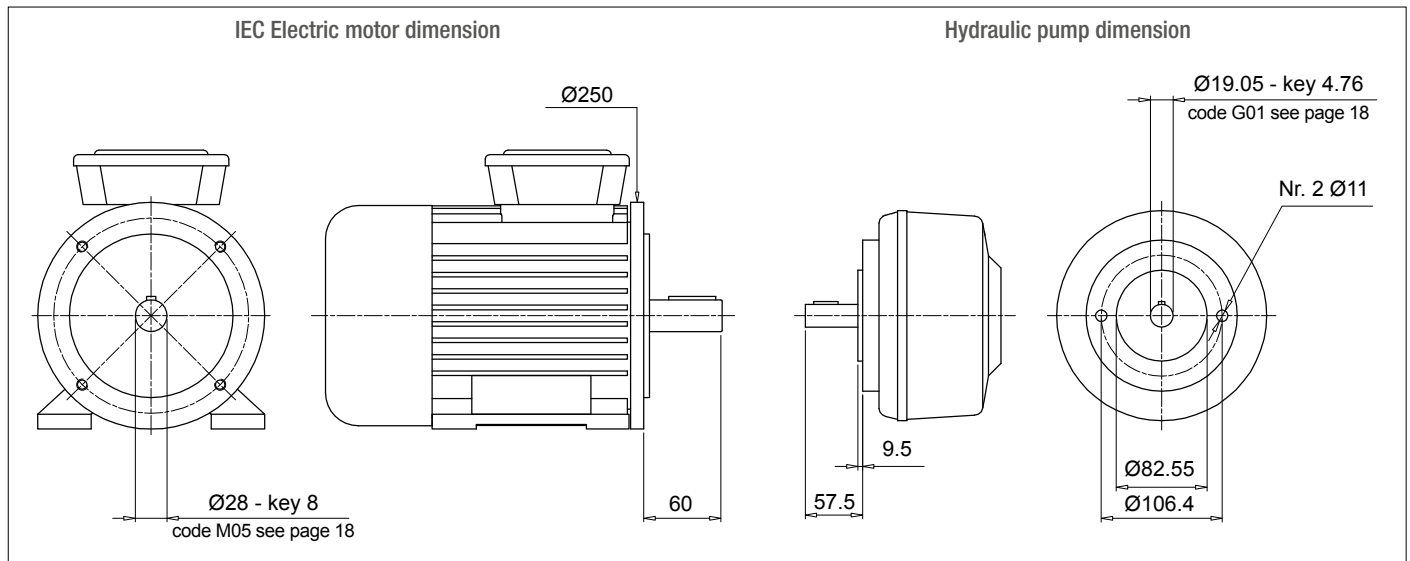
- Electric motor power/motor size
- Manufacturer and pump type

TO VERIFY:

- 1 - Pump and motor shaft dimensions (see electric motor data sheet)
- 2 - Shaft and flange pump (see pump data sheet)

Example:

- Electric motor 2.2 kW - size 100-112
- Atos pump code PFE31 - Shaft 1



Bell-Housing's length calculation

- $H = 60 + 18 + 57.5 = 135.5 \text{ mm}$ (18 = Sp spider - see page 31)
- Choose type of bell-housing (LMC - LMS):
For monobloc bell-housing LMC/LDC series see pages 75 ÷ 81
For Low noise bell-housing LMS/LDS series see pages 81 ÷ 89
For Multi-components 2-3 bell housing series see pages 91 ÷ 111

Note:

The length of bell-housing must be \geq than the length calculated (135.5 mm)

Case A

Solution with monobloc bell-housing series **LMC/LDC**

Pages 75 ÷ 81 for IEC Electric motor size 100-112 - LMC250

LMC 250 bell-housing with height ≥ 135.5 - LMC250AFSQ

The bell-housing code must be completed with pump drilling code (see pages 60-61).

For the specific case:

Spigot hole 82.55 - PCD 106.4 - Nr.2 holes M10 : Drilling code 060

Definitive bell-housing code **LMC250AFSQ060**

Case B

Solution with low noise bell-housing series **LMS/LDS**

Pages 83 ÷ 89 for IEC Electric motor size 100-112 - LMS250

LMS 250 bell-housing with height ≥ 135.5 - LMS250AFSA

The bell-housing code must be completed with pump drilling code (see pages 60-61).

For the specific case:

Spigot hole 82.55 - PCD 106.4 - Nr.2 holes M10 : Drilling code 060

Definitive bell-housing code **LMS250AFSA060**

Coupling selection

Motor half-coupling (see page 26)

For IEC Electric motor size 100/112, the half-coupling is **SGEA21M05060**

Spider (see page 31)

For SGEA21, EGE2 - EGE2RR

(choose spider material on the base of the application, oil, temperature and cycle machine, etc.)

Pump half-coupling

Choose the drilling code - see pages 18-19 for shaft 19.05 - key 4.76 - code: **G01**

Pump half-coupling length = BH length - THK Spider - THK Spigot

$$\text{LMC} = 138 \text{ mm} - 60 - 18 - 9.5 = 50.5 \text{ mm}$$

$$\text{LMS} = 148 \text{ mm} - 60 - 18 - 9.5 = 60.5 \text{ mm}$$

LMC - Choose the half-coupling's length at page 26 \leq 50.5 mm.

LMS - Choose the half-coupling's length at page 26 \leq 60.5 mm.

LMC - Available length for SGEA21 = 50 mm

LMS - Available length for SGEA21 = 60 mm

Half coupling for LMC: **SGEA21G01050**

Half coupling for LMS: **SGEA21G01050**

Note: for multi pumps we recommend to use a specific support on the base of the pump's dimensions and weight.

The half-couplings series SGE*** allow secure transmission between the electric motor and the driven side; they are able to absorb shocks and vibration, in addition to compensating radial misalignment, angular and axial.

The complete range of couplings are extrapolated from the on-line software, with a length equal than the shaft on which must be mounted and they are completed with grub screw for fixing located on the key.

The assembly of the couplings can be horizontal/vertical, withstanding vibration and load reversals.

Available for cylindrical shaft with metric and imperial dimensions as well for splined shafts as per specification DIN, ISO and SAE.

Admissible misalignment radial, angular and axial

Max admissible radial misalignment

Half-coupling	R [mm]
SGE * 01	0.5
SGE * 21	1.0
SGE * 31	1.0
SGE * 40	1.0
SGE * 51	1.5
SGE * 60	1.5
SGE * 80	2.0
SGE * 90	2.0

Max admissible angular misalignment

Half-coupling	β [°]
SGE * 01	1.5°
SGE * 21	
SGE * 31	
SGE * 40	
SGE * 51	
SGE * 60	
SGE * 80	
SGE * 90	

Max admissible alignment

Half-coupling	A [mm]
SGE * 01	2.0
SGE * 21	2.5
SGE * 31	3.0
SGE * 40	3.5
SGE * 51	3.5
SGE * 60	3.5
SGE * 80	4.0
SGE * 90	5.0

Standard ATEX Directive 2014/34/EU and UK Regulation S.I. 2016 No. 1107 (as amended)

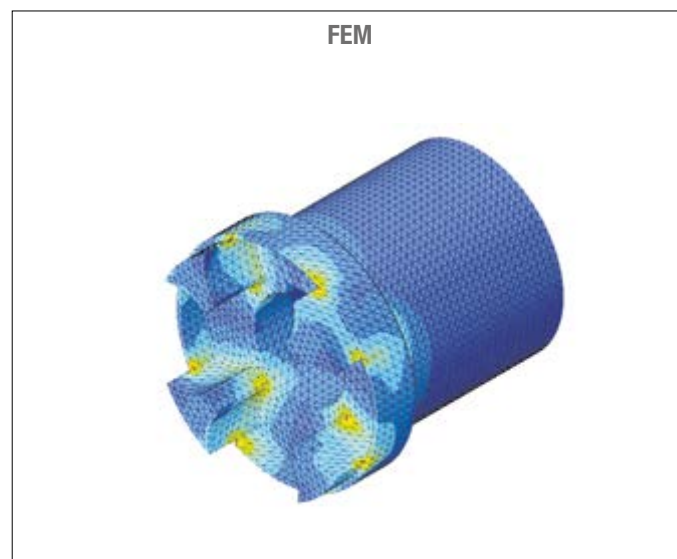


Half-couplings are available to use in hazardous area.

The couplings are certified according to Standard ATEX Directive 2014/34/EU and UK Regulation S.I. 2016 No. 1107 (as amended) - Category certified 2G - Area 1 and 2.

Other information available on our web site "www.mpfiltri.com".

MP Filtri couplings are developed with:



Drawings 3D available on website www.mpfiltri.com at section TOOLS.

Examples verification of the coupling

Torque transmitted by electric motor:

Mt: $9560 \times \text{kW} / \text{rpm} = \text{Nm}$

Me > $Mt \times S = \text{Nm}$

Where:

Mt: Torque transmitted by electric motor

Me: Torque transmitted by coupling

kW: Power of electric motor

Rpm: Revolutions per minute of electric motor

S: Service factor

Table 1

Small pumps, uniform load, low operating pressures e.g. rotary action machine tools - 5/8 work cycles per hour	1.3
Small pumps, uniform load, high working pressures e.g. lifting equipment - 120-150 work cycles per hour	1.5
Pumps, non-uniform load e.g. lifting equipment - 280-300 work cycles per hour	1.7

Example

Electric motor, 4 pole - 4 kW
hydraulic pump, uniform load, low operating pressure

Mt: $9560 \times 4 / 1500 = 25.45 \text{ Nm}$

Me > $25.49 \times 1.3 = 33 \text{ Nm}$

Half-coupling SGEA21 meets the above requirement.

Select the half-coupling of the calculated size from the motor half-couplings table.

Note: When selecting the coupling, remember that for pumps with splined shaft, only cast iron couplings of the SGEG series can be used.

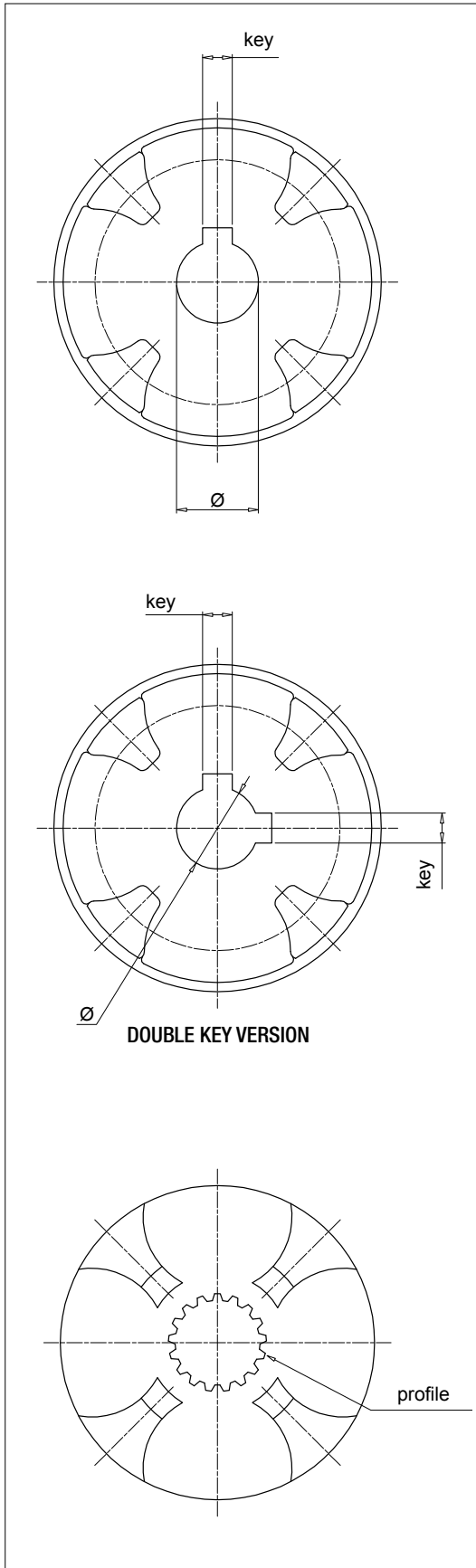
Determine the size of the coupling according to the type of installation and application envisaged, on the basis of the formulas and the following tables:

Table 2

Half-coupling type	External diameter [mm]	Nominal torque Me - Nm	Maximum transmissible torque Me - Nm	
ROTAFIT				
SGEA01	SGEK01	44	10	20
SGEA21	SGEK21	70	95	190
SGEA31	SGEK31	85	190	380
SGEA51	SGEK51	109.5	310	620
ALUMINIUM				
SGEG01		40	10	20
SGEG30		80	190	380
SGEG40	SGEK40	95	310	620
SGEG60	SGEK60	120	430	860
SGEG80	SGEK80	160	1250	2500
SGEG90		200	5500	6100
CAST IRON				
SGES40		95	310	620
SGES60		120	430	860
SGES80		180	1250	2500
STEEL				

Nominal and maximum torque values are referred to couplings assembled with standard flexible spiders of the **EGE**** series (see page 31).

Where higher torques are to be transmitted, use flexible spiders of the **EGE**RR** series (see page 31).



Parallel shaft - Metric Dimensions

Ø [mm]	key [mm]	Code
12	4	C00
15	5	C01
16	4	C02
16	5	C03
17	5	C04
18	6	C05
20	5	C06
19	5	C07
30	10	C08
20	6	C09
16	5	C10
15	4	C11
22	6	D00
24	6	D01
25	8	D02
30	8	D03
32	10	D04
35	10	D05
40	12	D06
45	14	D07
50	14	D08
70	20	D09
22	8	D10
52	16	D20
8	3	E00
10	3	E01
22	5	E02
32	8	E03
35	8	E04
82	22	E05
25	7	E06
63	18	E07
9	3	M00
11	4	M01
14	5	M02
19	6	M03
24	8	M04
28	8	M05
38	10	M06
42	12	M07
48	14	M08
55	16	M09
60	18	M10
65	18	M11
75	20	M12
80	22	M13
90	25	M14
95	25	M15
100	28	M16
110	28	M17
85	22	M18

Parallel shaft - Imperial Dimensions

Ø		key		Code
[inch]	[mm]	[inch]	[mm]	
7/16"	11.11	1/8"	3.18	G00
3/4"	19.05	3/16"	4.76	G01
7/8"	22.22	3/16"	4.76	G02
7/8"	22.22	1/4"	6.35	G03
1"	25.4	3/16"	4.76	G04
1"	25.40	1/4"	6.35	G05
1 1/4"	31.75	1/4"	6.35	G06
1 1/4"	31.75	5/16"	7.94	G07
1 3/8"	34.94	5/16"	7.94	G08
1 1/2"	38.1	3/8"	9.52	G09
1 5/8"	41.27	3/8"	9.52	H00
1 3/4"	44.45	7/16"	11.11	H01
2"	50.8	1/2"	12.7	H02
2 11/32"	53.94	1/2"	12.7	H03
3/4"	19.02	1/8"	3.17	H04
1"	25.4	3/16"	4.76	H05
5/8"	15.87	3/16"	4.76	H06
17/32"	13.45	1/8"	3.18	H07
11/16"	17.46	3/16"	4.76	H08
1/2"	12.7	1/8"	3.18	H09
5/8"	15.87	5/32"	3.97	L00
7/8"	22.22	5/32"	4	L01
11/8"	28.58	1/4"	6.35	L02
3/4"	19.05	1/4"	6.35	L03
1 7/8"	47.63	1/2"	12.7	L04
3 3/8"	85.73	7/8"	22.23	L05
2 3/8"	60.33	5/8"	15.88	L06
2 3/8"	60.33	1/2"	12.7	L07
2 7/8"	73.03	3/4"	19.05	L08
3 5/8"	92.07	7/8"	22.22	L09
1 5/8"	41.6	15/32"	12	L10
1 1/8"	28.58	5/16"	7.94	L15

Parallel shaft - Double Key

Ø [mm]	key [mm]	Code
16.00	4.00	C02***2H
	5.00	
20.00	5.00	C06***2M
	6.00	
19.00	5.00	C07***2L
	6.00	
24.00	6.00	D01***2N
	8.00	
30.00	8.00	D03***2P
	10.00	
22.22	4.76	G02***2E
	6.35	
25.40	6.35	G04***2F
	4.76	
31.75	6.35	G06***2G
	7.94	

*** = coupling length

SAE Bore - ANS.B.92.1-1970

Profile	Nr. of Th	Code
17 th 8/16	17	PD01
14 th 12/24	14	PD02
16 th 12/24	16	PD03
17 th 12/24	17	PD04
9 th 16/32	9	PD05
11 th 16/32	11	PD06
12 th 16/32	12	PD07
13 th 16/32	13	PD08
15 th 16/32	15	PD09
21 th 16/32	21	PD10
23 th 16/32	23	PD11
27 th 16/32	27	PD12
40 th 16/32	40	PD13
20 th 24/48	20	PD14
21 th 24/48	21	PD15
23 th 24/48	23	PD16
25 th 24/48	25	PD17
26 th 24/48	26	PD18
27 th 12/48	27	PD19
28 th 24/48	28	PD20
29 th 24/48	29	PD21
32 th 24/48	32	PD22
21 th 32/64	21	PD23
30 th 32/64	30	PD24
33 th 32/64	33	PD25
23 th 40/80	23	PD26
36 th 48/96	36	PD27
41 th 48/96	41	PD28
47 th 48/96	47	PD29
13 th 8/16	13	PD30
15 th 8/16	15	PD31
14 th 16/32	14	PD32
40 th 16/32	40	PD33
33 th 16/32	33	PD34
9 th 20/40	9	PD35
10 th 16/32	10	PD36
25 th 20/40	25	PD37

Splined bore as per standard DIN5480

Profile	Nr. of Th	Code
W18 x 1.25 x 13	13	PA01
W20 x 1.25 x 14	14	PA02
W25 x 1.25 x 18	18	PA03
W28 x 1.25 x 21	21	PA04
W32 x 1.25 x 24	24	PA05
W38 x 1.25 x 29	29	PA06
W30 x 2 x 14	14	PA07
W32 x 2 x 14	14	PA08
W35 x 2 x 16	16	PA09
W37 x 2 x 17	17	PA10
W38 x 2 x 18	18	PA11
W40 x 2 x 18	18	PA12
W42 x 2 x 20	20	PA13
W45 x 2 x 21	21	PA14
W50 x 2 x 24	24	PA15
W55 x 2 x 26	26	PA16
W60 x 2 x 28	28	PA17
W70 x 2 x 34	34	PA18
W80 x 2 x 38	38	PA19
W60 x 3 x 18	18	PA20
W70 x 3 x 22	22	PA21
W75 x 3 x 24	24	PA22
W90 x 3 x 28	28	PA23
W105 x 3 x 34	34	PA24
W80 x 3 x 25	25	PA25
W50 x 1.25 x 38	38	PA26
W62 x 1.25 x 48	48	PA27
W40 x 1.5 x 25	25	PA28
W32 x 1.5 x 20	20	PA29
W40 x 1.25 x 30	30	PA30

Splined bore as per standard DIN5481

Profile	Nr. of Th	Code
8 x 10	28	PC01
10 x 12	30	PC02
12 x 14	31	PC03
15 x 17	32	PC04
17 x 20	33	PC05
21 x 24	34	PC06
26 x 30	35	PC07
30 x 34	36	PC08
60 x 65	41	PC09

Splined bore as per standard DIN5482

Profile	Nr. of Th	Code
A15 x 12	8	PB01
A17 x 14	9	PB02
A18 x 15	10	PB03
A20 x 17	12	PB04
A22 x 19	13	PB05
A25 x 22	14	PB06
A28 x 25	15	PB07
A30 x 27	16	PB08
A32 x 28	17	PB09
A35 x 31	18	PB10
A38 x 34	19	PB11
A40 x 36	20	PB12
A42 x 38	21	PB13
A45 x 41	22	PB14
A48 x 44	23	PB15
A50 x 45	24	PB16
A52 x 47	25	PB17
A55 x 50	26	PB18
A58 x 53	27	PB19
A60 x 55	28	PB20
A62 x 57	29	PB21
A65 x 60	30	PB22
A68 x 62	31	PB23
A70 x 64	32	PB24
A72 x 66	33	PB25
A75 x 69	34	PB26
A78 x 72	35	PB27
A80 x 74	36	PB28
A82 x 76	37	PB29
A85 x 79	38	PB30
A88 x 82	39	PB31
A90 x 84	40	PB32
A92 x 86	41	PB33
A95 x 89	42	PB34
A98 x 92	43	PB35
A100 x 94	44	PB36

Technical data

Couplings - IEC electric motor range from size 63 up to size 225

Materials

- Hubs: Aluminium, cast iron, steel
- Spider materials: NBR rubber 87 Sh A
Polyurethane 95 Sh A

Compatibility with fluids

- Modular bell-housing components compatible for use with:
- Mineral oils types HH-HL-HM-HR-HV, to ISO 6743/4 standard
 - Water based emulsions types HFAE-HFAS, to ISO 6743/4 standard
 - Water glycol type HFC, to ISO 6743/4 standard: ask for anodized version

Special Applications

Any applications not covered by the normal indications contained in this catalogue must be evaluated and approved by MP Filtri Technical and Sales Department

Temperature

From -30 °C to +80 °C

Note

For temperatures outside this range, contact MP Filtri Technical and Sales Department



Standard ATEX Directive 2014/34/EU and UK Regulation S.I. 2016 No. 1107 (as amended).

On request, it's possible to certificate the AKG according to ATEX CAT. 2G - Areas 1 - 2

IEC Electric motors

Coupling size	European standard size						German standard size			IEC Motors size
	0.5	1	2	3	3.5	4	ZB	ZF	ZG	
AKG02	●	●	●				●			IEC 63 Ø140 - Ø11x23
AKG03	●	●	●				●			IEC 71 Ø160 - Ø14x30
AKG04	●	●	●	●			●	●		IEC 80 Ø200 - Ø19x40
AKG05	●	●	●	●			●	●		IEC 90 Ø200 - Ø24x50
AKG07		●	●	●			●	●		IEC 110 Ø250 - Ø28x60
AKG07		●	●	●			●	●		IEC 112 Ø250 - Ø28x60
AKG11		●	●	●	●	●		●	●	IEC 132 Ø300 - Ø38x80
AKG12			●	●	●	●	●	●	●	IEC 160 Ø350 - Ø42x110
AKG13			●	●	●	●	●	●	●	IEC 180 Ø350 - Ø48x110
AKG16			●	●	●	●	●	●	●	IEC 200 Ø400 - Ø55x110
AKG18			●	●	●	●	●	●	●	IEC 225 Ø450 - Ø60x140




KIT COUPLING FOR GEAR PUMPS

Motors identification code Configuration example:

Size	Size
02 63 B3-B5	13 180 B3-B5
03 71 B3-B5	43 63 B14
04 80 B3-B5	44 71 B14
05 90 B3-B5	45 80 B14
07 100/112 B3-B5	46 90 B14
11 132 B3-B5	48 100/112 B14
12 160 B3-B5	

Pump flange identification code
FS200 See pages 43 - 44 - 45

Pump identification code
Z Revision index

ATEX certification identification code
EX ATEX Directive 2014/34/EU and UK Regulation S.I. 2016 No. 1107 (as amended)   




KIT COUPLING FOR PISTON PUMPS VANES AND SCREWS

Motors identification code Configuration example:

Size	Size
M01 80 B3-B5	M07 200 B3-B5
M02 90 B3-B5	M08 225 B3-B5
M03 100/112 B3-B5	M09 250 B3-B5
M04 132 B3-B5	M10 280 B3-B5
M05 160 B3-B5	M11 315 B3-B5
M06 180 B3-B5	M12 355 B3-B5

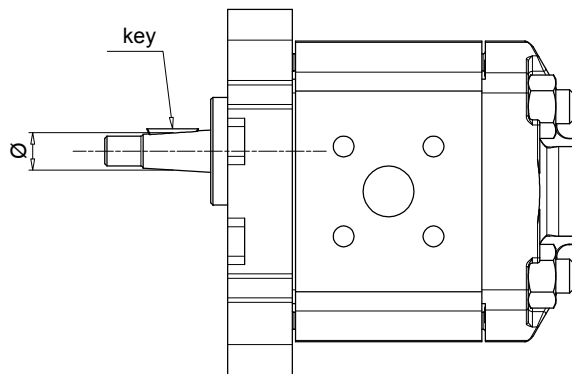
Electric motor identification code
M01 See software

Pump identification code
Z0000 See software

ATEX certification identification code
EX ATEX Directive 2014/34/EU and UK Regulation S.I. 2016 No. 1107 (as amended)   

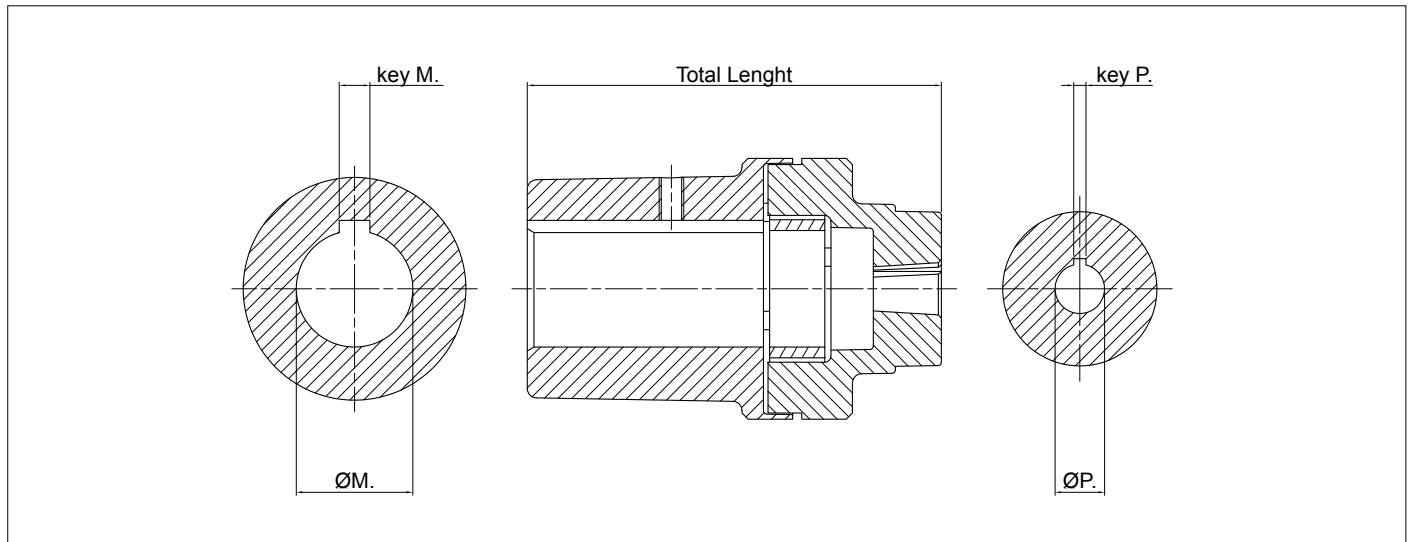
NOTE:

The complete code of the coupling kit can be selected following the selection of electric motor and hydraulic pump on the B&C selection software available on www.mpfiltri.com



Shaft identification

Pump group	d	Key	Shaft type	Pump half-coupling code
05	6.0	2.0	parallel	FS05M
	7.0	2.0	parallel	FS05C
1	9.7	2.4	tapered 1:8	FS100
	12.0	3.0	parallel	FS1C0
	13.9	3.0	tapered 1:8	FS1M0
2	17.2	3.2 - 4	tapered 1:8	FS200
	22.2	4.0	tapered 1:8	FS300
3	22.2	4.0	tapered 1:8	FS300
	22.2	4.0	tapered 1:8	FS300
	22.2	4.0	tapered 1:8	FS300
	22.2	4.0	tapered 1:8	FS300
3.5	25.6	4.76 - 5.0	tapered 1:8	FS350
	25.6	4.76 - 5.0	tapered 1:8	FS350
4	33.3	6.35 - 7.0	tapered 1:8	FS400
	33.3	6.35 - 7.0	tapered 1:8	FS400
Bosch	9.8	2.0	tapered 1:5	FSZBR
	16.9	3.0	tapered 1:5	FSZFR
	25.2	5.0	tapered 1:5	FSZGR



IEC Motors B3/5 - standard gear pump

IEC - Electric motors		Pump identification code	Components														
Motor size	Shaft end [Ø x L]		Motor half-coupling code	Spider code	Codice Semigiunto pompa	Complete coupling kit code	ØM.	Key M.	ØP.	Key P.	Tot. L.						
63	11x23	FS05M	SGEA01M01019	EGE 0	SGEA01FS05M	AKG02FS05MZEX	11	4	6	2	50						
		FS05C			SGEA01FS05C	AKG02FS05CZEX			7	2							
		FS100			SGEA01FS100	AKG02FS100ZEX			9.7-1.8	2.4							
		FS1C0			SGEA01FS1C0	AKG02FS1C0ZEX			12	3							
		FS1M0			SGEA01FS1M0	AKG02FS1MOZEX			13.9-1.8	3							
		FSZBR			SGEA01FSZBR	AKG02FSZBRZEX			9.8-1.5	2							
71	14x30	FS05M	SGEA01M02028	EGE 0	SGEA01FS05M	AKG03FS05MZEX	14	5	6	2	59						
		FS05C			SGEA01FS05C	AKG03FS05CZEX			7	2							
		FS100			SGEA01FS100	AKG03FS100ZEX			9.7-1.8	2.4							
		FS1C0			SGEA01FS1C0	AKG03FS1C0ZEX			12	3							
		FS1M0			SGEA01FS1M0	AKG03FS1MOZEX			13.9-1.8	3							
		FSZBR			SGEA01FSZBR	AKG03FSZBRZEX			9.8-1.5	2							
80	19x40	FS05M	SGEA01M03048	EGE 0	SGEA01FS05M	AKG04FS05MZEX	19	6	6	2	80						
		FS05C			SGEA01FS05C	AKG04FS05CZEX			7	2							
		FS100			SGEA01FS100	AKG04FS100ZEX			9.7-1.8	2.4							
		FS1C0			SGEA01FS1C0	AKG04FS1C0ZEX			12	3							
		FS1M0			SGEA01FS1M0	AKG04FS1MOZEX			13.9-1.8	3							
		FSZBR			SGEA01FSZBR	AKG04FSZBRZEX			9.8-1.5	2							
			FS200	SGEA21M03048	EGE 2	SGEA21FS200	AKG04FS200ZEX	19	6	17.2-1.8	3.5/4	94					
			FSZFR			SGEA21FSZFR	AKG04FSZFRZEX			16.9	3						
			FS05M			SGEA01M04048	EGE 0			SGEA01FS05M	AKG05FS05MZEX		24	8	6	2	80
			FS05C							SGEA01FS05C	AKG05FS05CZEX				7	2	
FS100	SGEA01FS100	AKG05FS100ZEX	9.7-1.8	2.4													
FS1C0	SGEA01FS1C0	AKG05FS1C0ZEX	12	3													
FS1M0	SGEA01FS1M0	AKG05FS1MOZEX	13.9-1.8	3													
FSZBR	SGEA01FSZBR	AKG05FSZBRZEX	9.8-1.5	2													
		FS200	SGEA21M04048	EGE 2	SGEA21FS200	AKG05FS200ZEX	24	8	17.2-1.8	3.5/4	94						
		FSZFR			SGEA21FSZFR	AKG05FSZFRZEX			16.9	3							
100 112	28x60	FS100	SGEA21M05055	EGE 2	SGEA21FS100	AKG07FS100ZEX	28	8	9.7-1.8	2.4	94						
		FS1C0			SGEA21FS1C0	AKG07FS1C0ZEX			12	3							
		FS1M0			SGEA21FS1M0	AKG07FS1MOZEX			13.9-1.8	3							
		FSZBR			SGEA21FSZBR	AKG07FSZBRZEX			25.2-1.5	5							
		FS200			SGEA21FS200	AKG07FS200ZEX			17.2-1.8	3.2/4							
		FSZFR			SGEA21FSZFR	AKG07FSZFRZEX			16.9-1.5	3							
		FS25T			SGEA21FS300	AKG07FS300ZEX			22.22-1.8	4							
		FS300			SGEA21FS300	AKG07FS300ZEX			22.22-1.8	4							
		FS3M0			SGEA21FS300	AKG07FS300ZEX			22.22-1.8	4							
		FS3T0			SGEA21FS300	AKG07FS300ZEX			22.22-1.8	4							

IEC Motors B3/5 - standard gear pump

IEC - Electric motors Motor size	Shaft end [Ø x L]	Pump identification code	Components								
			Motor half-coupling code	Spider code	Pump half-coupling code	Complete coupling kit code	ØM.	Key M.	ØP.	Key P.	Tot. L.
132	38x80	FS100	SGEA31M06077	EGE 3	SGEA31FS100	AKG11FS100ZEX	38	10	9.7-1.8	2.4	135
		FS1C0			SGEA31FS1C0	AKG11FS1C0ZEX			12	3	
		FS1M0			SGEA31FS1M0	AKG11FS1M0ZEX			13.9-1.8	3	
		FSZGR			SGEA31FSZGR	AKG11FSZGRZEX			25.2-1.5	5	
		FS200			SGEA31FS200	AKG11FS200ZEX			17.2-1.8	3.2/4	
		FSZFR			SGEA31FSZFR	AKG11FSZFRZEX			16.9-1.5	3	
		FS25T			SGEA31FS25T	AKG11FS25TZEX			22.22-1.8	4	
		FS300			SGEA31FS300	AKG11FS300ZEX			22.22-1.8	4	
		FS3M0			SGEA31FS3M0	AKG11FS3M0ZEX			22.22-1.8	4	
		FS3T0			SGEA31FS3T0	AKG11FS3T0ZEX			22.22-1.8	4	
		FS35M			SGEA31FS35M	AKG11FS35MZEX			25.6-1.5	4.76/5	
		FS350			SGEA31FS350	AKG11FS350ZEX			25.6-1.5	4.76/5	
160	42x110	FSZGR	SGEA51M07109	EGE 5	SGEA51FSZGR	AKG12FSZGRZEX	42	12	25.2-1.5	5	167
		FS200			SGEA51FS200	AKG12FS200ZEX			17.2-1.8	3.2/4	
		FSZFR			SGEA51FSZFR	AKG12FSZFRZEX			16.9-1.5	3	
		FS25T			SGEA51FS25T	AKG12FS25TZEX			22.22-1.8	4	
		FS300			SGEA51FS300	AKG12FS300ZEX			22.22-1.8	4	
		FS3M0			SGEA51FS3M0	AKG12FS3M0ZEX			22.22-1.8	4	
		FS3T0			SGEA51FS3T0	AKG12FS3T0ZEX			22.22-1.8	4	
		FS35M			SGEA51FS35M	AKG12FS35MZEX			25.6-1.5	4.76/5	
		FS350			SGEA51FS350	AKG12FS350ZEX			25.6-1.5	4.76/5	
		180			48x110	FSZGR			SGEA51M08109	EGE 5	
FS200	SGEA51FS200		AKG13FS200ZEX	17.2-1.8		3.2/4					
FSZFR	SGEA51FSZFR		AKG13FSZFRZEX	16.9-1.5		3					
FS25T	SGEA51FS25T		AKG13FS25TZEX	22.22-1.8		4					
FS300	SGEA51FS300		AKG13FS300ZEX	22.22-1.8		4					
FS3M0	SGEA51FS3M0		AKG13FS3M0ZEX	22.22-1.8		4					
FS3T0	SGEA51FS3T0		AKG13FS3T0ZEX	22.22-1.8		4					
FS35M	SGEA51FS35M		AKG13FS35MZEX	25.6-1.5		4.76/5					
FS350	SGEA51FS350		AKG13FS350ZEX	25.6-1.5		4.76/5					
200	55x110		FS200	SGEA51M09109		EGE 5	SGEA51FS200	AKG16FS200ZEX			55
		FS300	SGEA51FS300		AKG16FS300ZEX		22.22-1.8	4			
		FS3M0	SGEA51FS3M0		AKG16FS3M0ZEX		22.22-1.8	4			
		FS35M	SGEA51FS35M		AKG16FS35MZEX		25.6-1.5	4.76/5			
		FS350	SGEA51FS350		AKG16FS350ZEX		25.6-1.5	4.76/5			
		FSZFR	SGEA51FSZFR		AKG16FSZFRZEX		16.9-1.5	3			
		FSZGR	SGEA51FSZGR		AKG16FSZGRZEX		25.2-1.5	5			
225	60x140	FS300	SGEG60M10110	EGE 6	SGEG60FS300	AKG18FS300ZEX	60	18	22.22-1.8	4	167
		FS3M0			SGEG60FS3M0	AKG18FS3M0ZEX			22.22-1.8	4	
		FS35M			SGEG60FS35M	AKG18FS35MZEX			25.6-1.5	4.76/5	
		FS350			SGEG60FS350	AKG18FS350ZEX			25.6-1.5	4.76/5	
		FSZGR			SGEG60FSZGR	AKG18FSZGRZEX			25.2-1.5	5	
250	65x140	FS300	SGEG60M11140	EGE 6	SGEG60FS300	AKG20FS300ZEX	65	18	22.22-1.8	4	168
		FS3M0			SGEG60FS3M0	AKG20FS3M0ZEX			22.22-1.8	4	
		FS35M			SGEG60FS35M	AKG20FS35MZEX			25.6-1.5	4.76/5	
		FS350			SGEG60FS350	AKG20FS350ZEX			25.6-1.5	4.76/5	
		FSZGR			SGEG60FSZGR	AKG20FSZGRZEX			25.2-1.5	5	
280	75x140	FS300	SGEG80M12140	EGE 8	SGEG80FS300	AKG22FS300ZEX	75	20	22.22-1.8	4	198
		FS3M0			SGEG80FS3M0	AKG22FS3M0ZEX			22.22-1.8	4	
		FS35M			SGEG80FS35M	AKG22FS35MZEX			25.6-1.5	4.76/5	
		FS350			SGEG80FS350	AKG22FS350ZEX			25.6-1.5	4.76/5	
		FSZGR			SGEG80FSZGR	AKG22FSZGRZEX			25.2-1.5	5	
315	80x170	FS300	SGEG80M13170	EGE 8	SGEG80FS300	AKG26FS300ZEX	80	22	22.22-1.8	4	228
		FS3M0			SGEG80FS3M0	AKG26FS3M0ZEX			22.22-1.8	4	
		FS35M			SGEG80FS35M	AKG26FS35MZEX			25.6-1.5	4.76/5	
		FS350			SGEG80FS350	AKG26FS350ZEX			25.6-1.5	4.76/5	
		FSZGR			SGEG80FSZGR	AKG26FSZGRZEX			25.2-1.5	5	

IEC Electric motors B14 mounting

IEC - Electric motors		Pump identification code	Components									
Motor size	Shaft end [Ø x L]		Motor half-coupling code	Spider code	Pump half-coupling code	Complete coupling kit code	ØM.	Key M.	ØP.	Key P.	Tot. L.	
63	11x23	FS05M	SGEA01M01019	EGE0	SGEA00FS05M	AKG43FS05MZEX	11	4	6	2	50	
		FS05C			SGEA01FS05C	AKG43FS05CZEX			7	2		
		FS100			SGEA01FS100	AKG43FS100ZEX			9.7-1:8	2.4		
		FS1C0			SGEA01FS1C0	AKG43FS1C0ZEX			12	3		
		FS1M0			SGEA01FS1M0	AKG43FS1M0ZEX			13.9-1:8	3		
		FSZBR			SGEA01FSZBR	AKG43FSZBRZEX			9.8-1:5	2		
71	14x30	FS05M	SGEA01M02028	EGE 0	SGEA01FS05M	AKG44FS05MZEX	14	5	6	2	59	
		FS05C			SGEA01FS05C	AKG44FS05CZEX			7	2		
		FS100			SGEA01FS100	AKG44FS100ZEX			9.7-1:8	2.4		
		FS1C0			SGEA01FS1C0	AKG44FS1C0ZEX			12	3		
		FS1M0			SGEA01FS1M0	AKG44FS1M0ZEX			13.9-1:8	3		
		FSZBR			SGEA01FSZBR	AKG44FSZBRZEX			9.8-1:5	2		
80	19x40	FS05M	SGEA01M03048	EGE 0	SGEA01FS05M	AKG45FS05MZEX	19	6	6	2	79	
		FS05C			SGEA01FS05C	AKG45FS05CZEX			7	2		
		FS100			SGEA01FS100	AKG45FS100ZEX			9.7-1:8	2.4		
		FS1C0			SGEA01FS1C0	AKG45FS1C0ZEX			12	3		
		FS1M0			SGEA01FS1M0	AKG45FS1M0ZEX			13.9-1:8	3		
		FSZBR			SGEA01FSZBR	AKG45FSZBRZEX			9.8-1:5	2		
			FS200	SGEA21M03048	EGE 2	SGEA21FS200	AKG45FS200ZEX	19	6	17.2-1:8	3.2/4	87
			FSZFR			SGEA21FSZFR	AKG45FSZFRZEX			16.9	3	
90	24x50	FS05M	SGEA01M04048	EGE 0	SGEA01FS05M	AKG46FS05MZEX	24	8	6	2	79	
		FS05C			SGEA01FS05C	AKG46FS05CZEX			7	2		
		FS100			SGEA01FS100	AKG46FS100ZEX			9.7-1:8	2.4		
		FS1C0			SGEA01FS1C0	AKG46FS1C0ZEX			12	3		
		FS1M0			SGEA01FS1M0	AKG46FS1M0ZEX			13.9-1:8	3		
		FSZBR			SGEA01FSZBR	AKG46FSZBRZEX			9.8-1:5	2		
			FS200	SGEA21M04048	EGE 2	SGEA21FS200	AKG46FS200ZEX	24	8	17.2-1:8	3.5/4	87
			FSZFR			SGEA21FSZFR	AKG46FSZFRZEX			16.9	3	
100 112	28x60	FS05M	SGEA21M05055	EGE 2	SGEA21FS05M	AKG48FS05MZEX	28	8	6	2	94	
		FS05C			SGEA21FS05C	AKG48FS05CZEX			7	2		
		FS100			SGEA21FS100	AKG48FS100ZEX			9.7-1:8	2.4		
		FS1C0			SGEA21FS1C0	AKG48FS1C0ZEX			12	3		
		FS1M0			SGEA21FS1M0	AKG48FS1M0ZEX			13.9-1:8	3		
		FSZBR			SGEA21FSZBR	AKG48FSZBRZEX			9.8-1:5	2		
		FS200			SGEA21FS200	AKG48FS200ZEX			17.2-1:8	3.5/4		
		FSZFR			SGEA21FSZFR	AKG48FSZFRZEX			16.9	3		