

MPFX series

Maximum working pressure up to 0.8 MPa (8 bar) - Flow rate up to 900 l/min



Description

Return filter

Maximum working pressure up to 0.8 MPa (8 bar)
Flow rate up to 900 l/min

MPFX is a range of return filters for protection of the reservoir against the system contamination.

They are directly fixed to the reservoir, in immersed or semi-immersed position.

The filter output must be always immersed into the fluid to avoid aeration or foam generation into the reservoir.

Available features:

- Female threaded connections up to 2" and flanged connections up to 2", for a maximum flow rate of 900 l/min
- Multiple connections, to connect several return lines or drains
- Fine filtration rating, to get a good cleanliness level into the reservoir
- Bypass valve integrated into the filter element, to relieve excessive pressure drop across the filter media
- 2, 3 or 4 fixing holes for installation, to suit a variety of reservoir surfaces
- O-ring or Flat Seal to suit a variety of reservoir surfaces
- Oil dipstick, to easily check the level of the fluid into the reservoir (sold as separate item)
- Extension tube, to be used in deep reservoirs (sold as separate item)
- Diffuser, to reduce the risk of aeration, foaming and noise (sold as separate item)
- Filler plug, to fill cleaned fluid into the tank without an additional connection
- Visual, electrical and electronic clogging indicators
- MYclean interface connection, to protect the product against non-original spare parts
- External protective wrap, to optimize the flow through the element and to save the element efficiency against non-proper handling

Common applications:

- Light Industrial equipment
- Mobile application

Technical data

Filter housing materials

- Head: Aluminium
- Cover: Polyamide: MPFX 030-100-104-110
Aluminium: MPFX 181-182-184-191-192-194-400-410-450-750
- Bowl: Polyamide

Pressure

- Test pressure: 1.2 MPa (12 bar)
- Min. Burst pressure: 2.4 MPa (24 bar)
- Pulse pressure fatigue test: 1 000 000 cycles with pressure from 0 to 0.8 MPa (8 bar)

Bypass valve

- Opening pressure 0.175 MPa (1.75 bar) ±10%
- Opening pressure 0.3 MPa (3 bar) ±10%

Filter element features

Filter MPFX		Filter element MFX	
Δp Element type			
Element media	Construction	Δp Series	Δp
A - Microfiber	Standard	D	10 bar
M - Wire mesh	Standard	D	10 bar
P - Paper	Standard	D	10 bar
<i>Please see ordering code tables to check element Δp series availability based on filter features.</i>			
Flow direction through the filter element:			
From OUT to IN			

Seals

- Standard NBR series A or W
- Optional FPM series V or Z

Temperature

From -25 °C to +110 °C

Note

MPFX filters are provided for vertical mounting

Weights [kg] and volumes [dm³]

Filter series	Weights [kg]				Volumes [dm ³]					
	Length	10	20	30	40	Length	10	20	30	40
MPFX 030		0.40	-	-	-		0.29	-	-	-
MPFX 100		0.61	0.64	0.67	0.74		0.64	0.85	1.20	1.65
MPFX 104		0.82	0.96	1.02	1.25		0.64	0.85	1.20	1.65
MPFX 110		0.64	0.68	0.71	0.78		-	-	-	-
MPFX 181		2.20	3.00	-	-		2.50	4.00	-	-
MPFX 182		2.30	3.10	-	-		2.50	4.00	-	-
MPFX 184		2.55	3.45	-	-		2.65	4.45	-	-
MPFX 191		-	3.00	-	-		-	4.25	-	-
MPFX 192		-	3.10	-	-		-	4.25	-	-
MPFX 194		-	3.45	-	-		-	4.45	-	-
MPFX 400		3.35	3.65	3.90	-		3.70	4.60	5.40	-
MPFX 410		3.55	3.85	4.10	-		3.70	4.60	5.40	-
MPFX 450		3.95	4.25	4.50	-		3.70	4.60	5.40	-
MPFX 750		6.30	-	-	-		8.45	-	-	-

Flow rates [l/min]

Filter series	Length	Filter element design - D series					Filter element design - D series		
		A0003	A0006	A0010	A0016	A0025	M0025 M0060 M0090	P0010	P0025
MPFX 030	10	7	10	24	29	47	84	60	66
MPFX 100-104-110	10	18	20	53	56	65	153	87	96
	20	28	38	65	75	95	158	111	123
	300	48	55	125	135	169	289	224	251
	4	79	89	180	185	198	306	264	289
MPFX 181-182-184	10	127	148	235	243	278	441	285	299
	20	231	262	358	382	388	472	404	412
MPFX 191-192-194	20	261	305	489	528	546	696	583	598
MPFX 400	10	150	171	294	304	350	585	370	390
	20	237	252	454	462	589	868	619	645
	30	248	288	553	609	621	885	680	703
MPFX 410	10	146	167	277	285	325	512	341	357
	20	226	239	396	402	485	644	503	519
	30	236	269	462	497	505	653	539	553
MPFX 450	10	150	171	294	304	350	585	370	390
	20	237	252	454	462	589	868	619	645
	30	248	288	553	609	621	885	680	703
MPFX 750	10	392	465	623	700	769	929	804	819

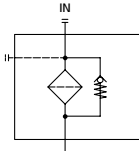
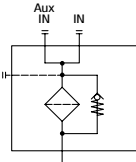
Maximum flow rate for a complete return filter with a pressure drop $\Delta p = 0.5$ bar.

The reference fluid has a kinematic viscosity of 30 mm²/s (cSt) and a density of 0.86 kg/dm³.

For different pressure drop or fluid viscosity we recommend to use our selection software available on www.mpfiltri.com.

You can also calculate the right size using the formulas present on the FILTER SIZING paragraph at the beginning of the full catalogue or at the beginning of the filter family brochure. Please, contact our Sales Department for further additional information.

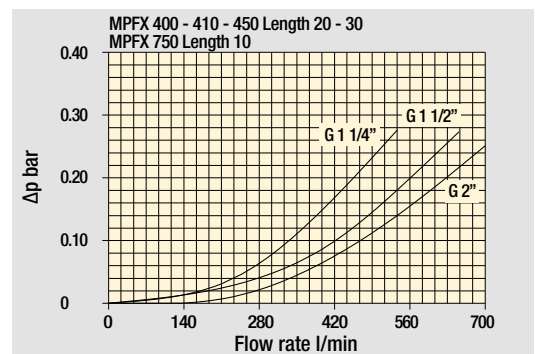
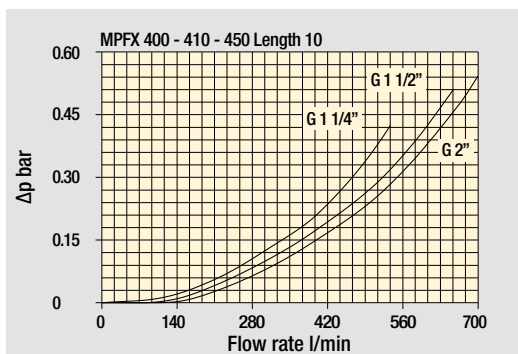
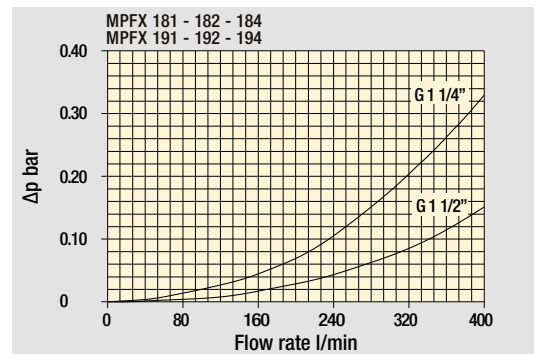
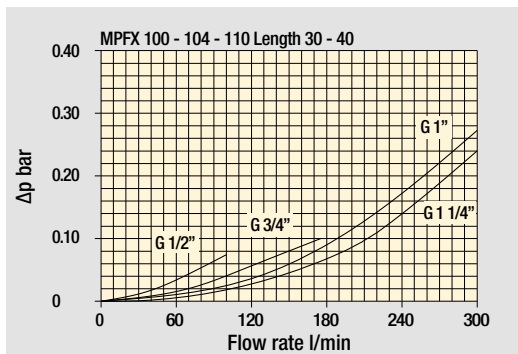
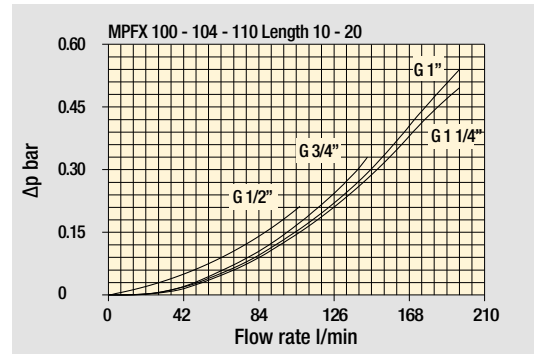
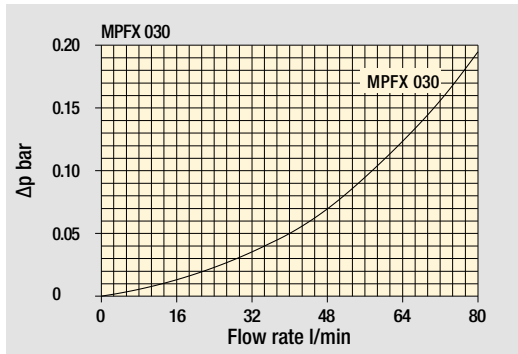
Filter series	17/30 - with bypass 1.75 bar/ 3 bar	
	Style 1 connection	Style 2 connections
MPFX 030	•	-
MPFX 100	•	-
MPFX 104	•	-
MPFX 110	-	•
MPFX 181	•	-
MPFX 182	-	•
MPFX 184	•	•
MPFX 191	•	-
MPFX 192	•	-
MPFX 194	•	•
MPFX 400	•	-
MPFX 410	-	•
MPFX 450	•	-
MPFX 750	•	-

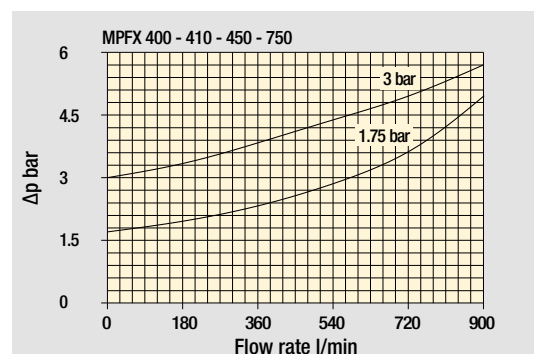
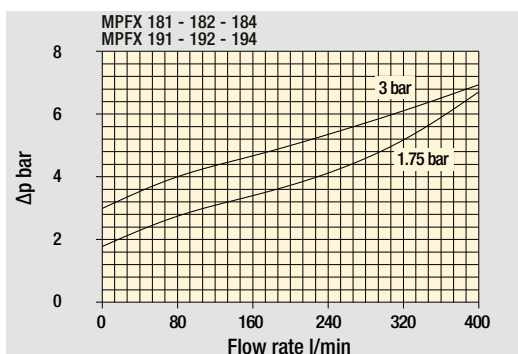
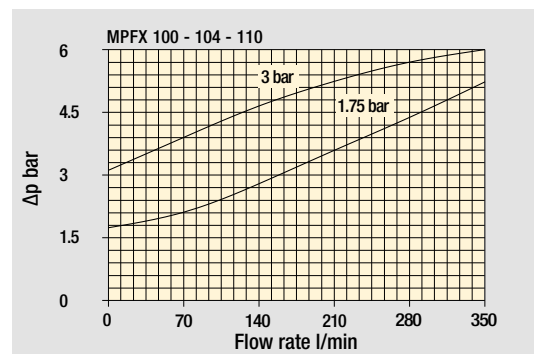
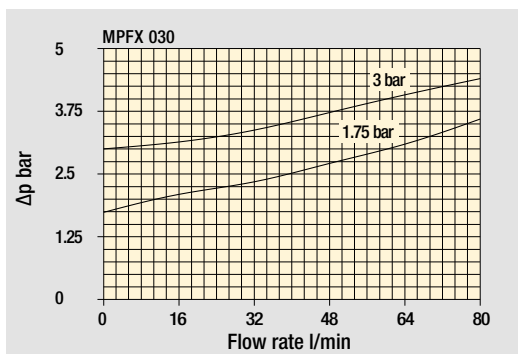
Hydraulic diagram

Pressure drop

Filter housings Δp pressure drop

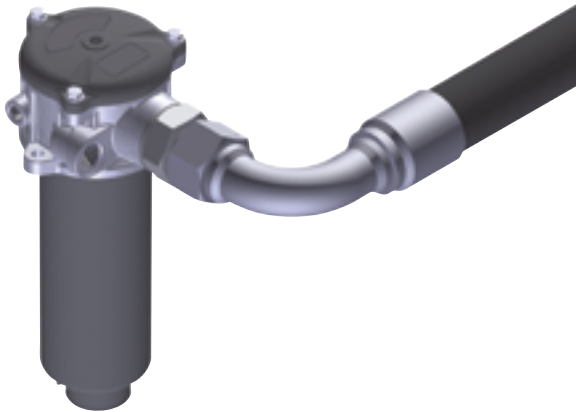


Bypass valve pressure drop

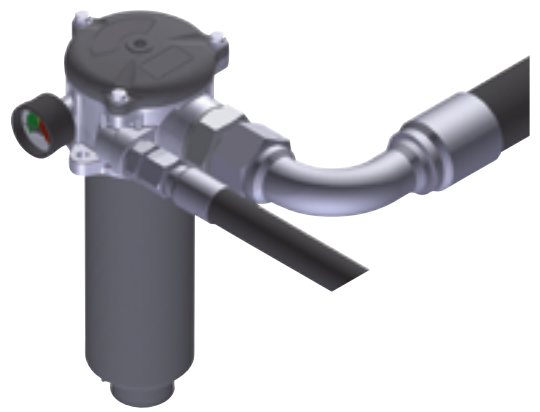


The curves are plotted using mineral oil with density of 0.86 kg/dm³ in compliance with ISO 3968. Δp varies proportionally with density.

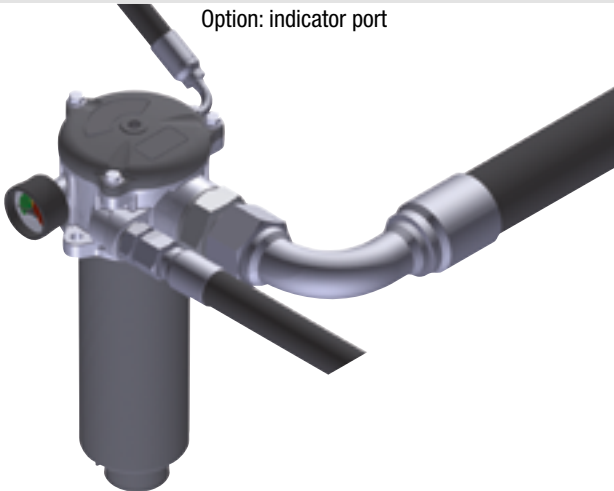
Standard - Single IN port



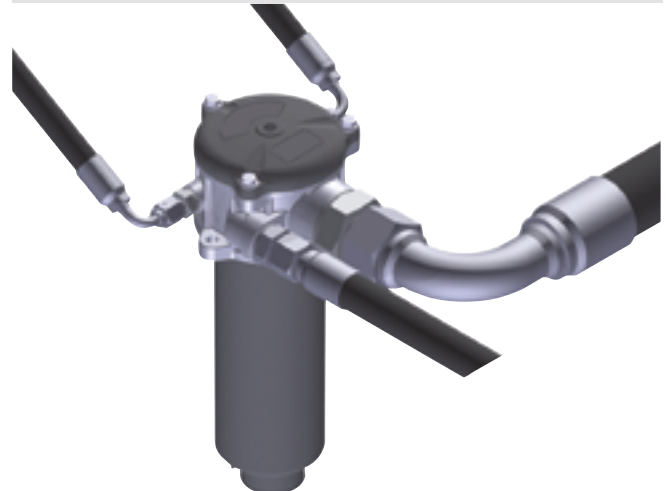
Double IN port
Option: double indicator port



Double IN port - Drain port
Option: indicator port




Double IN port - Double drain port



Designation & Ordering code

COMPLETE FILTER



Example: **MPFX** **030** **10** **Z0010** **D** **A** **30** **FS008** **0** **1T** **NN** **P01** **NN**

Series
MPFX Filter featuring  Filter Element

Size
030

Length
10

Filtration rating (filter media)

	A0003 Inorganic microfiber 3 µm		Z0003 Antistatic in. microf. 3 µm
	A0006 Inorganic microfiber 6 µm		Z0006 Antistatic in. microf. 6 µm
	A0010 Inorganic microfiber 10 µm		Z0010 Antistatic in. microf. 10 µm
	A0016 Inorganic microfiber 16 µm		Z0016 Antistatic in. microf. 16 µm
	A0025 Inorganic microfiber 25 µm		Z0025 Antistatic in. microf. 25 µm
	M0025 Wire mesh 25 µm		
	M0060 Wire mesh 60 µm		
	M0090 Wire mesh 90 µm		
	P0010 Resin impregnated paper 10 µm		
	P0025 Resin impregnated paper 25 µm		

Element Δp
D 10 bar

Seals and treatments

	A0xxx	M0xxx	P0xxx	Z0xxx
A NBR	•	•	•	•
V FPM	•	•	•	•
W NBR with filter and components surface treatment	•	•	-	•
Z FPM with filter and components surface treatment	•	•	-	•

Bypass
17 With bypass 1.75 bar
30 With bypass 3.0 bar

Connections
FG012 G 1/2" **FN012** 1/2" NPT **FS008** SAE 8 - 3/4" - 16 UNF

Additional connections
0 Without additional connections

Connections for clogging indicators
1T With top indicator connection, with metal plug

Additional features
NN Without additional features

Execution
P01 Standard catalogue item

Certificates
NN None

CLOGGING INDICATORS

See pages 776-777

- BVA** Axial pressure gauge
- BVR** Radial pressure gauge
- BVP** Visual pressure indicator with automatic reset
- BVQ** Visual pressure indicator with manual reset

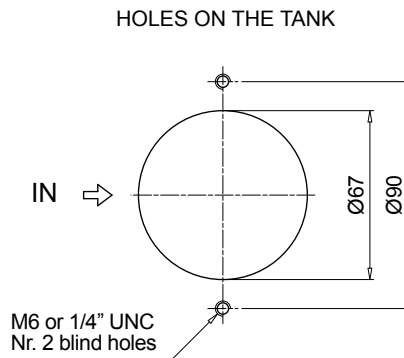
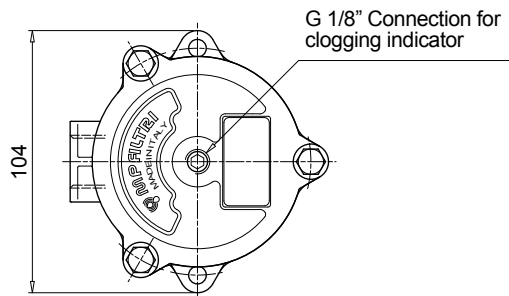
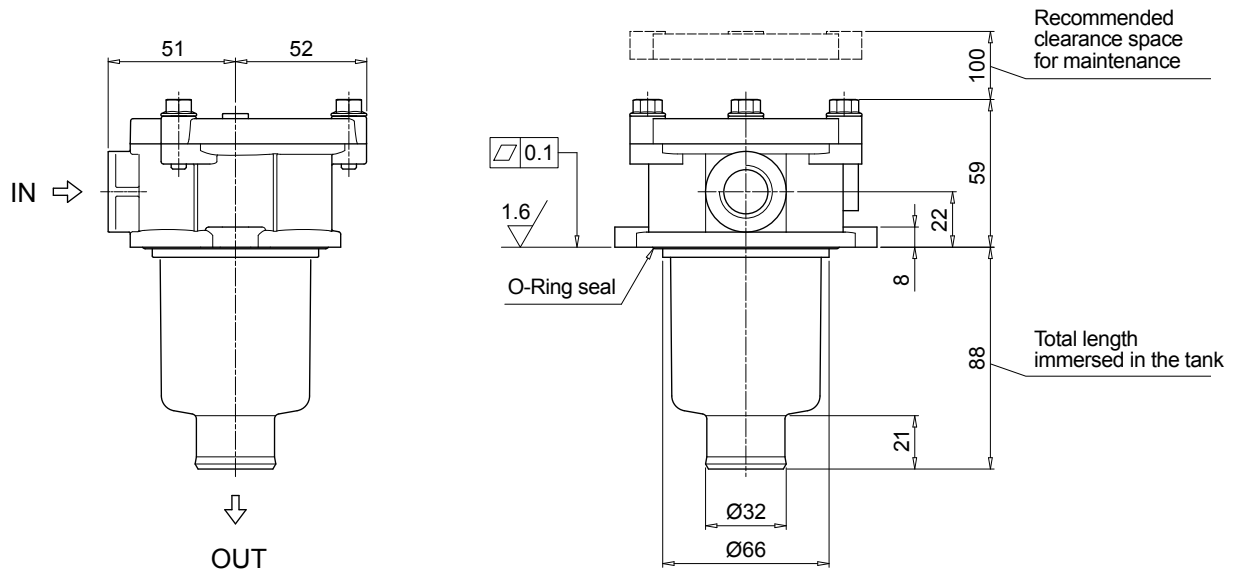
- BEA** Electrical pressure indicator
- BEM** Electrical pressure indicator
- BLA** Electrical / visual pressure indicator

ACCESSORIES

See page 270


- TE** Polyamide extension tube

FILTER ELEMENT																							
Series MFX Filter element with MY CLEAN feature	Example: MFX 030 10 Z0010 D A 30 NN P01 NN																						
Size 030																							
Length 10																							
Filtration rating (filter media)																							
<table border="1"> <tr> <td rowspan="10">MY CLEAN</td> <td>A0003 Inorganic microfiber 3 µm</td> <td rowspan="10">zerospark</td> <td>Z0003 Antistatic in. microf. 3 µm</td> </tr> <tr> <td>A0006 Inorganic microfiber 6 µm</td> <td>Z0006 Antistatic in. microf. 6 µm</td> </tr> <tr> <td>A0010 Inorganic microfiber 10 µm</td> <td>Z0010 Antistatic in. microf. 10 µm</td> </tr> <tr> <td>A0016 Inorganic microfiber 16 µm</td> <td>Z0016 Antistatic in. microf. 16 µm</td> </tr> <tr> <td>A0025 Inorganic microfiber 25 µm</td> <td>Z0025 Antistatic in. microf. 25 µm</td> </tr> <tr> <td>M0025 Wire mesh 25 µm</td> <td></td> </tr> <tr> <td>M0060 Wire mesh 60 µm</td> <td></td> </tr> <tr> <td>M0090 Wire mesh 90 µm</td> <td></td> </tr> <tr> <td>P0010 Resin impregnated paper 10 µm</td> <td></td> </tr> <tr> <td>P0025 Resin impregnated paper 25 µm</td> <td></td> </tr> </table>	MY CLEAN	A0003 Inorganic microfiber 3 µm	zerospark	Z0003 Antistatic in. microf. 3 µm	A0006 Inorganic microfiber 6 µm	Z0006 Antistatic in. microf. 6 µm	A0010 Inorganic microfiber 10 µm	Z0010 Antistatic in. microf. 10 µm	A0016 Inorganic microfiber 16 µm	Z0016 Antistatic in. microf. 16 µm	A0025 Inorganic microfiber 25 µm	Z0025 Antistatic in. microf. 25 µm	M0025 Wire mesh 25 µm		M0060 Wire mesh 60 µm		M0090 Wire mesh 90 µm		P0010 Resin impregnated paper 10 µm		P0025 Resin impregnated paper 25 µm		
MY CLEAN		A0003 Inorganic microfiber 3 µm		zerospark	Z0003 Antistatic in. microf. 3 µm																		
		A0006 Inorganic microfiber 6 µm			Z0006 Antistatic in. microf. 6 µm																		
		A0010 Inorganic microfiber 10 µm			Z0010 Antistatic in. microf. 10 µm																		
		A0016 Inorganic microfiber 16 µm			Z0016 Antistatic in. microf. 16 µm																		
		A0025 Inorganic microfiber 25 µm			Z0025 Antistatic in. microf. 25 µm																		
		M0025 Wire mesh 25 µm																					
		M0060 Wire mesh 60 µm																					
		M0090 Wire mesh 90 µm																					
		P0010 Resin impregnated paper 10 µm																					
	P0025 Resin impregnated paper 25 µm																						
Element Δp D 10 bar																							
Seals and treatments A NBR V FPM																							
Bypass 17 With bypass 1.75 bar 30 With bypass 3.0 bar																							
Additional features NN Without additional features																							
Execution P01 Standard catalogue item																							
Certificates NN None																							



Designation & Ordering code

COMPLETE FILTER

Series	Example 1:	MPFX	100	20	A0006	D	W	17	FG100	0	1T	NN	P01	NN	
MPFX	Filter featuring 	Example 2:	MPFX	104	40	P0010	D	A	30	FS012	0	1T	NN	P01	NN

Size	
100	104

Length	
10	30
20	40

Filtration rating (filter media)		
A0003	Inorganic microfiber	3 µm
A0006	Inorganic microfiber	6 µm
A0010	Inorganic microfiber	10 µm
A0016	Inorganic microfiber	16 µm
A0025	Inorganic microfiber	25 µm
M0025	Wire mesh	25 µm
M0060	Wire mesh	60 µm
M0090	Wire mesh	90 µm
P0010	Resin impregnated paper	10 µm
P0025	Resin impregnated paper	25 µm

Z0003	Antistatic in. microf.	3 µm
Z0006	Antistatic in. microf.	6 µm
Z0010	Antistatic in. microf.	10 µm
Z0016	Antistatic in. microf.	16 µm
Z0025	Antistatic in. microf.	25 µm

Element Δp	
D	10 bar

Seals and treatments	A0xxx	M0xxx	P0xxx	Z0xxx
A NBR	•	•	•	•
V FPM	•	•	•	•
W NBR with filter and components surface treatment	•	•	-	•
Z FPM with filter and components surface treatment	•	•	-	•

Bypass	
17	With bypass 1.75 bar
30	With bypass 3.0 bar

Connections		
FG012 G 1/2"	FN012 1/2" NPT	FS008 SAE 8 - 3/4" - 16 UNF
FG034 G 3/4"	FN034 3/4" NPT	FS012 SAE 12 - 1 1/16" - 12 UN
FG100 G 1"	FN100 1" NPT	FS016 SAE 16 - 1 5/16" - 12 UN

Additional connections	
0	Without additional connections

Connections for clogging indicators	
1T	With top indicator connection, with metal plug

Additional features	
NN	Without additional features

Execution	
P01	Standard catalogue item

Certificates	
NN	None

CLOGGING INDICATORS

See pages 776-777

BVA Axial pressure gauge	BEA Electrical pressure indicator
BVR Radial pressure gauge	BEM Electrical pressure indicator
BVP Visual pressure indicator with automatic reset	BLA Electrical / visual pressure indicator
BVQ Visual pressure indicator with manual reset	

ACCESSORIES

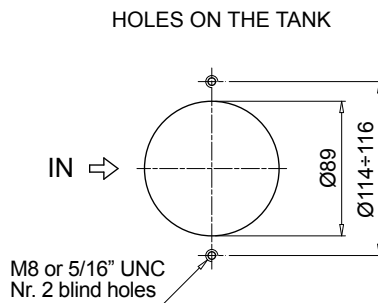
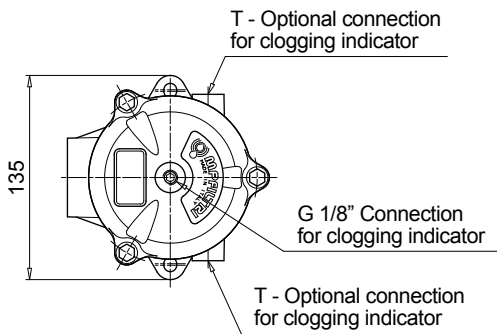
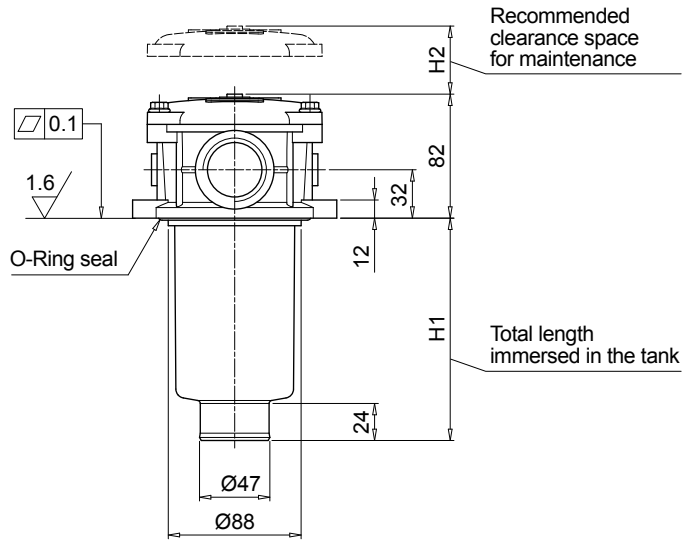
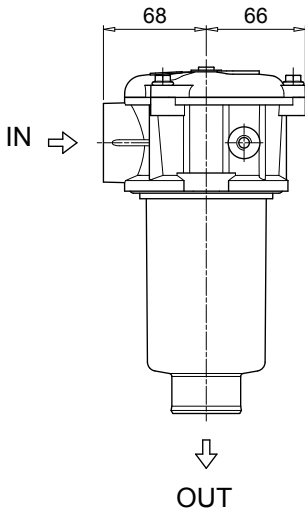
See page 270

TE Polyamide extension tube	DFS Diffuser with fast lock connection
T5 Filler plug M30x1.5	DPT Dipstick

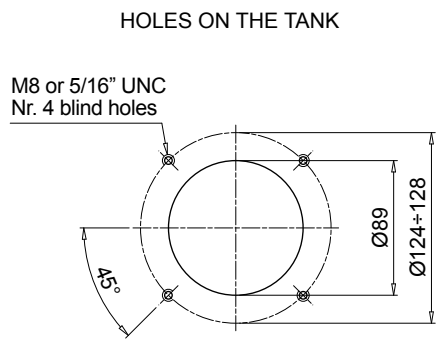
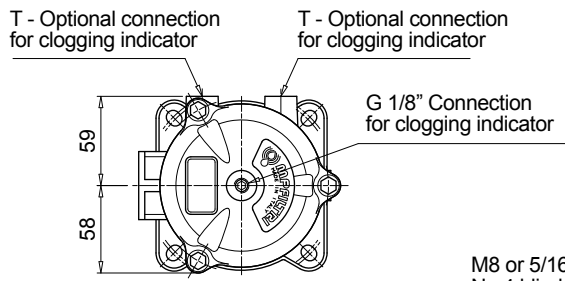
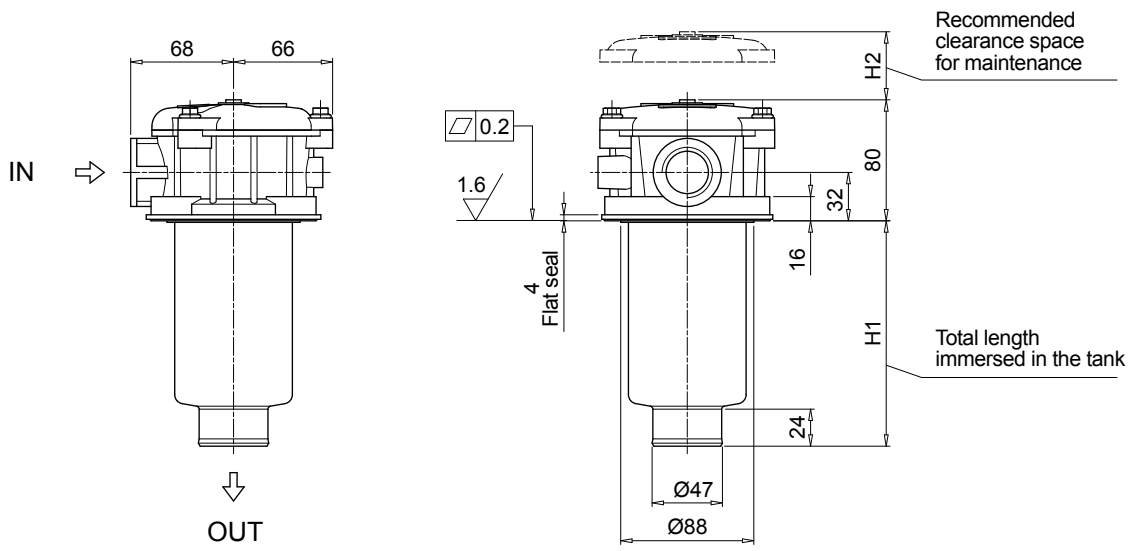
FILTER ELEMENT										
Series		Example 1: MFX 100 20 A0006 D A 17 NN P01 NN								
MFX Filter element with MY CLEAN feature		Example 2: MFX 100 40 P0010 D A 30 NN P01 NN								
Size										
100										
Length										
10 30										
20 40										
Filtration rating (filter media)										
MY CLEAN	A0003 Inorganic microfiber 3 µm	zerospark	Z0003 Antistatic in. microf. 3 µm							
	A0006 Inorganic microfiber 6 µm		Z0006 Antistatic in. microf. 6 µm							
	A0010 Inorganic microfiber 10 µm		Z0010 Antistatic in. microf. 10 µm							
	A0016 Inorganic microfiber 16 µm		Z0016 Antistatic in. microf. 16 µm							
	A0025 Inorganic microfiber 25 µm		Z0025 Antistatic in. microf. 25 µm							
	M0025 Wire mesh 25 µm									
	M0060 Wire mesh 60 µm									
	M0090 Wire mesh 90 µm									
	P0010 Resin impregnated paper 10 µm									
	P0025 Resin impregnated paper 25 µm									
Element Δp										
D 10 bar										
Seals and treatments										
A NBR										
V FPM										
Bypass										
17 With bypass 1.75 bar										
30 With bypass 3.0 bar										
Additional features										
NN Without additional features										
Execution										
P01 Standard catalogue item										
Certificates										
NN None										

Dimensions

MPFX100		
Filter length	H1 [mm]	H2 [mm]
10	102	120
20	147	170
30	225	250
40	327	350



MPFX104		
Filter length	H1 [mm]	H2 [mm]
10	100	120
20	145	170
30	223	250
40	325	350



Designation & Ordering code

COMPLETE FILTER

Example: **MPFX** **110** **20** **Z0025** **D** **Z** **30** **FN114** **2** **9T** **NN** **P01** **NN**

Series
MPFX Filter featuring **MY CLEAN** Filter Element

Size
110

Length
10 **30**
20 **40**

Filtration rating (filter media)		
A0003	Inorganic microfiber	3 µm
A0006	Inorganic microfiber	6 µm
A0010	Inorganic microfiber	10 µm
A0016	Inorganic microfiber	16 µm
A0025	Inorganic microfiber	25 µm
M0025	Wire mesh	25 µm
M0060	Wire mesh	60 µm
M0090	Wire mesh	90 µm
P0010	Resin impregnated paper	10 µm
P0025	Resin impregnated paper	25 µm

zérospark®

Z0003	Antistatic in. microf.	3 µm
Z0006	Antistatic in. microf.	6 µm
Z0010	Antistatic in. microf.	10 µm
Z0016	Antistatic in. microf.	16 µm
Z0025	Antistatic in. microf.	25 µm

Element Δp
D 10 bar

Seals and treatments		A0xxx	M0xxx	P0xxx	Z0xxx
A	NBR	•	•	•	•
V	FPM	•	•	•	•
W	NBR with filter and components surface treatment	•	•	-	•
Z	FPM with filter and components surface treatment	•	•	-	•

Bypass
17 With bypass 1.75 bar
30 With bypass 3.0 bar

Connections		
FG012 G 1/2"	FN012 1/2" NPT	FS008 SAE 8 - 3/4" - 16 UNF
FG034 G 3/4"	FN034 3/4" NPT	FS012 SAE 12 - 1 1/16" - 12 UN
FG100 G 1"	FN100 1" NPT	FS016 SAE 16 - 1 5/16" - 12 UN
FG114 G 1 1/4"	FN114 1 1/4" NPT	FS020 SAE 20 - 1 5/8" - 12 UN

Additional connections			
1	Main connection	FG012	FN012
	G 3/8"	FG034	FN034
		FG100	FN100
2	Main connection	FG012	FN012
	G 1/2"	FG034	FN034
		FG100	FN100
		FG114	FN114

3/8" NPT SAE 6 - 9/16" 18 UNF

1/2" NPT SAE 8 - 3/4" 16 UNF

Connections for clogging indicators
9T With multiple indicator connections, with metal plugs

Additional features	Execution	Certificates
NN Without additional features	P01 Standard catalogue item	NN None

CLOGGING INDICATORS

See pages 776-777

BVA Axial pressure gauge
BVR Radial pressure gauge
BVP Visual pressure indicator with automatic reset
BVQ Visual pressure indicator with manual reset

BEA Electrical pressure indicator
BEM Electrical pressure indicator
BLA Electrical / visual pressure indicator

ACCESSORIES

See page 270

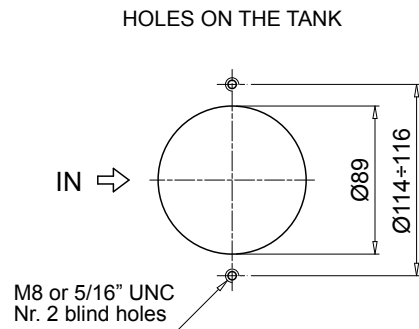
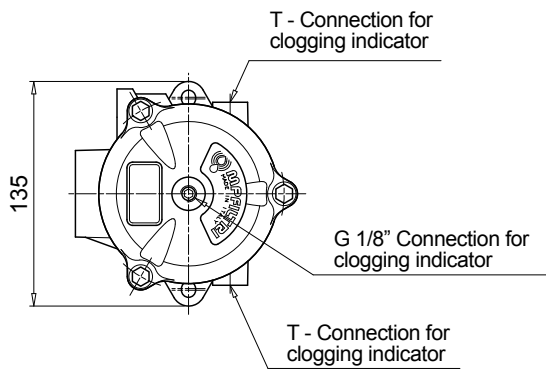
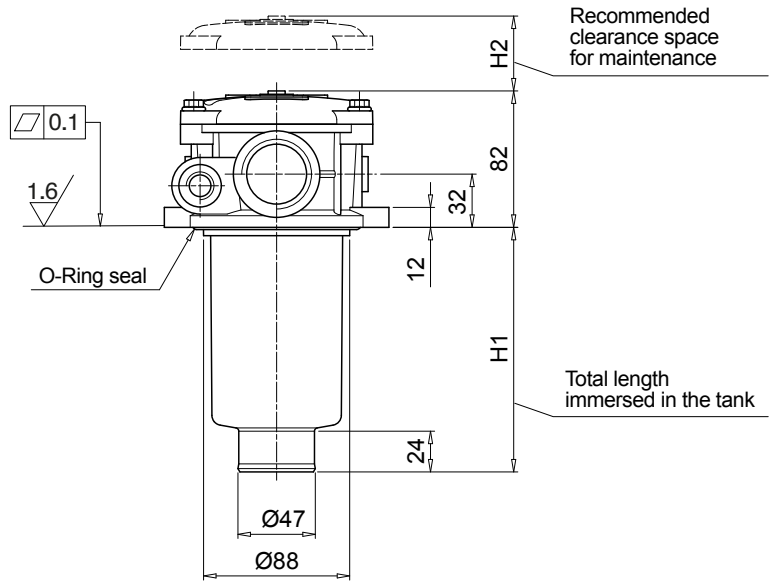
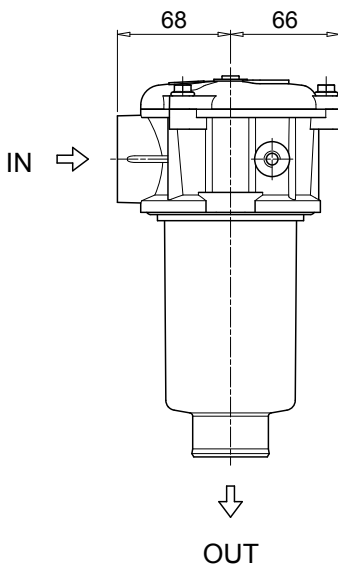
TE Polyamide extension tube
T5 Filler plug M30x1.5

DFS Diffuser with fast lock connection
DPT Dipstick

FILTER ELEMENT	
Series	Example: MFX 100 20 Z0025 D V 30 NN P01 NN
MFX Filter element with MY CLEAN feature	
Size	
100	
Length	
10 30	
20 40	
Filtration rating (filter media)	
MY CLEAN	
A0003 Inorganic microfiber 3 µm	Z0003 Antistatic in. microf. 3 µm
A0006 Inorganic microfiber 6 µm	Z0006 Antistatic in. microf. 6 µm
A0010 Inorganic microfiber 10 µm	Z0010 Antistatic in. microf. 10 µm
A0016 Inorganic microfiber 16 µm	Z0016 Antistatic in. microf. 16 µm
A0025 Inorganic microfiber 25 µm	Z0025 Antistatic in. microf. 25 µm
M0025 Wire mesh 25 µm	
M0060 Wire mesh 60 µm	
M0090 Wire mesh 90 µm	
P0010 Resin impregnated paper 10 µm	
P0025 Resin impregnated paper 25 µm	
zero spark	
Element Δp	
D 10 bar	
Seals and treatments	
A NBR	
V FPM	
Bypass	
17 With bypass 1.75 bar	
30 With bypass 3.0 bar	
Additional features	
NN Without additional features	
Execution	
P01 Standard catalogue item	
Certificates	
NN None	

Dimensions


MPFX110				
Filter length	H1 [mm]	H2 [mm]	Connection	T
10	102	120	FG012	G 1/8"
20	147	170	FG034	
30	225	250	FG100	
40	327	350	FG114	1/8" NPT
			FN012	
			FN034	
			FN100	
			FN114	
			FS008	
			FS012	
			FS016	
			FS020	



MPFX MPFX181 - MPFX191



Designation & Ordering code

COMPLETE FILTER

Series	Example 1:	MPFX	181	10	A0025	D	A	30	FG112	0	1T	NN	P01	NN	
MPFX	Filter featuring 	Example 2:	MPFX	191	20	P0010	D	V	17	FS024	0	1T	SN	P01	NN

Size	181	191
-------------	-----	-----

Length	Size 181	Size 191
10	•	-
20	•	•

Filtration rating (filter media)					
	A0003	Inorganic microfiber 3 µm		Z0003	Antistatic in. microf. 3 µm
	A0006	Inorganic microfiber 6 µm		Z0006	Antistatic in. microf. 6 µm
	A0010	Inorganic microfiber 10 µm		Z0010	Antistatic in. microf. 10 µm
	A0016	Inorganic microfiber 16 µm		Z0016	Antistatic in. microf. 16 µm
	A0025	Inorganic microfiber 25 µm		Z0025	Antistatic in. microf. 25 µm
	M0025	Wire mesh 25 µm			
	M0060	Wire mesh 60 µm			
	M0090	Wire mesh 90 µm			
	P0010	Resin impregnated paper 10 µm			
	P0025	Resin impregnated paper 25 µm			

Element Δp	D 10 bar
-------------------	----------

Seals and treatments	A0xxx	M0xxx	P0xxx	Z0xxx
A NBR	•	•	•	•
V FPM	•	•	•	•
W NBR with filter and components surface treatment	•	•	-	•
Z FPM with filter and components surface treatment	•	•	-	•

Bypass	
17	With bypass 1.75 bar
30	With bypass 3.0 bar

Connections			
FG114	G 1 1/4"	FN114 1 1/4" NPT	FS020 SAE 20 - 1 5/8" - 12 UN
FG112	G 1 1/2"	FN112 1 1/2" NPT	FS024 SAE 24 - 1 7/8" - 12 UN

Additional connections	0 Without additional connections
-------------------------------	----------------------------------

Connections for clogging indicators	1T With top indicator connection, with metal plug
--	---

Additional features	NN Without additional features
	SN With flat seal on head

Execution	P01 Standard catalogue item
------------------	-----------------------------

Certificates	NN None
---------------------	---------

CLOGGING INDICATORS

See pages 776-777

BVA Axial pressure gauge	BEA Electrical pressure indicator
BVR Radial pressure gauge	BEM Electrical pressure indicator
BVP Visual pressure indicator with automatic reset	BLA Electrical / visual pressure indicator
BVQ Visual pressure indicator with manual reset	

ACCESSORIES

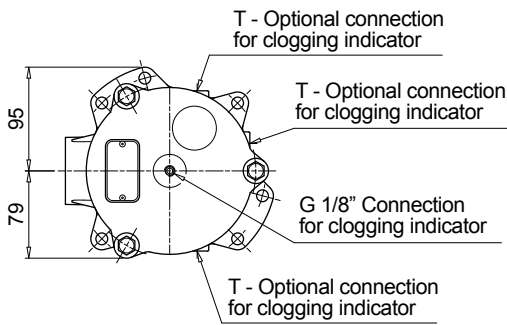
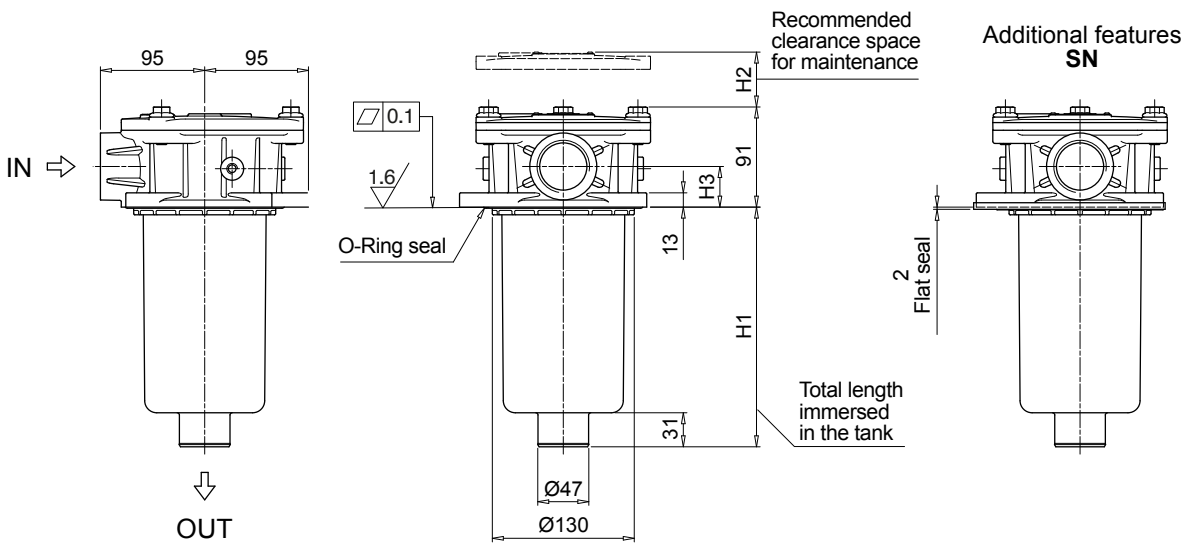
See page 270

TE Polyamide extension tube	DPT Dipstick
T5 Filler plug M30x1.5	

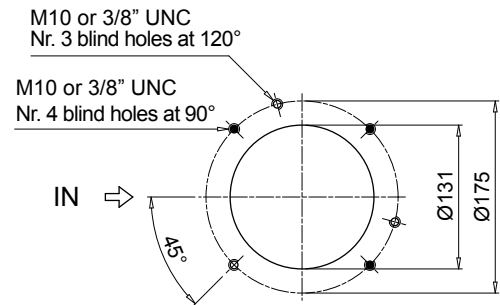
FILTER ELEMENT											
Series			Example 1: MFX 180 10 A0025 D A 30 NN P01 NN								
MFX Filter element with MY CLEAN feature			Example 2: MFX 180 20 P0010 D V 17 NN P01 NN								
Size											
180											
Length											
10											
20											
Filtration rating (filter media)											
MY CLEAN	A0003	Inorganic microfiber	3 µm	zerospark	Z0003	Antistatic in. microf.	3 µm				
	A0006	Inorganic microfiber	6 µm		Z0006	Antistatic in. microf.	6 µm				
	A0010	Inorganic microfiber	10 µm		Z0010	Antistatic in. microf.	10 µm				
	A0016	Inorganic microfiber	16 µm		Z0016	Antistatic in. microf.	16 µm				
	A0025	Inorganic microfiber	25 µm		Z0025	Antistatic in. microf.	25 µm				
	M0025	Wire mesh	25 µm								
	M0060	Wire mesh	60 µm								
	M0090	Wire mesh	90 µm								
	P0010	Resin impregnated paper	10 µm								
	P0025	Resin impregnated paper	25 µm								
Element Δp											
D 10 bar											
Seals and treatments											
A NBR											
V FPM											
Bypass											
17 With bypass 1.75 bar											
30 With bypass 3.0 bar											
Additional features											
NN Without additional features											
Execution											
P01 Standard catalogue item											
Certificates											
NN None											

Dimensions

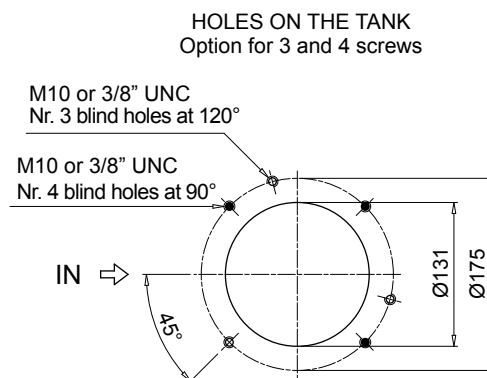
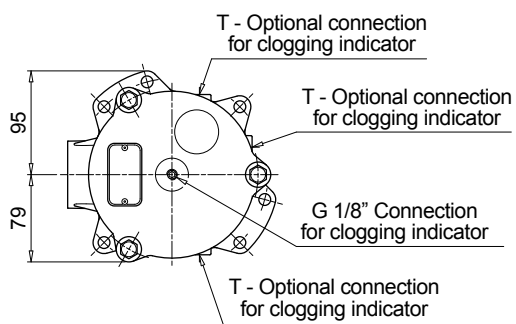
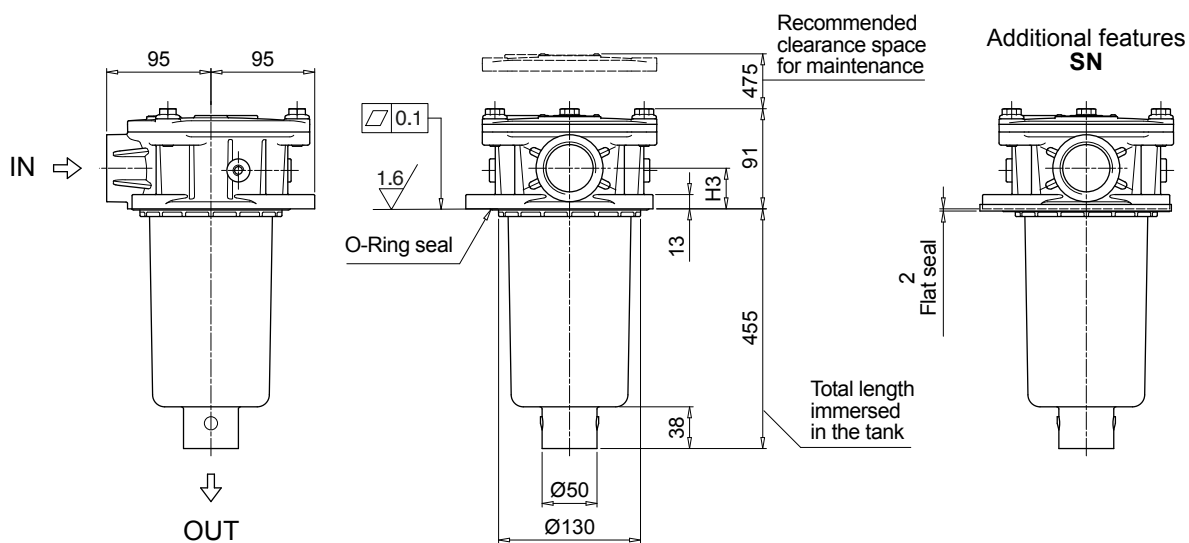
MPFX181				
Filter length	H1 [mm]	H2 [mm]	Connection	H3 [mm]
10	235	255	FG114	35
20	448	475	FN114	
			FS020	
			FG112	37
			FN112	
			FS024	



HOLES ON THE TANK
Option for 3 and 4 screws




MPFX191	
Connection	H3 [mm]
FG114	35
FN114	
FS020	
FG112	37
FN112	
FS024	



MPFX MPFX182 - MPFX192

Designation & Ordering code

COMPLETE FILTER

Series	Example 1:	MPFX	182	10	A0025	D	A	30	FN114	2	1T	NN	P01	NN	
MPFX	Filter featuring 	Example 2:	MPFX	192	20	P0010	D	V	17	FS020	1	1T	SN	P01	NN

Size	182	192
-------------	-----	-----

Length	Size 182	Size 192
10	•	-
20	•	•

Filtration rating (filter media)		
A0003	Inorganic microfiber	3 µm
A0006	Inorganic microfiber	6 µm
A0010	Inorganic microfiber	10 µm
A0016	Inorganic microfiber	16 µm
A0025	Inorganic microfiber	25 µm
M0025	Wire mesh	25 µm
M0060	Wire mesh	60 µm
M0090	Wire mesh	90 µm
P0010	Resin impregnated paper	10 µm
P0025	Resin impregnated paper	25 µm

zerospark	Z0003	Antistatic in. microf.	3 µm
	Z0006	Antistatic in. microf.	6 µm
	Z0010	Antistatic in. microf.	10 µm
	Z0016	Antistatic in. microf.	16 µm
	Z0025	Antistatic in. microf.	25 µm

Element Δp	D	10 bar
-------------------	---	--------

Seals and treatments	A0xxx	M0xxx	P0xxx	Z0xxx
A NBR	•	•	•	•
V FPM	•	•	•	•
W NBR with filter and components surface treatment	•	•	-	•
Z FPM with filter and components surface treatment	•	•	-	•

Bypass
17 With bypass 1.75 bar
30 With bypass 3.0 bar

Connections
FG114 G 1 1/4" FN114 1 1/4" NPT FS020 SAE 20 - 1 5/8" - 12 UN

Additional connections		
1	Front thread	FG114 G 1/2"
		FN114 1/2" NPT
		FS020 SAE 8 - 3/4" - 16 UNF
2	Front thread	FG114 G 3/4"
		FN114 3/4" NPT
		FS020 SAE 12 - 1 1/16" - 12 UN

Connections for clogging indicators
1T With top indicator connection, with metal plug

Additional features
NN Without additional features
SN With flat seal on head

Execution
P01 Standard catalogue item

Certificates
NN None

CLOGGING INDICATORS

See pages 776-777

BVA Axial pressure gauge	BEA Electrical pressure indicator
BVR Radial pressure gauge	BEM Electrical pressure indicator
BVP Visual pressure indicator with automatic reset	BLA Electrical / visual pressure indicator
BVQ Visual pressure indicator with manual reset	

ACCESSORIES

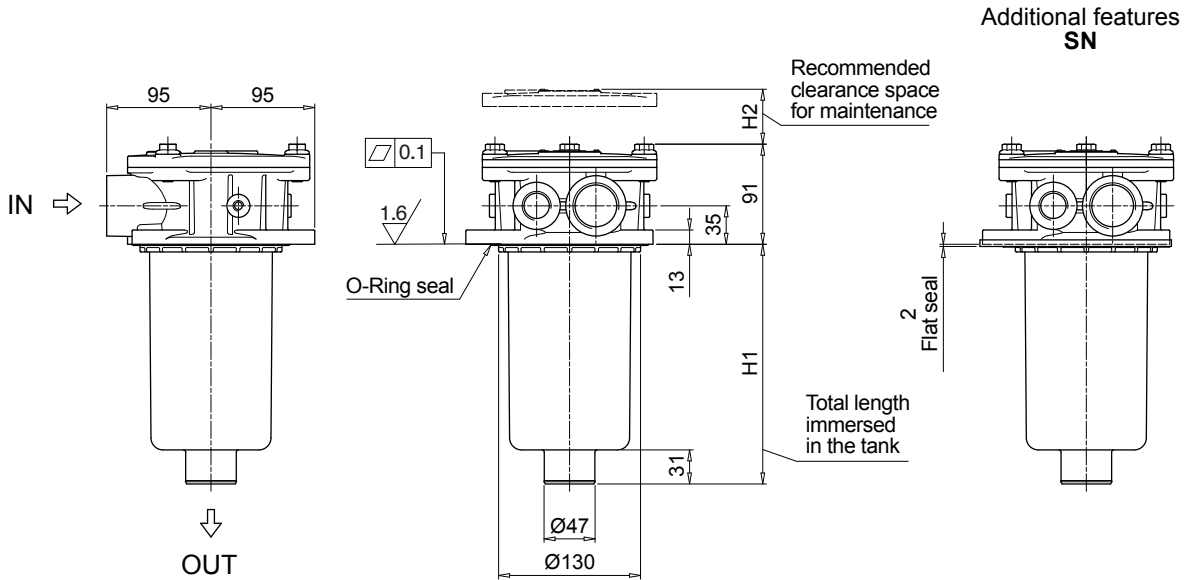
See page 270

TE Polyamide extension tube	DPT Dipstick
T5 Filler plug M30x1.5	

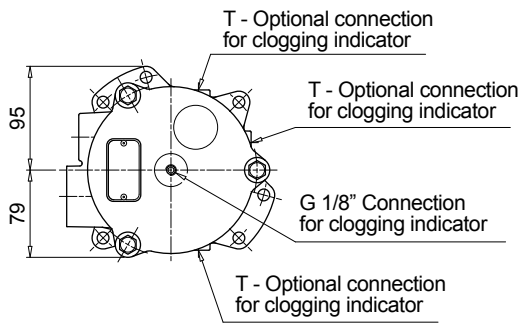
FILTER ELEMENT										
Series		Example 1: MFX 180 10 A0025 D A 30 NN P01 NN								
MFX Filter element with MY CLEAN feature		Example 2: MFX 180 20 P0010 D V 17 NN P01 NN								
Size										
180										
Length										
10										
20										
Filtration rating (filter media)										
MY CLEAN	A0003 Inorganic microfiber 3 µm	zerospark	Z0003 Antistatic in. microf. 3 µm							
	A0006 Inorganic microfiber 6 µm		Z0006 Antistatic in. microf. 6 µm							
	A0010 Inorganic microfiber 10 µm		Z0010 Antistatic in. microf. 10 µm							
	A0016 Inorganic microfiber 16 µm		Z0016 Antistatic in. microf. 16 µm							
	A0025 Inorganic microfiber 25 µm		Z0025 Antistatic in. microf. 25 µm							
	M0025 Wire mesh 25 µm									
	M0060 Wire mesh 60 µm									
	M0090 Wire mesh 90 µm									
	P0010 Resin impregnated paper 10 µm									
	P0025 Resin impregnated paper 25 µm									
Element Δp										
D 10 bar										
Seals and treatments										
A NBR										
V FPM										
Bypass										
17 With bypass 1.75 bar										
30 With bypass 3.0 bar										
Additional features										
NN Without additional features										
Execution										
P01 Standard catalogue item										
Certificates										
NN None										

Dimensions

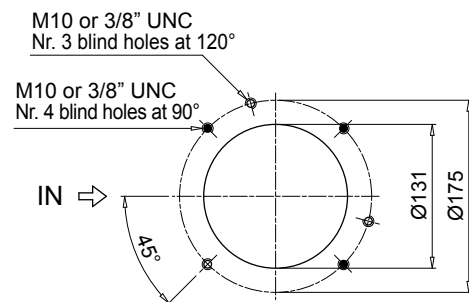
MPFX182		
Filter length	H1 [mm]	H2 [mm]
10	235	255
20	448	475



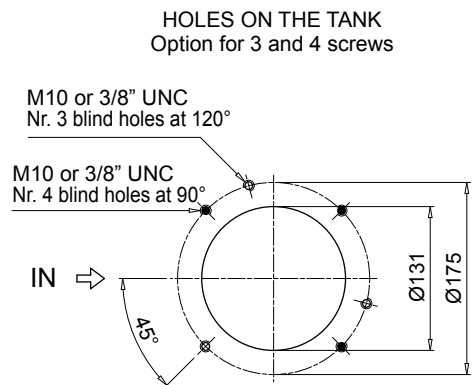
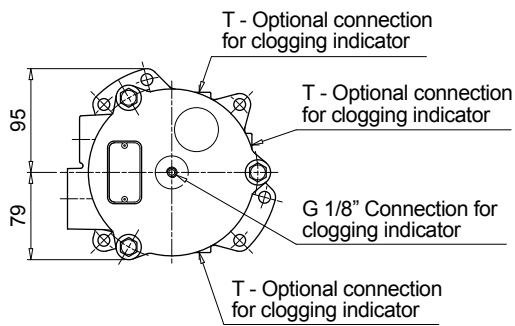
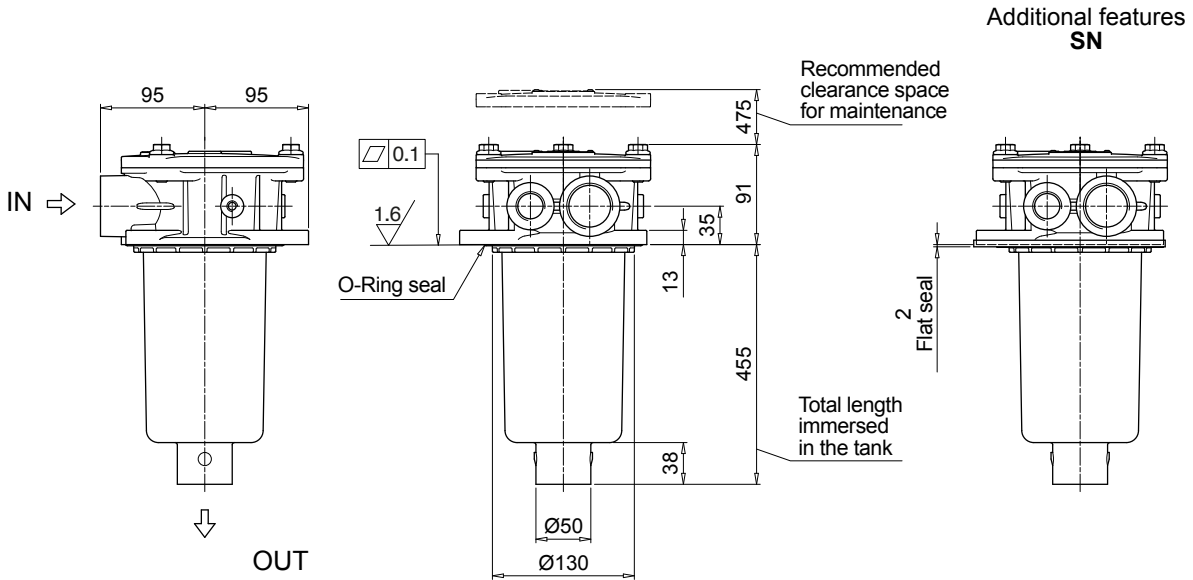
Additional features SN



HOLES ON THE TANK Option for 3 and 4 screws




MPFX192



MPFX MPFX184 - MPFX194

Designation & Ordering code

COMPLETE FILTER

Series	Example 1:	MPFX	184	10	A0025	D	A	30	FN114	0	9T	NN	P01	NN	
MPFX	Filter featuring 	Example 2:	MPFX	194	20	P0010	D	V	17	FS020	1	9T	NN	P01	NN

Size	184	194
-------------	-----	-----

Length	Size 184	Size 194
10	•	-
20	•	•

Filtration rating (filter media)		
A0003	Inorganic microfiber	3 µm
A0006	Inorganic microfiber	6 µm
A0010	Inorganic microfiber	10 µm
A0016	Inorganic microfiber	16 µm
A0025	Inorganic microfiber	25 µm
M0025	Wire mesh	25 µm
M0060	Wire mesh	60 µm
M0090	Wire mesh	90 µm
P0010	Resin impregnated paper	10 µm
P0025	Resin impregnated paper	25 µm

zérospark®	Z0003	Antistatic in. microf.	3 µm
	Z0006	Antistatic in. microf.	6 µm
	Z0010	Antistatic in. microf.	10 µm
	Z0016	Antistatic in. microf.	16 µm
	Z0025	Antistatic in. microf.	25 µm

Element Δp	D	10 bar
-------------------	---	--------

Seals and treatments	A0xxx	M0xxx	P0xxx	Z0xxx
A NBR	•	•	•	•
V FPM	•	•	•	•
W NBR with filter and components surface treatment	•	•	-	•
Z FPM with filter and components surface treatment	•	•	-	•

Bypass	17 With bypass 1.75 bar
	30 With bypass 3.0 bar

Connections	FG114 G 1 1/4"	FN114 1 1/4" NPT	FS020 SAE 20 - 1 5/8" - 12 UN	FE112 1 1/2" SAE 3000 psi/M
	FG112 G 1 1/2"	FN112 1 1/2" NPT	FS024 SAE 24 - 1 7/8" - 12 UN	FF112 1 1/2" SAE 3000 psi/UNC

Additional connections	0 Without additional connection																
	1 Main connection																
	<table border="0"> <tr> <td>FG114</td> <td>G 1 1/4"</td> <td>FS020</td> <td>SAE 20 - 1 5/8" - 12 UN</td> </tr> <tr> <td>FG112</td> <td></td> <td>FS024</td> <td></td> </tr> <tr> <td>FN114</td> <td>1 1/4" NPT</td> <td>FE112</td> <td>1 1/2" SAE 3000 psi/M</td> </tr> <tr> <td>FN112</td> <td></td> <td>FF112</td> <td></td> </tr> </table>	FG114	G 1 1/4"	FS020	SAE 20 - 1 5/8" - 12 UN	FG112		FS024		FN114	1 1/4" NPT	FE112	1 1/2" SAE 3000 psi/M	FN112		FF112	
FG114	G 1 1/4"	FS020	SAE 20 - 1 5/8" - 12 UN														
FG112		FS024															
FN114	1 1/4" NPT	FE112	1 1/2" SAE 3000 psi/M														
FN112		FF112															

Connections for clogging indicators	9T With multiple indicator connections, with metal plugs
--	--

Additional features	NN Without additional features
----------------------------	--------------------------------

Execution	P01 Standard catalogue item
------------------	-----------------------------

Certificates	NN None
---------------------	---------

CLOGGING INDICATORS

See pages 776-777

BVA Axial pressure gauge	BEA Electrical pressure indicator
BVR Radial pressure gauge	BEM Electrical pressure indicator
BVP Visual pressure indicator with automatic reset	BLA Electrical / visual pressure indicator
BVQ Visual pressure indicator with manual reset	

ACCESSORIES

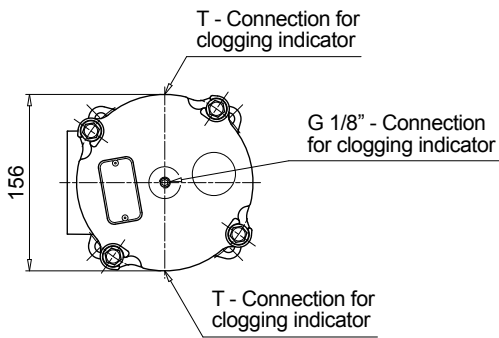
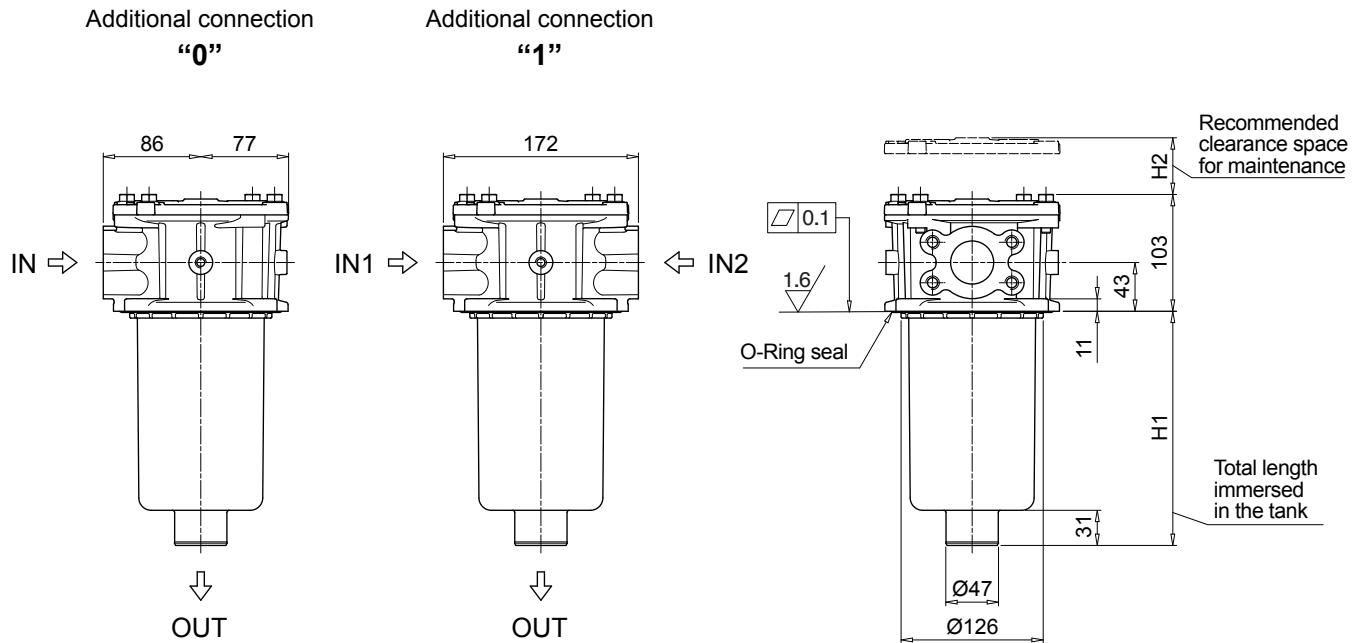
See page 270

TE Polyamide extension tube	DPT Dipstick
T5 Filler plug M30x1.5	

FILTER ELEMENT										
Series		Example 1: MFX 180 10 A0025 D A 30 NN P01 NN								
MFX Filter element with MY CLEAN feature		Example 2: MFX 180 20 P0010 D V 17 NN P01 NN								
Size										
180										
Length										
10										
20										
Filtration rating (filter media)										
MY CLEAN	A0003 Inorganic microfiber 3 µm	zerospark	Z0003 Antistatic in. microf. 3 µm							
	A0006 Inorganic microfiber 6 µm		Z0006 Antistatic in. microf. 6 µm							
	A0010 Inorganic microfiber 10 µm		Z0010 Antistatic in. microf. 10 µm							
	A0016 Inorganic microfiber 16 µm		Z0016 Antistatic in. microf. 16 µm							
	A0025 Inorganic microfiber 25 µm		Z0025 Antistatic in. microf. 25 µm							
	M0025 Wire mesh 25 µm									
	M0060 Wire mesh 60 µm									
	M0090 Wire mesh 90 µm									
	P0010 Resin impregnated paper 10 µm									
	P0025 Resin impregnated paper 25 µm									
Element Δp										
D 10 bar										
Seals and treatments										
A NBR										
V FPM										
Bypass										
17 With bypass 1.75 bar										
30 With bypass 3.0 bar										
Additional features										
NN Without additional features										
Execution										
P01 Standard catalogue item										
Certificates										
NN None										

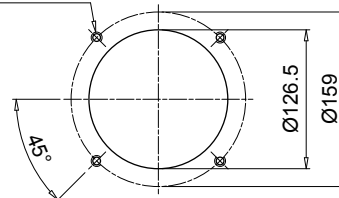
Dimensions

MPFX184				
Filter length	H1 [mm]	H2 [mm]	Connection	T
10	232	260	FG114	G 1/8"
20	445	480	FG112	G 1/8"
			FN114	1/8" NPT
			FN112	
			FS020	
			FS024	G 1/8"
			FE112	
			FF112	1/8" NPT

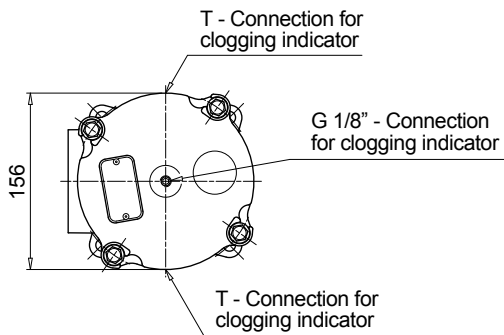
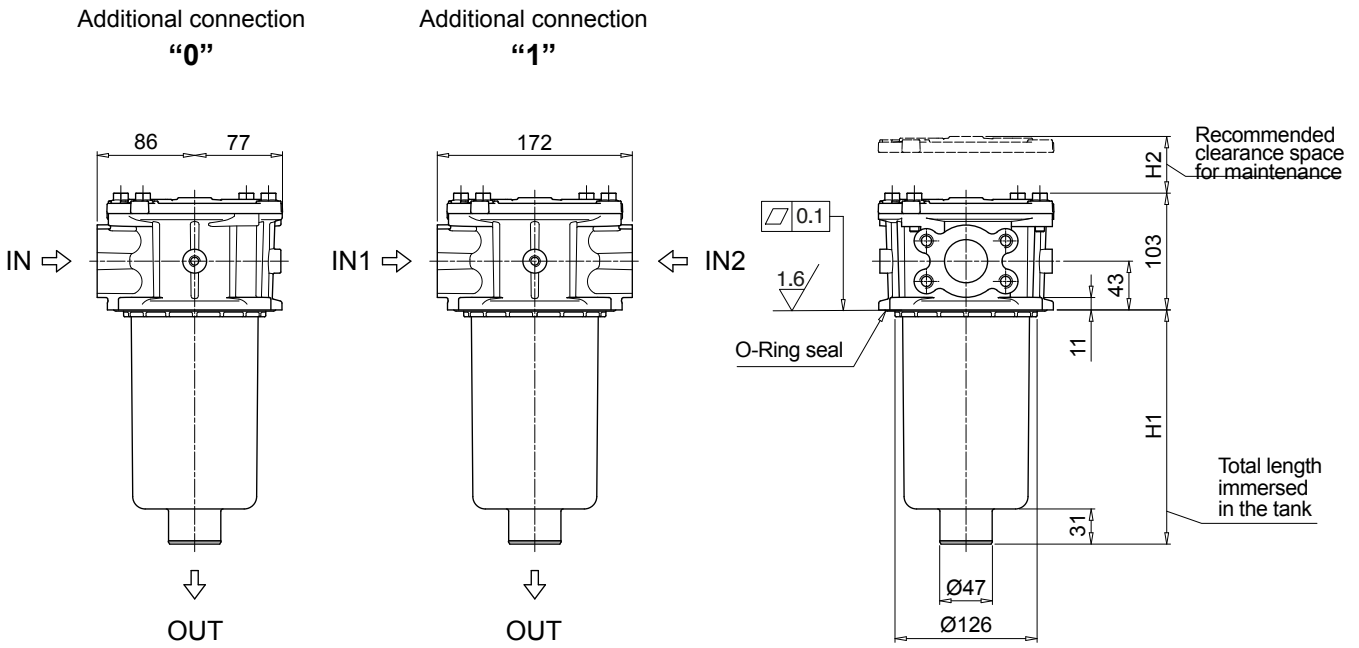


HOLES ON THE TANK

M10 or 3/8" UNC
Nr. 4 blind holes

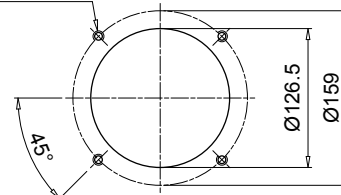


MPFX194	
Connection	T
FG114	G 1/8"
FG112	
FN114	1/8" NPT
FN112	
FS020	
FS024	G 1/8"
FE112	
FF112	1/8" NPT



HOLES ON THE TANK

M10 or 3/8" UNC
Nr. 4 blind holes



Designation & Ordering code


COMPLETE FILTER


Example: **MPFX** **400** **10** **A0025** **D** **A** **30** **FG112** **0** **1T** **NN** **P01** **NN**

Series
MPFX Filter featuring
 Filter Element

Size
400

Length
10
20
30

Filtration rating (filter media)			
	A0003	Inorganic microfiber	3 µm
	A0006	Inorganic microfiber	6 µm
	A0010	Inorganic microfiber	10 µm
	A0016	Inorganic microfiber	16 µm
	A0025	Inorganic microfiber	25 µm
	M0025	Wire mesh	25 µm
	M0060	Wire mesh	60 µm
	M0090	Wire mesh	90 µm
	P0010	Resin impregnated paper	10 µm
	P0025	Resin impregnated paper	25 µm

	Z0003	Antistatic in. microf.	3 µm
	Z0006	Antistatic in. microf.	6 µm
	Z0010	Antistatic in. microf.	10 µm
	Z0016	Antistatic in. microf.	16 µm
	Z0025	Antistatic in. microf.	25 µm

Element Δp

D 10 bar

Seals and treatments	A0xxx	M0xxx	P0xxx	Z0xxx
A NBR	•	•	•	•
V FPM	•	•	•	•
W NBR with filter and components surface treatment	•	•	-	•
Z FPM with filter and components surface treatment	•	•	-	•

Bypass
17 With bypass 1.75 bar
30 With bypass 3.0 bar

Connections			
FG114 G 1 1/4"	FN114 1 1/4" NPT	FS020 SAE 20 - 1 5/8" - 12 UN	
FG112 G 1 1/2"	FN112 1 1/2" NPT	FS024 SAE 24 - 1 7/8" - 12 UN	
FG200 G 2"	FN200 2" NPT	FS032 SAE 32 - 2 1/2" - 12 UN	

Additional connections
0 Without additional connections

Connections for clogging indicators
1T With top indicator connection, with metal plug

Additional features
NN Without additional features

Execution
P01 Standard catalogue item

Certificates
NN None

CLOGGING INDICATORS

See pages 776-777

BVA Axial pressure gauge
BVR Radial pressure gauge
BVP Visual pressure indicator with automatic reset
BVQ Visual pressure indicator with manual reset

BEA Electrical pressure indicator
BEM Electrical pressure indicator
BLA Electrical / visual pressure indicator

ACCESSORIES

See page 270

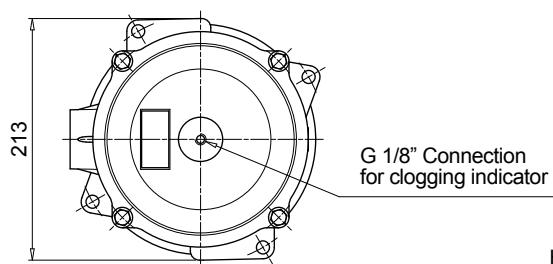
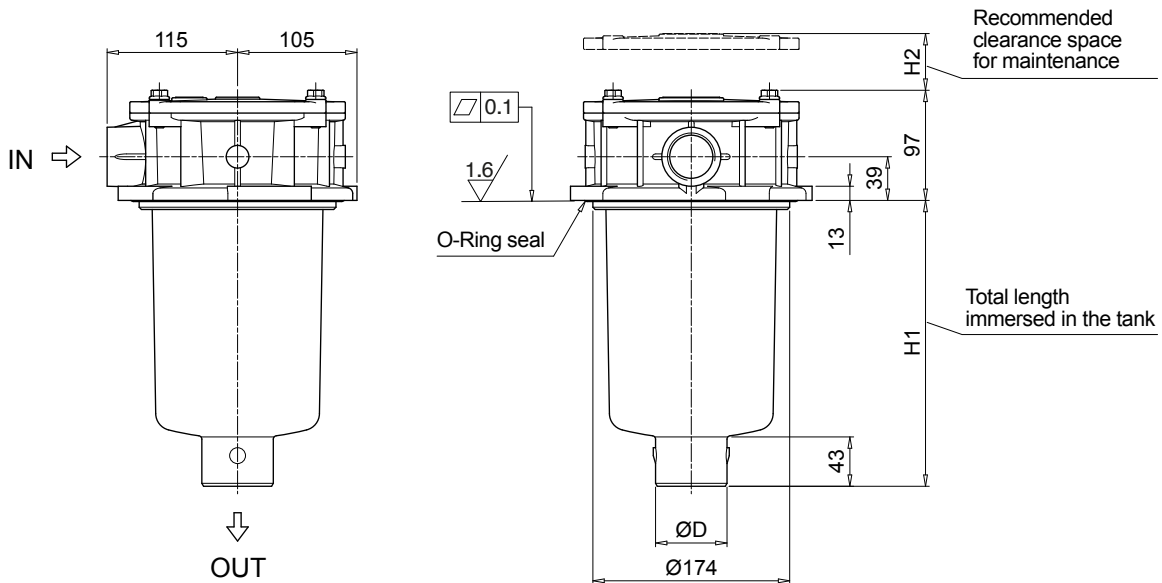
TE Polyamide extension tube
T5 Filler plug M30x1.5

DPT Dipstick

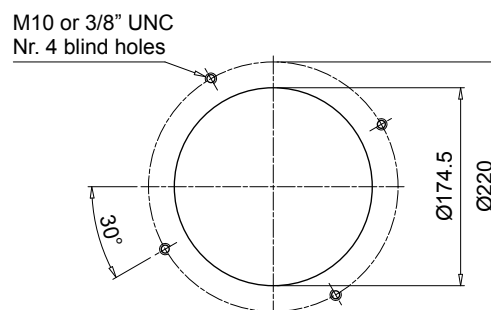
FILTER ELEMENT																																
Series	Example: MFX 400 10 A0025 D A 30 NN P01 NN																															
MFX Filter element with MY CLEAN feature																																
Size	400																															
Length	10																															
20																																
30																																
Filtration rating (filter media)	<table border="1"> <tr> <td rowspan="10">MY CLEAN</td> <td>A0003 Inorganic microfiber 3 µm</td> <td rowspan="10">zerospark</td> <td>Z0003 Antistatic in. microf. 3 µm</td> </tr> <tr> <td>A0006 Inorganic microfiber 6 µm</td> <td>Z0006 Antistatic in. microf. 6 µm</td> </tr> <tr> <td>A0010 Inorganic microfiber 10 µm</td> <td>Z0010 Antistatic in. microf. 10 µm</td> </tr> <tr> <td>A0016 Inorganic microfiber 16 µm</td> <td>Z0016 Antistatic in. microf. 16 µm</td> </tr> <tr> <td>A0025 Inorganic microfiber 25 µm</td> <td>Z0025 Antistatic in. microf. 25 µm</td> </tr> <tr> <td>M0025 Wire mesh 25 µm</td> <td></td> </tr> <tr> <td>M0060 Wire mesh 60 µm</td> <td></td> </tr> <tr> <td>M0090 Wire mesh 90 µm</td> <td></td> </tr> <tr> <td>P0010 Resin impregnated paper 10 µm</td> <td></td> </tr> <tr> <td>P0025 Resin impregnated paper 25 µm</td> <td></td> </tr> </table>										MY CLEAN	A0003 Inorganic microfiber 3 µm	zerospark	Z0003 Antistatic in. microf. 3 µm	A0006 Inorganic microfiber 6 µm	Z0006 Antistatic in. microf. 6 µm	A0010 Inorganic microfiber 10 µm	Z0010 Antistatic in. microf. 10 µm	A0016 Inorganic microfiber 16 µm	Z0016 Antistatic in. microf. 16 µm	A0025 Inorganic microfiber 25 µm	Z0025 Antistatic in. microf. 25 µm	M0025 Wire mesh 25 µm		M0060 Wire mesh 60 µm		M0090 Wire mesh 90 µm		P0010 Resin impregnated paper 10 µm		P0025 Resin impregnated paper 25 µm	
MY CLEAN	A0003 Inorganic microfiber 3 µm	zerospark	Z0003 Antistatic in. microf. 3 µm																													
	A0006 Inorganic microfiber 6 µm		Z0006 Antistatic in. microf. 6 µm																													
	A0010 Inorganic microfiber 10 µm		Z0010 Antistatic in. microf. 10 µm																													
	A0016 Inorganic microfiber 16 µm		Z0016 Antistatic in. microf. 16 µm																													
	A0025 Inorganic microfiber 25 µm		Z0025 Antistatic in. microf. 25 µm																													
	M0025 Wire mesh 25 µm																															
	M0060 Wire mesh 60 µm																															
	M0090 Wire mesh 90 µm																															
	P0010 Resin impregnated paper 10 µm																															
	P0025 Resin impregnated paper 25 µm																															
Element Δp	D 10 bar																															
Seals and treatments	A NBR V FPM																															
Bypass	17 With bypass 1.75 bar 30 With bypass 3.0 bar																															
Additional features	NN Without additional features																															
Execution	P01 Standard catalogue item																															
Certificates	NN None																															

Dimensions

MPFX400			
Filter length	H1 [mm]	H2 [mm]	D [mm]
10	187	210	50
20	252	270	63
30	300	315	63



HOLES ON THE TANK



Designation & Ordering code

COMPLETE FILTER

Example: **MPFX** **410** **10** **A0025** **D** **A** **30** **FN114** **1** **1T** **NN** **P01** **NN**

Series
MPFX Filter featuring  Filter Element

Size
410

Length
10
20
30

Filtration rating (filter media)	
A0003 Inorganic microfiber 3 µm	Z0003 Antistatic in. microf. 3 µm
A0006 Inorganic microfiber 6 µm	Z0006 Antistatic in. microf. 6 µm
A0010 Inorganic microfiber 10 µm	Z0010 Antistatic in. microf. 10 µm
A0016 Inorganic microfiber 16 µm	Z0016 Antistatic in. microf. 16 µm
A0025 Inorganic microfiber 25 µm	Z0025 Antistatic in. microf. 25 µm
M0025 Wire mesh 25 µm	
M0060 Wire mesh 60 µm	
M0090 Wire mesh 90 µm	
P0010 Resin impregnated paper 10 µm	
P0025 Resin impregnated paper 25 µm	

Element Δp
D 10 bar

Seals and treatments	A0xxx	M0xxx	P0xxx	Z0xxx
A NBR	•	•	•	•
V FPM	•	•	•	•
W NBR with filter and components surface treatment	•	•	-	•
Z FPM with filter and components surface treatment	•	•	-	•

Bypass
17 With bypass 1.75 bar
30 With bypass 3.0 bar

Connections
FG114 G 1 1/4" **FN114** 1 1/4" NPT **FS020** SAE 20 - 1 5/8" - 12 UN

Additional connections
1 Front thread
 FG114 **G 1"**
 FN114 **1" NPT**
 FS020 **SAE 16 - 1 5/16" - 12 UN**

Connections for clogging indicators
1T With top indicator connection, with metal plug

Additional features
NN Without additional features

Execution
P01 Standard catalogue item

Certificates
NN None

CLOGGING INDICATORS

See pages 776-777

BVA Axial pressure gauge	BEA Electrical pressure indicator
BVR Radial pressure gauge	BEM Electrical pressure indicator
BVP Visual pressure indicator with automatic reset	BLA Electrical / visual pressure indicator
BVQ Visual pressure indicator with manual reset	

ACCESSORIES

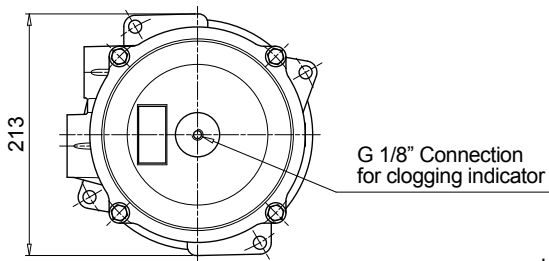
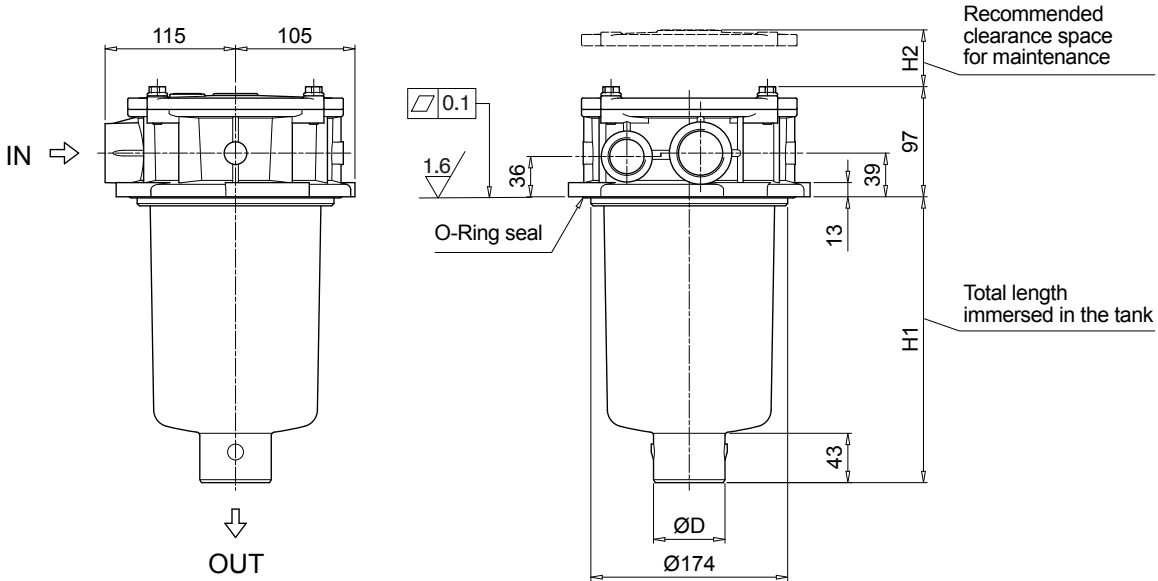
See page 270

TE Polyamide extension tube	DPT Dipstick
T5 Filler plug M30x1.5	

FILTER ELEMENT	
Series MFX Filter element with MY CLEAN feature	Example: MFX 400 10 A0025 D A 30 NN P01 NN
Size 400	
Length 10 20 30	
Filtration rating (filter media)	
MY CLEAN A0003 Inorganic microfiber 3 µm A0006 Inorganic microfiber 6 µm A0010 Inorganic microfiber 10 µm A0016 Inorganic microfiber 16 µm A0025 Inorganic microfiber 25 µm M0025 Wire mesh 25 µm M0060 Wire mesh 60 µm M0090 Wire mesh 90 µm P0010 Resin impregnated paper 10 µm P0025 Resin impregnated paper 25 µm	zero spark Z0003 Antistatic in. microf. 3 µm Z0006 Antistatic in. microf. 6 µm Z0010 Antistatic in. microf. 10 µm Z0016 Antistatic in. microf. 16 µm Z0025 Antistatic in. microf. 25 µm
Element Δp D 10 bar	
Seals and treatments A NBR V FPM	
Bypass 17 With bypass 1.75 bar 30 With bypass 3.0 bar	
Additional features NN Without additional features	
Execution P01 Standard catalogue item	
Certificates NN None	

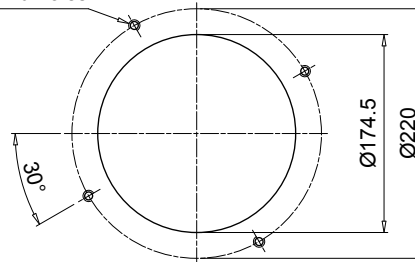
Dimensions

MPFX410			
Filter length	H1 [mm]	H2 [mm]	D [mm]
10	187	210	50
20	252	270	63
30	300	315	63



HOLES ON THE TANK

M10 or 3/8" UNC
Nr. 4 blind holes



Designation & Ordering code

COMPLETE FILTER

Series **MPFX** Example: **MPFX 450 10 A0025 D A 30 FN114 1 9T NN P01 NN**

Filter featuring **MY CLEAN** Filter Element

Size **450**

Length
10
20
30

Filtration rating (filter media)	
A0003 Inorganic microfiber	3 µm
A0006 Inorganic microfiber	6 µm
A0010 Inorganic microfiber	10 µm
A0016 Inorganic microfiber	16 µm
A0025 Inorganic microfiber	25 µm
M0025 Wire mesh	25 µm
M0060 Wire mesh	60 µm
M0090 Wire mesh	90 µm
P0010 Resin impregnated paper	10 µm
P0025 Resin impregnated paper	25 µm

Z0003 Antistatic in. microf.	3 µm
Z0006 Antistatic in. microf.	6 µm
Z0010 Antistatic in. microf.	10 µm
Z0016 Antistatic in. microf.	16 µm
Z0025 Antistatic in. microf.	25 µm

Element Δp

D 10 bar

Seals and treatments	A0xxx	M0xxx	P0xxx	Z0xxx
A NBR	•	•	•	•
V FPM	•	•	•	•
W NBR with filter and components surface treatment	•	•	-	•
Z FPM with filter and components surface treatment	•	•	-	•

Bypass
17 With bypass 1.75 bar
30 With bypass 3.0 bar

Connections	FG200	FN200	FS032	FE200	FF200
G 2"		2" NPT	SAE 32 - 2 1/2" - 12 UN	2" SAE 3000 psi/M	2" SAE 3000 psi/UNC

Additional connections
0 Without additional connection

1 Main connection

FG200	G 3/4"
FE200	
FN200	3/4" NPT
FF200	
FS032	SAE 12 - 1 1/16" - 12 UN

Connections for clogging indicators
9T With multiple indicator connections, with metal plugs

Additional features
NN Without additional features

Execution
P01 Standard catalogue item

Certificates
NN None

CLOGGING INDICATORS

See pages 776-777

BVA Axial pressure gauge
BVR Radial pressure gauge
BVP Visual pressure indicator with automatic reset
BVQ Visual pressure indicator with manual reset

BEA Electrical pressure indicator
BEM Electrical pressure indicator
BLA Electrical / visual pressure indicator

ACCESSORIES

See page 270

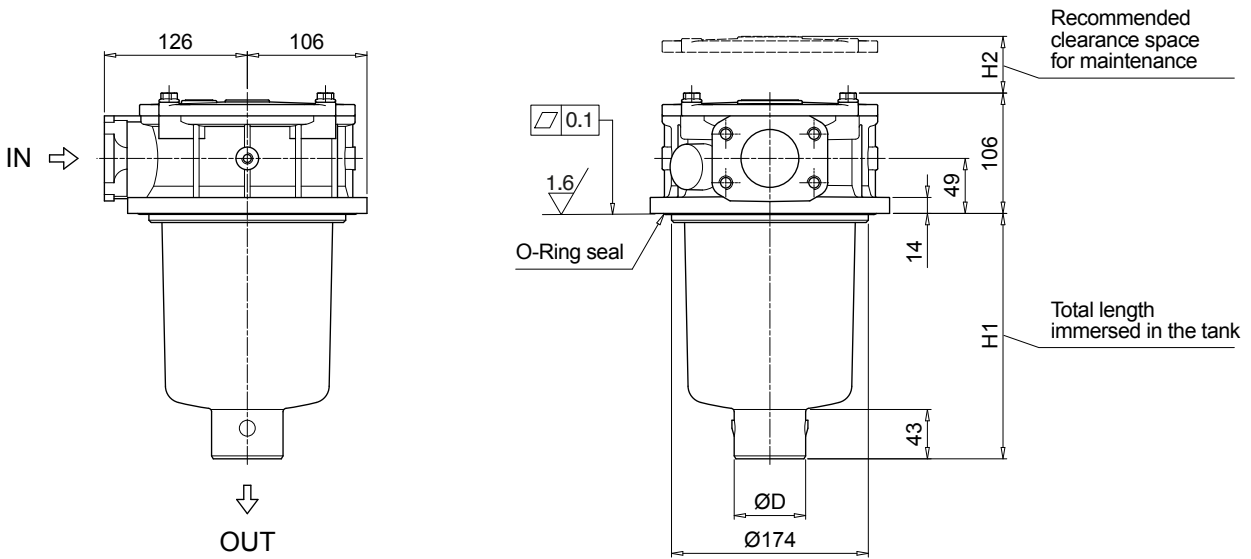
TE Polyamide extension tube
T5 Filler plug M30x1.5

DPT Dipstick

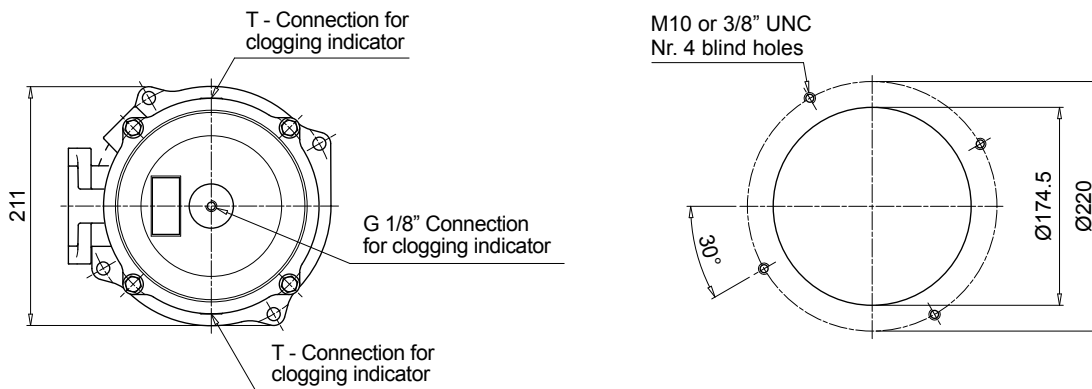
FILTER ELEMENT																																
Series	Example: MFX 400 10 A0025 D A 30 NN P01 NN																															
MFX Filter element with MY CLEAN feature																																
Size	400																															
Length	10 20 30																															
Filtration rating (filter media)	<table border="1"> <tr> <td rowspan="10">MY CLEAN</td> <td>A0003 Inorganic microfiber 3 µm</td> <td rowspan="10">zerospark</td> <td>Z0003 Antistatic in. microf. 3 µm</td> </tr> <tr> <td>A0006 Inorganic microfiber 6 µm</td> <td>Z0006 Antistatic in. microf. 6 µm</td> </tr> <tr> <td>A0010 Inorganic microfiber 10 µm</td> <td>Z0010 Antistatic in. microf. 10 µm</td> </tr> <tr> <td>A0016 Inorganic microfiber 16 µm</td> <td>Z0016 Antistatic in. microf. 16 µm</td> </tr> <tr> <td>A0025 Inorganic microfiber 25 µm</td> <td>Z0025 Antistatic in. microf. 25 µm</td> </tr> <tr> <td>M0025 Wire mesh 25 µm</td> <td></td> </tr> <tr> <td>M0060 Wire mesh 60 µm</td> <td></td> </tr> <tr> <td>M0090 Wire mesh 90 µm</td> <td></td> </tr> <tr> <td>P0010 Resin impregnated paper 10 µm</td> <td></td> </tr> <tr> <td>P0025 Resin impregnated paper 25 µm</td> <td></td> </tr> </table>										MY CLEAN	A0003 Inorganic microfiber 3 µm	zerospark	Z0003 Antistatic in. microf. 3 µm	A0006 Inorganic microfiber 6 µm	Z0006 Antistatic in. microf. 6 µm	A0010 Inorganic microfiber 10 µm	Z0010 Antistatic in. microf. 10 µm	A0016 Inorganic microfiber 16 µm	Z0016 Antistatic in. microf. 16 µm	A0025 Inorganic microfiber 25 µm	Z0025 Antistatic in. microf. 25 µm	M0025 Wire mesh 25 µm		M0060 Wire mesh 60 µm		M0090 Wire mesh 90 µm		P0010 Resin impregnated paper 10 µm		P0025 Resin impregnated paper 25 µm	
MY CLEAN	A0003 Inorganic microfiber 3 µm	zerospark	Z0003 Antistatic in. microf. 3 µm																													
	A0006 Inorganic microfiber 6 µm		Z0006 Antistatic in. microf. 6 µm																													
	A0010 Inorganic microfiber 10 µm		Z0010 Antistatic in. microf. 10 µm																													
	A0016 Inorganic microfiber 16 µm		Z0016 Antistatic in. microf. 16 µm																													
	A0025 Inorganic microfiber 25 µm		Z0025 Antistatic in. microf. 25 µm																													
	M0025 Wire mesh 25 µm																															
	M0060 Wire mesh 60 µm																															
	M0090 Wire mesh 90 µm																															
	P0010 Resin impregnated paper 10 µm																															
	P0025 Resin impregnated paper 25 µm																															
Element Δp	D 10 bar																															
Seals and treatments	A NBR V FPM																															
Bypass	17 With bypass 1.75 bar 30 With bypass 3.0 bar																															
Additional features	NN Without additional features																															
Execution	P01 Standard catalogue item																															
Certificates	NN None																															

Dimensions

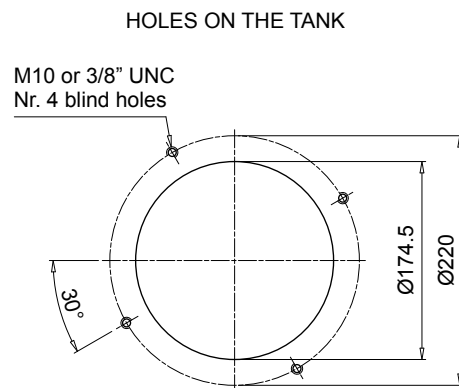
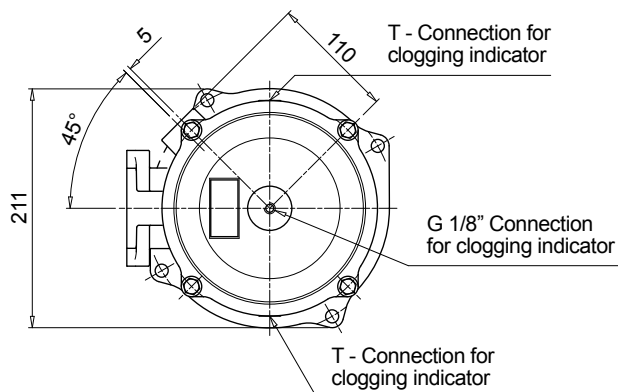
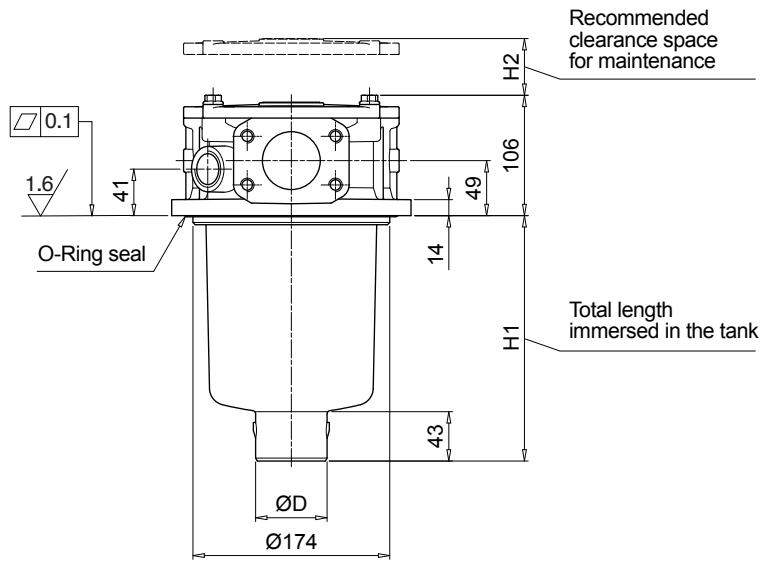
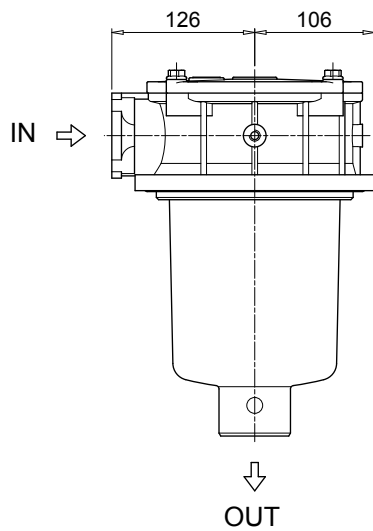
MPFX450					
Additional connection "O"					
Filter length	H1 [mm]	H2 [mm]	D [mm]	Connections	T
10	187	210	50	FG200	G 1/8"
20	252	270	63	FN200	1/8" NPT
30	300	315	63	FS032	1/8" NPT
				FE200	G 1/8"
				FF200	1/8" NPT



HOLES ON THE TANK



MPFX450					
Additional connection "1"					
Filter length	H1 [mm]	H2 [mm]	D [mm]	Connections	T
10	187	210	50	FG200	G 1/8"
20	252	270	63	FN200	1/8" NPT
30	300	315	63	FS032	1/8" NPT
				FE200	G 1/8"
				FF200	1/8" NPT



Designation & Ordering code

COMPLETE FILTER

Example: **MPFX** **750** **10** **A0025** **D** **A** **30** **FG200** **0** **1T** **NN** **P01** **NN**

Series
MPFX Filter featuring  Filter Element

Size
750

Length
10

Filtration rating (filter media)		
A0003	Inorganic microfiber	3 µm
A0006	Inorganic microfiber	6 µm
A0010	Inorganic microfiber	10 µm
A0016	Inorganic microfiber	16 µm
A0025	Inorganic microfiber	25 µm
M0025	Wire mesh	25 µm
M0060	Wire mesh	60 µm
M0090	Wire mesh	90 µm
P0010	Resin impregnated paper	10 µm
P0025	Resin impregnated paper	25 µm

zospark		
Z0003	Antistatic in. microf.	3 µm
Z0006	Antistatic in. microf.	6 µm
Z0010	Antistatic in. microf.	10 µm
Z0016	Antistatic in. microf.	16 µm
Z0025	Antistatic in. microf.	25 µm

Element Δp
D 10 bar

Seals and treatments	A0xxx	M0xxx	P0xxx	Z0xxx
A NBR	•	•	•	•
V FPM	•	•	•	•
W NBR with filter and components surface treatment	•	•	-	•
Z FPM with filter and components surface treatment	•	•	-	•

Bypass
17 With bypass 1.75 bar
30 With bypass 3.0 bar

Connections	
FG200 G 2"	FN200 2" NPT
FS032 SAE 32 - 2 1/2" - 12 UN	FE200 2" SAE 3000 psi/M
FF200 2" SAE 3000 psi/UNC	

Additional connections
0 Without additional connections

Connections for clogging indicators
1T With top indicator connection, with metal plug

Additional features
NN Without additional features

Execution
P01 Standard catalogue item

Certificates
NN None

CLOGGING INDICATORS

See pages 776-777

BVA Axial pressure gauge
BVR Radial pressure gauge
BVP Visual pressure indicator with automatic reset
BVQ Visual pressure indicator with manual reset








BEA Electrical pressure indicator
BEM Electrical pressure indicator
BLA Electrical / visual pressure indicator

ACCESSORIES

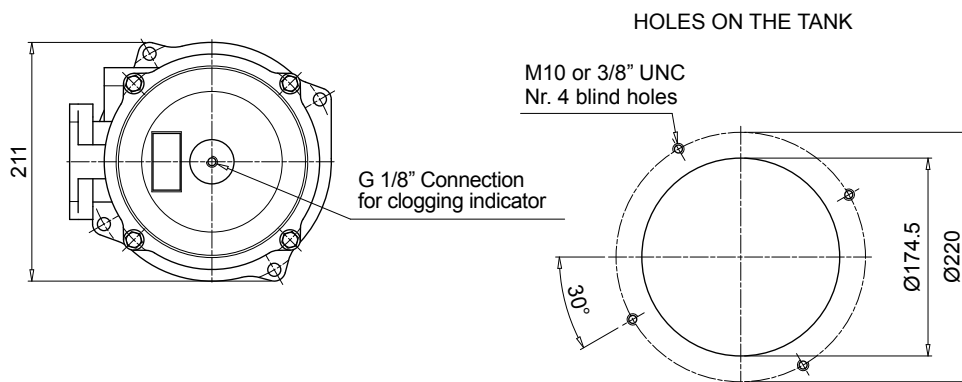
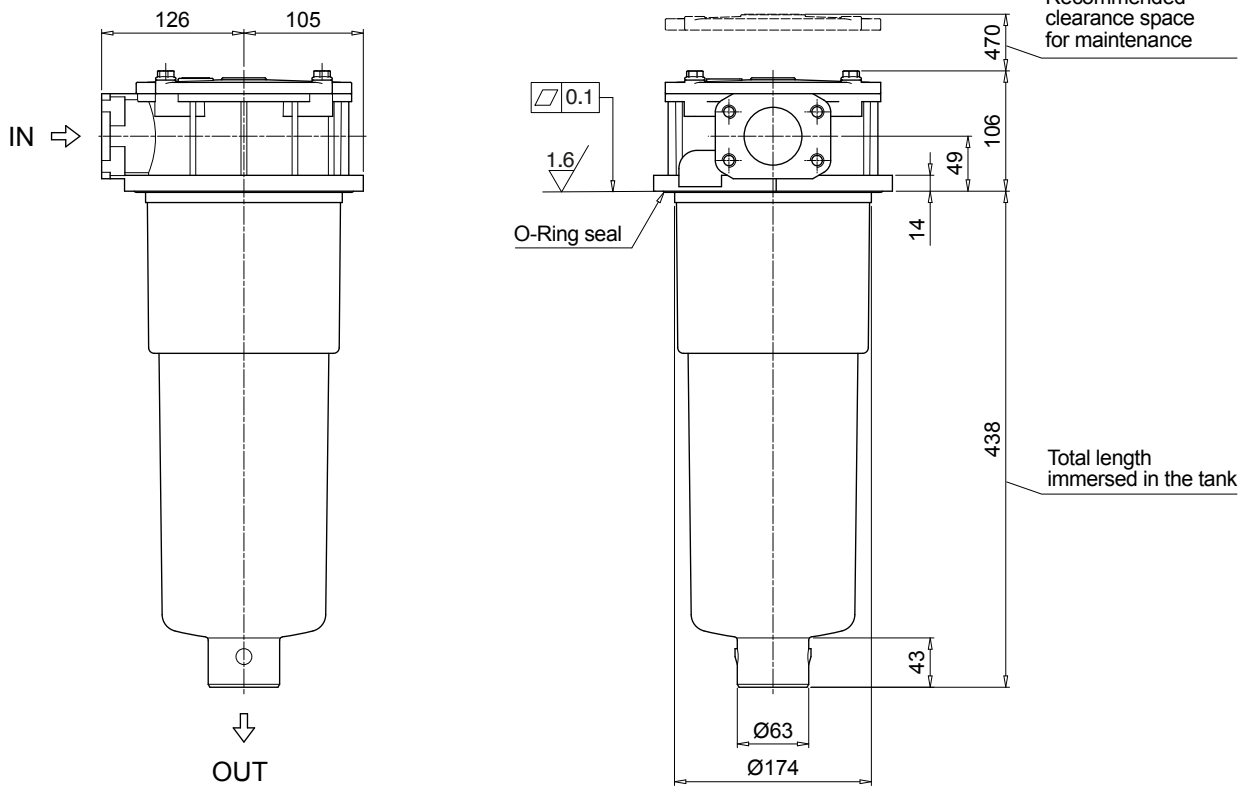
See page 270

TE Polyamide extension tube
T5 Filler plug M30x1.5

DPT Dipstick

FILTER ELEMENT																							
Series MFX Filter element with  feature	Example: MFX 750 10 A0025 D A 30 NN P01 NN																						
Size 750																							
Length 10																							
Filtration rating (filter media)																							
<table border="1"> <tr> <td rowspan="10"></td> <td>A0003 Inorganic microfiber 3 µm</td> <td rowspan="10"></td> <td>Z0003 Antistatic in. microf. 3 µm</td> </tr> <tr> <td>A0006 Inorganic microfiber 6 µm</td> <td>Z0006 Antistatic in. microf. 6 µm</td> </tr> <tr> <td>A0010 Inorganic microfiber 10 µm</td> <td>Z0010 Antistatic in. microf. 10 µm</td> </tr> <tr> <td>A0016 Inorganic microfiber 16 µm</td> <td>Z0016 Antistatic in. microf. 16 µm</td> </tr> <tr> <td>A0025 Inorganic microfiber 25 µm</td> <td>Z0025 Antistatic in. microf. 25 µm</td> </tr> <tr> <td>M0025 Wire mesh 25 µm</td> <td></td> </tr> <tr> <td>M0060 Wire mesh 60 µm</td> <td></td> </tr> <tr> <td>M0090 Wire mesh 90 µm</td> <td></td> </tr> <tr> <td>P0010 Resin impregnated paper 10 µm</td> <td></td> </tr> <tr> <td>P0025 Resin impregnated paper 25 µm</td> <td></td> </tr> </table>		A0003 Inorganic microfiber 3 µm		Z0003 Antistatic in. microf. 3 µm	A0006 Inorganic microfiber 6 µm	Z0006 Antistatic in. microf. 6 µm	A0010 Inorganic microfiber 10 µm	Z0010 Antistatic in. microf. 10 µm	A0016 Inorganic microfiber 16 µm	Z0016 Antistatic in. microf. 16 µm	A0025 Inorganic microfiber 25 µm	Z0025 Antistatic in. microf. 25 µm	M0025 Wire mesh 25 µm		M0060 Wire mesh 60 µm		M0090 Wire mesh 90 µm		P0010 Resin impregnated paper 10 µm		P0025 Resin impregnated paper 25 µm		
		A0003 Inorganic microfiber 3 µm			Z0003 Antistatic in. microf. 3 µm																		
		A0006 Inorganic microfiber 6 µm			Z0006 Antistatic in. microf. 6 µm																		
		A0010 Inorganic microfiber 10 µm			Z0010 Antistatic in. microf. 10 µm																		
		A0016 Inorganic microfiber 16 µm			Z0016 Antistatic in. microf. 16 µm																		
		A0025 Inorganic microfiber 25 µm			Z0025 Antistatic in. microf. 25 µm																		
		M0025 Wire mesh 25 µm																					
		M0060 Wire mesh 60 µm																					
		M0090 Wire mesh 90 µm																					
		P0010 Resin impregnated paper 10 µm																					
	P0025 Resin impregnated paper 25 µm																						
Element Δp D 10 bar																							
Seals and treatments A NBR V FPM																							
Bypass 17 With bypass 1.75 bar 30 With bypass 3.0 bar																							
Additional features NN Without additional features																							
Execution P01 Standard catalogue item																							
Certificates NN None																							

MPFX750

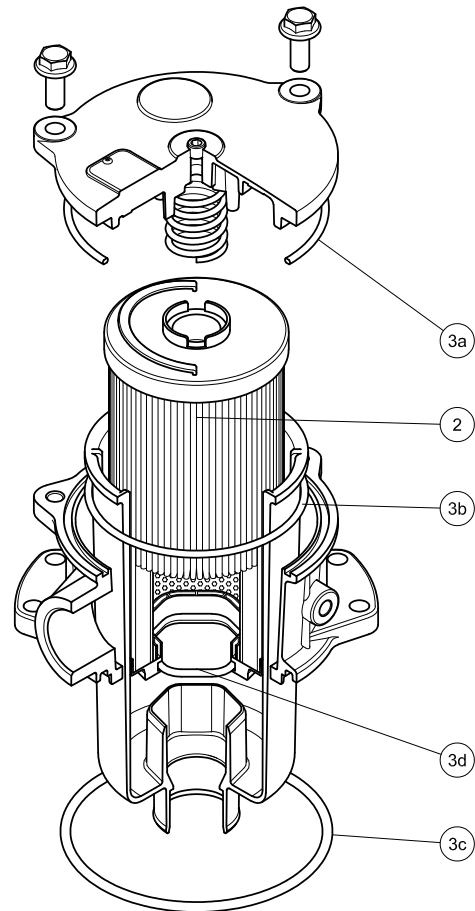
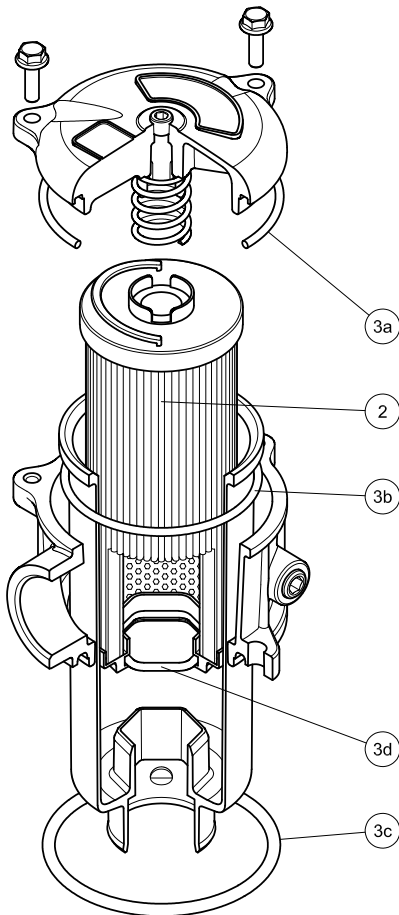


MPFX SPARE PARTS

Order number for spare parts

MPFX 100

MPFX 181

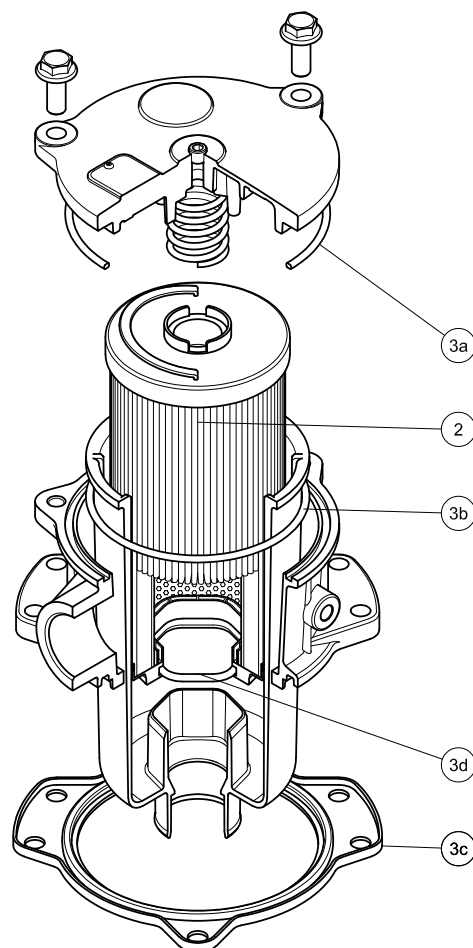
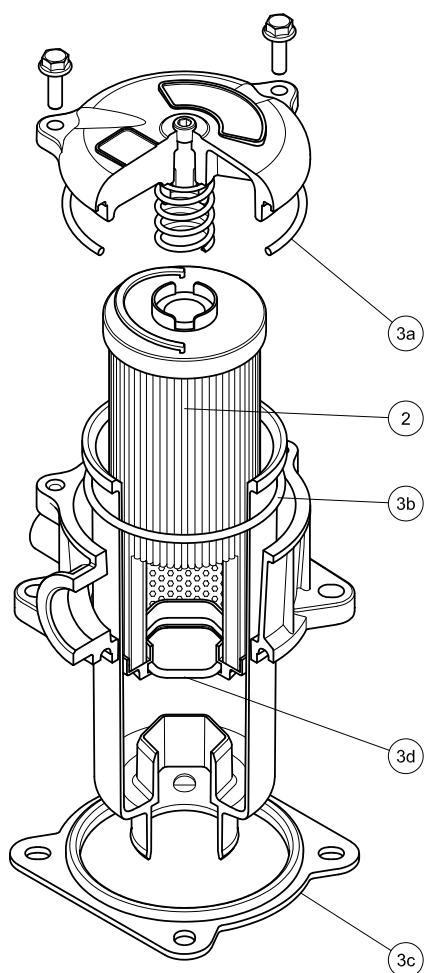


O-RING SEAL

Item:	Q.ty: 1 pc.		
	2	3 (3a ÷ 3d)	
Filter series	Filter element	Seal Kit code number	
		NBR	FPM
MPFX 030	See order table	02050675	02050676
MPFX 100-110		02050677	02050678
MPFX 181-182		02050681	02050682
MPFX 184		02050685	02050686
MPFX 191-192		02050683	02050684
MPFX 194		02050687	02050688
MPFX 400-410		02050695	02050696
MPFX 450		02050697	02050698
MPFX 750		02050699	02050700

MPFX 104

MPFX 181



FLAT SEAL

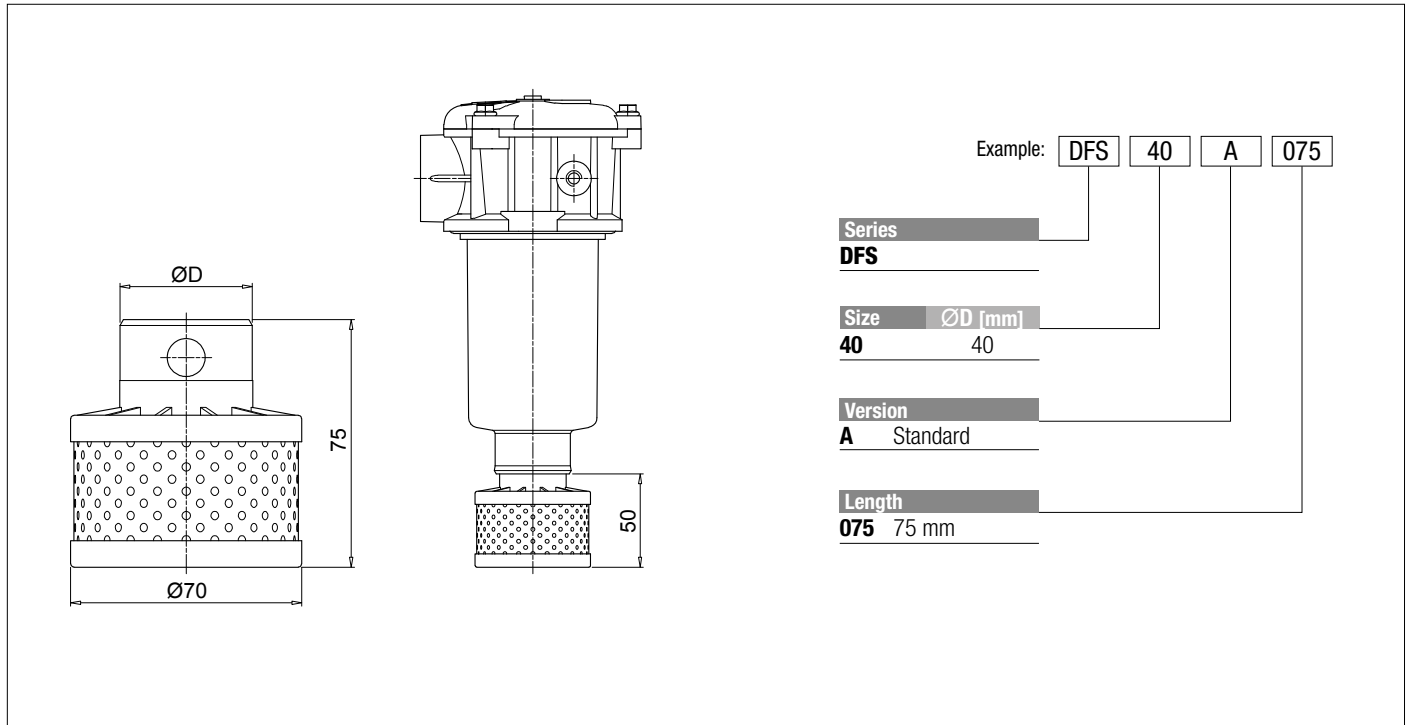
Q.ty: 1 pc.

Q.ty: 1 pc.

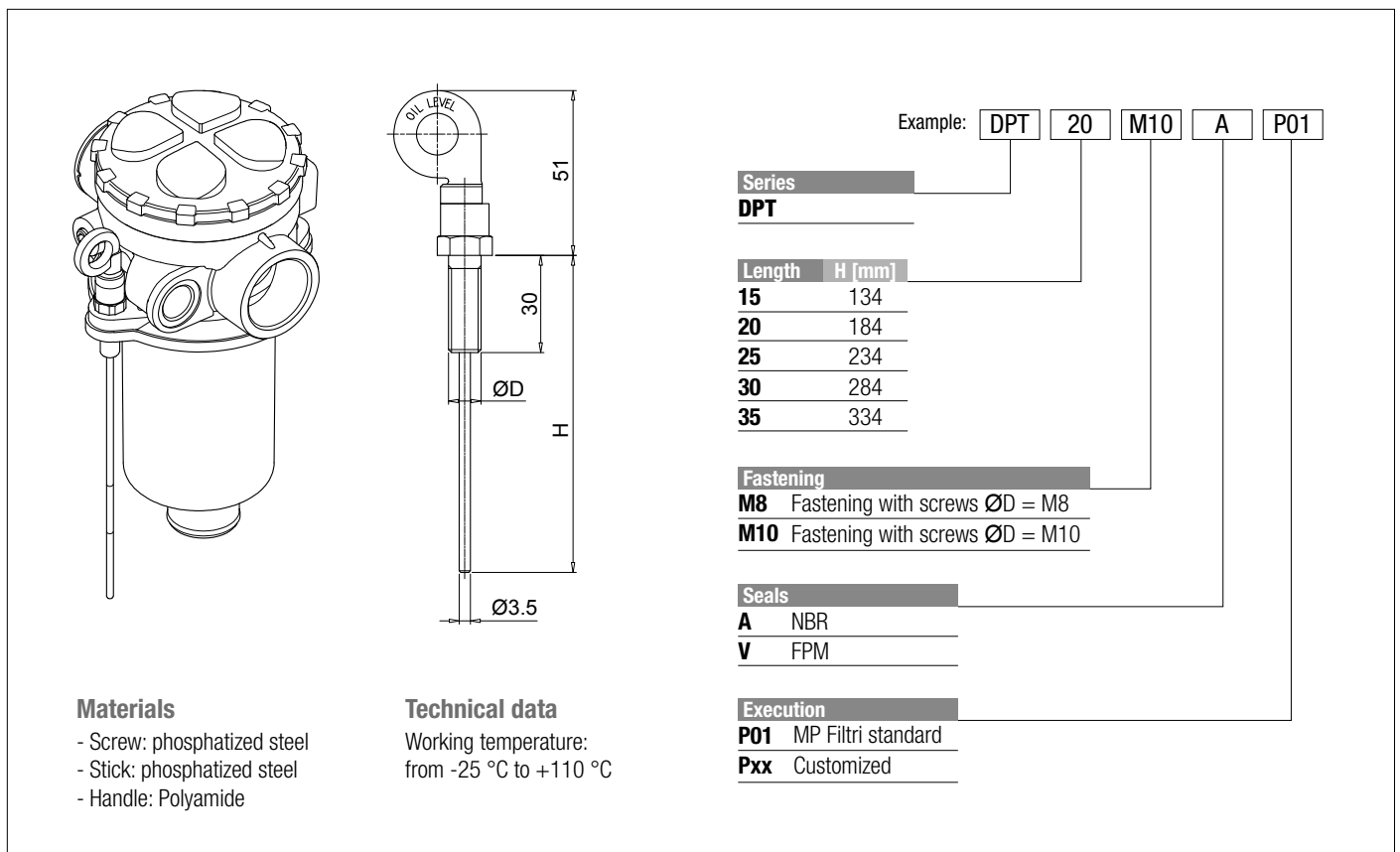
Item:	2	3 (3a ÷ 3d)	
Filter series	Filter element	Seal Kit code number	
		NBR	FPM
MPFX 104	See order table	02050679	02050680
MPFX 181-182		02050691	02050692
MPFX 191-192		02050691	02050692

Accessories

DIFFUSER WITH FAST LOCK CONNECTION



DIPSTICK



Materials

- Screw: phosphatized steel
- Stick: phosphatized steel
- Handle: Polyamide

Technical data

Working temperature:
from -25 °C to +110 °C

FILLER PLUG

Series

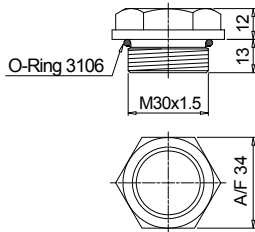
T5

Materials

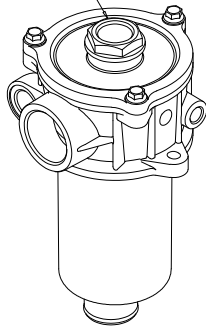
- Body: Polyamide
- Seal: NBR

Technical data

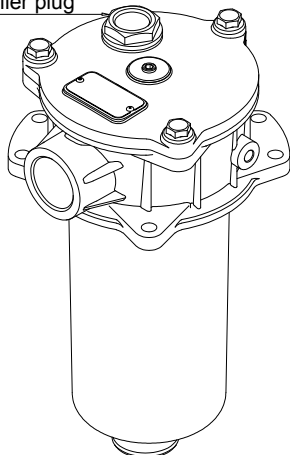
Tightening torque:
15 N·m



Filler plug



Filler plug



POLYAMIDE EXTENSION TUBE

Example: **TE** **40** **A** **250**

Series

TE

Size ØD [mm]

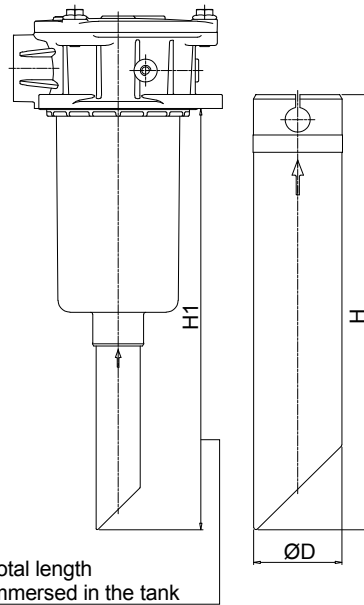
25	25
40	40
51	51
62	62

Material

A Polyamide

Length **H [mm]** **25-40** **51-62**

200	200	•	•
250	250	•	-
300	300	•	•
350	350	•	-
400	400	•	•
450	450	•	-
500	500	•	•
600	600	-	•



COMPATIBILITY TABLE

Filter series	Filter size	Filter length					Tube length H1 [mm]								
			TE25	TE40	TE51	TE62	200	250	300	350	400	450	500	600	
MPFX	030	10	•	-	-	-	266	316	366	416	466	516	566	-	
		10					277	327	377	427	477	527	577	-	
		20					322	372	422	472	522	572	622	-	
		30					400	450	500	550	600	650	700	-	
	100 - 104 - 110	40					502	552	602	652	702	752	802	-	
		181 - 182 - 184	10	-	•	-	-	410	460	510	560	610	660	710	-
			20					623	673	723	773	823	873	923	-
		191 - 192 - 194	20	-	-	•	-	620	-	720	-	820	-	920	1020
			10					352	-	452	-	552	-	652	752
		400 - 410 - 450	20	-	-		•	411	-	511	-	611	-	711	811
30						459	-	559	-	659	-	759	859		
10	-		-	-	•	597	-	697	-	797	-	897	997		
MPTX	025 - 027	10					278	328	378	428	478	528	578	-	
		20	•	-	-	-	342	392	442	492	542	592	642	-	
		30					380	430	480	530	580	630	680	-	
		10					273	323	373	423	473	523	573	-	
	110 - 114 - 116 - 120	20	-	•	-	-	318	368	418	468	518	568	618	-	
		30					396	446	496	546	596	646	696	-	
		40					498	548	598	648	698	748	798	-	
		10					284	334	384	434	484	534	584	-	
MFBX	100	20	-	•	-	-	329	379	429	479	529	579	629	-	
		30					407	457	507	557	607	657	707	-	
		40					509	559	609	659	709	759	809	-	
		10					284	334	384	434	484	534	584	-	

For any further information, please, contact our commercial dept.