

Operators Guide

BS110 - BS500

Bottle Samplers



PRODUCT OVERVIEW

BS110 - 110 ml Bottle Sampler & BS500 - 500 ml Bottle Sampler

The 110 ml and 500 ml bottle samplers are suitable for off-line and laboratory applications where fluid sampling at point of use is inaccessible or impractical. A fluid de-aeration facility comes as standard.

Features & Benefits

- Vacuum feature for de-aeration of fluids
- Compatible with all portable MP Filtri Contamination Monitoring Products
- Strong Laboratory aesthetic
- Transparent outer for visual indication
- Full accessories kit included
- Includes carry case (BS110 only)
- Contact MP Filtri for use with fluids other than those stated



Product Presentation

The Bottle Sampler is an off-line unit designed to be used with the LPA2, LPA3 and CML2 for accurate contamination monitoring and suitable for laboratory applications.

The product is compatible with various hydraulic fluid types depending on the version being used (please refer to section 5 for further details). The product is also compatible with a wide range of fluid viscosities.

High Viscosity fluids

The high-pressure version of the BS500 is suitable for fluids with a viscosity grade of ISOVG 68 (68 cSt @40C).

This feature is used to decrease the de-aeration and flush times of such fluids.

Benefits

- Easy to use
- De-aeration Facility
- Large sample volume sampling up to 500 ml bottles

PRODUCT OVERVIEW

Scope of Supply BS110

- 1 x 110 ml Bottle Sampling unit
- 1 x Pressure cap
- 1 x Vacuum cap
- 1 x M16x2 microbore pressure hose, 600 mm long
- 1 x 1 L waste receptacle
- 1 x 12V, 2A power adapter c/w UK/EU/US/AUS/CN heads
- 1 x pack of disposable dip tubes
- 1 x hand pump
- 3 x plastic bottles
- 3 m hand pump hose
- Fluid condition handbook
- Support case
- Digital copy of user guide/software/drivers

Scope of Supply BS500

- 1 x 500 ml Bottle Sampling base unit (*)
- 1 x Top cap, pressure/vacuum chamber (*)
- 1 x M16x2 microbore pressure hose, 600 mm long
- 1 x Power adapter
- 1 x UK/EU/US/AUS/CN power lead*
- 3 x 210 ml clear glass bottles
- 2 x 500 ml clear glass bottles
- 1 x Digital copy of user guides/software/drivers

(*) Specific model will be as per ordered item

IMPORTANT:

Do not use the contamination monitoring product power supply with the 500 ml bottle sampling unit, as it has an inadequate power rating.



DECLARATION OF CONFORMITY

EC Declaration of Conformity

The products included in this Declaration are all variants of the following:

- Standard (2.5 bar) or High Pressure (4.5 bar)
- Compatible with mineral oil/ synthetic fluids, offshore fluids, phosphate esters (inc. aerospace versions)
- Glass or Acrylic Chamber
- All power supply options

For part codes see the Designation & Ordering Code (section 4.7 on pages 18-19)

Product Manufacturer:

MP Filtri UK
Bourton Industrial Estate
Bourton on the Water
Cheltenham
Gloucestershire
GL54 2HQ
01451 822522
sales@mpfiltri.co.uk

The products described are in conformity with the following directives:

2014/30/EU Electromagnetic Conformity

Certification Testing that has been carried out is in accordance with:

- DEF STAN 00-35 Part 3 issue 4 Environmental Test Methods
- BS EN 60068 range of standards covering environmental conditions
- BS EN 60529: 1992 + A2:2013 Degrees of Protection provided by enclosures (IP Code)
- BS EN 62262:2002 Degrees of Protection Provided for Electrical Equipment against External Mechanical Impacts (IK Code)
- BS EN 60721-3-4: 1995 Part 3: Classification of Groups of Environmental Parameters and their severities, Section 3.4

Date: 13 July 2018

Signed

Phil Keep (Managing Director) on behalf of MP Filtri UK Ltd





TABLE OF CONTENTS

	Page
Product overview	1
EC Declaration of Conformity	5
Table of Contents	6
What this guide is for	8
1 General warnings and information for the Operator	10
1.1 General safety warnings	10
1.2 Operator position and dangerous areas	12
1.3 Dangers and Hazards that cannot be eliminated	12
1.4 Personal Protective Equipment	12
2 Transportation and Storage	13
2.1 Transportation and Handling Conditions	13
2.2 Storage	13
3 Warranty, Limitations and Disclaimers	14
4 Technical Specification	16
4.1 Performance	16
4.2 Electrical Interface	16
4.3 Physical Attributes	16
4.4 Fluid Characteristics	16
4.5 Environment	16
4.6 Connection to use with Particle Analyser	17
4.7 Dimensions and ordering code	18
5 Product Installation and General Operation	21
5.1 Preliminary Operations	21
5.1.1 Internal Cleaning	21
5.1.2 Pressurization and Opening	21
5.1.3 Bottle Cleanliness and Verification	21
5.1.4 Fluid Sampling/ Hand Pump	22
5.2 General Operation	22
5.2.1 Physical Checks	22
5.2.2 Flushing and Flushing Fluids	22
5.2.3 De-aeration	25
5.2.4 Operating with Contamination Monitoring Product	26
5.3 Disposal	27
6 Related Products	28
7 Troubleshooting / FAQ	31
7.1 Misuse of Product	31
7.2 Fault Finding	31

What this guide is for

This guide will take you through the installation and instructions for making the most out of your Bottle sampling units. It contains detailed information to enable you to master the full functionality of the device, as well as key information on safety, warranty, maintenance and accessories.

At MP Filtri we are committed to customer service and hope this manual will help you to fully master the Bottle sampling units.

Disclaimer

As a policy of continual improvement, MP Filtri reserves the right to alter the specification without prior notice.



OPERATOR'S GUIDE

1 General warnings and information for the Operator

1.1 General Safety Warnings

The mobile filtration units of the UFM series have been designed and manufactured in compliance with the machinery directive and the low voltage directive with regards to electric motors. The EC Declaration of Conformity is included in this manual. The warranty has a duration of twelve months starting from the date shown on the delivery note. To consulte “General Warranty Conditions” section of this Use and Maintenance Manual.

Read this manual carefully before commissioning, maintenance or other activities on or with the unit. Each operator involved in the operation of the mobile filtration unit must wear the following personal protective equipment:



Safety glasses



Safety shoes



Gloves

Before carrying out any installation or work on and/or with the machine it is necessary to strictly follow the instructions listed in this manual. It is also necessary to comply with the provisions in force concerning accident prevention and safety in the workplace. The warnings to prevent dangers to the health of the personnel assigned to the machine, are highlighted in this documentation with signal words to notifications:

If important information concerning the product affects the use of the product or a part of this documentation, all of it must be particularly taken into account.



NOTE

This means that failure to comply with the relevant safety regulations may result in slight injury or damage to equipment.



CAUTION

This means that failure to comply with the relevant safety regulations can result in death, serious injury or considerable damage to equipment.



DANGER

GENERAL WARNINGS

To allow rapid identification of the employees who must read this manual, definitions have been used with the following meaning:

OPERATOR	The person in charge of using the machine for productive purposes. The operator is aware of the measures taken by the machine manufacturer to eliminate the sources of risk of accidents at work and complies with the operational constraints.
PERSONNEL INVOLVED IN SLINGING AND HOISTING OPERATIONS	The person in charge of handling the machine or parts thereof. The slinger is aware of the problems concerning the transport of machines or parts thereof in safe conditions; for this purpose, they use lifting equipment suitable for the purpose following the instructions provided by the machine manufacturer.
MACHINE SETTER	The person in charge of preparing the machine for normal operation. The machine setter is aware of the measures taken by the machine manufacturer to eliminate the sources of risk of accidents at work and complies with the operational constraints. The machine setter takes the necessary precautions to intervene in conditions of maximum safety.
MAINTENANCE TECHNICIAN	The person in charge of performing maintenance operations on the machine. The maintenance technician is aware of the possible dangerous situations that may arise during his work and takes the necessary precautions to avoid risks of accidents at work.
ELECTRICIAN	The person in charge of carrying out maintenance operations on the machine's electrical system. The electrician is aware of the possible dangerous situations that may arise during his work and takes appropriate precautions to avoid risks of accidents at work.

1.2 Operator Position and Dangerous Areas

The bottle sampling units create an internal pressure of either 2.5 or 4.5 bar, as such precautions should be taken and operators should be aware of the surroundings when using this equipment.

The unit shall be taken out of service and/or dismantled in accordance with the current regulations in force in the country where the machinery is installed



NOTE

The machinery is not suitable for outdoor use and all the electrical devices have a protection class starting from IP 55 upwards.



CAUTION

1.3 Dangers and Hazards that cannot be eliminated

- Electric shock risk on the electric motor; in case of motor malfunction
- Burn risk because of high temperatures
- Accidental oil leaks with consequent risk of slipping
- Hose breakage and resulting lubricant loss
- With oil temperatures exceeding 40/45 °C, it is vital to be extremely careful when connecting to the portable particle counters and when moving the unit.

ALL EQUIPMENT SHOULD BE ALLOWED TO COOL PRIOR TO HANDLING, AFTER IT HAS BEEN IN USE

1.4 Personal Protective Equipment

When operating the unit, personnel must be wearing safety shoes, gloves and goggles. In general, the PPEs to be used according to the activities on the machinery are listed in the following table:

ACTIVITY	PPE
Ordinary operation	Shoes, gloves, goggles, overall
Planned maintenance	Shoes, gloves, goggles, overall



TRANSPORT / STORAGE

2 Transportation and Storage

2.1 Transportation and handling Conditions

The unit is shipped in a cardboard box, encased in polyurethane foam.

The packed weight of the BS110 unit and accessories is 10 kg.

The packed weight of the BS500 unit and accessories is 13 kg.

The packaging dimensions are 60 x 50 x 40 cm

2.2 Storage

The unit should be stored in a suitable location away from the production area when not in use. The unit should be stored with the caps provided on the ports. This location should not impede any other production or personnel.

3 Warranty, Limitations and Disclaimers

MP Filtri warrants that the products that it manufactures and sells will be free from defects in material, workmanship & performance for a period of 12 months from the date of shipment.

Hardware/Firmware

Should the hardware prove defective during the warranty period, MP Filtri, at its discretion, will either repair the defective product or replace it with an equivalent product in exchange for the defective unit without charge for parts, labour, carriage and insurance.

Software

MP Filtri warrants that software will operate substantially in accordance with its functional specification for 12 months from date of shipment provided that the integrity of the operating environment has not been compromised through misuse, inappropriate handling, abnormal operating conditions, neglect or damage (unintentional or otherwise) or the introduction of third party product (software or hardware) that in any way conflicts with the MP Filtri product.

Eligibility

This warranty extends to the original purchaser only or to the end-user client of a MP Filtri authorised affiliate.

How to obtain service?

To obtain service under the terms of this warranty, the customer is required to notify MP Filtri before the expiration of the warranty period and to return the item in accordance with MP Filtri product return policy. Any product returned for warranty repair must be accompanied by a full fault report specifying the symptoms and the conditions under which the fault occurs. Should MP Filtri incur additional cost as a result of a failure to complete the appropriate paperwork, an administrative charge may be levied.

Exclusions

This warranty shall not apply to any defect, failure or damage caused by improper use or improper or inadequate care. MP Filtri shall not be obligated to provide service under this warranty if:

- a) Damage has been caused by a failure to make a full and proper inspection of the product (as described by the documentation enclosed with the product at the time of shipment) on initial receipt of the product following shipment;
- b) Damage has been caused by the attempts of individuals, other than MP Filtri staff to repair or service the product;
- c) Damage has been caused by the improper use or a connection with incompatible equipment or product including software applications.

WARRANTY

Charges

Under cover of this warranty, MP Filtri will pay the carriage and insurance charges for the shipment of defective product back to site of manufacture and for its return to the client's original site of despatch except when:

a) MP Filtri product return policy has not been followed.

b) Product failure is caused by any of the exclusions described above, when the customer will be liable for the full cost of the repair (parts and labour) plus all carriage and insurance costs to and from MP Filtri premises.

c) The product is damaged in transit and a contributory cause is inadequate packaging. It is the customer's responsibility to ensure that the packaging used to return equipment to MP Filtri is the same, or has equivalent protective qualities, to that used to ship the product to the customer in the first instance. Any damage resulting from the use of inadequate packaging will nullify MP Filtri obligations under this warranty. Should the customer's product be damaged in transit following a repair at MP Filtri site, a full photographic record of the damage must be obtained (packaging and the product) to support any claim for recompense. Failure to present this evidence may limit MP Filtri obligations under this warranty.

THIS WARRANTY IS GIVEN BY MP FILTRI IN LIEU OF ANY OTHER WARRANTIES, EXPRESS OR IMPLIED, INCLUDING BUT NOT LIMITED TO ANY IMPLIED WARRANTY OF MERCHANTABILITY, NON INFRINGEMENT OR FITNESS FOR A PARTICULAR PURPOSE. MP FILTRI LTD SHALL NOT BE LIABLE FOR ANY SPECIAL, INDIRECT, INCIDENTAL OR CONSEQUENTIAL DAMAGES OR LOSSES (INCLUDING LOSS OF DATA), WE SPECIFICALLY DISCLAIM ANY AND ALL WARRANTIES TO CUSTOMERS OF THE CUSTOMER. THE CUSTOMER'S SOLE REMEDY FOR ANY BREACH OF WARRANTY IS THE REPAIR OR REPLACEMENT, AT MP FILTRI DISCRETION, OF THE FAILED PRODUCT.

MP Filtri Ltd maintains a policy of product improvement and reserves the right to modify the specifications without prior notice.

4. Technical specification

4.1 Performance

Indicator	Visiwink pressure indicator (only for BS500 version)
Pressure Output	Standard Version 2.5 bar High Pressure Version 4.5 bar (only for BS500 version)
Vacuum Output (gauge)	18 inHg

4.2 Electrical Interface

Supply Voltage	12V DC	
Supply Current	BS110 BS500	2.5 bar version: 2.0A maximum current 2.5 bar version: 5.0A maximum current 4.5 bar version: 8.5A maximum current

4.3 Physical Attributes

Dimensions	BS110 BS500	212 mm (H) x 130 mm (W) x 163 mm (D) 340 mm (H) x 264 mm (W) x 350 mm (D)
Weight	BS110 BS500	1.8 kg - for packed weight see section 2.1 7 kg - for packed weight see section 2.1
Connections	M16x2 hydraulic connection	
Hoses	600 mm M16x2 hydraulic pressure hose	
Seal Material	M/N Version Viton® (contact MP Filtri for any fluids that are incompatible with Viton® seals) S Version - Perfluoroelastomer (only for BS500 version) E Version - EPDM (only for BS500 version)	

4.4 Fluid Characteristics

Fluid compatibility	V version - mineral oils, synthetic fluids and diesels E version – Aerospace phosphate esters, Skydrols® S version – Aerospace phosphate esters, Skydrols® and V version fluids.
Viscosity	400 cSt
Working temperature	0 °C to +40 °C

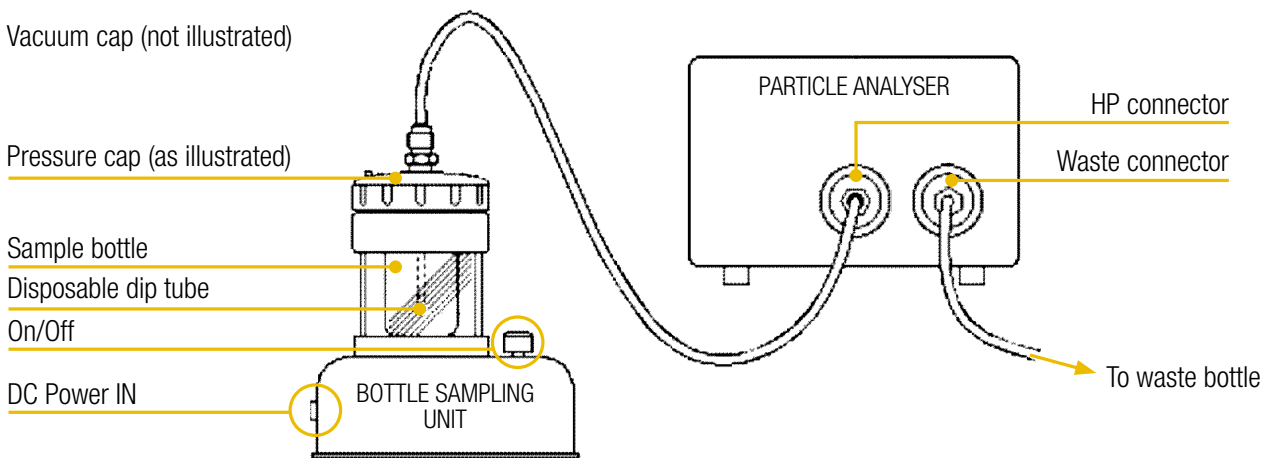
4.5 Environment

Ambient working temperature	-10 °C to 80 °C
-----------------------------	-----------------

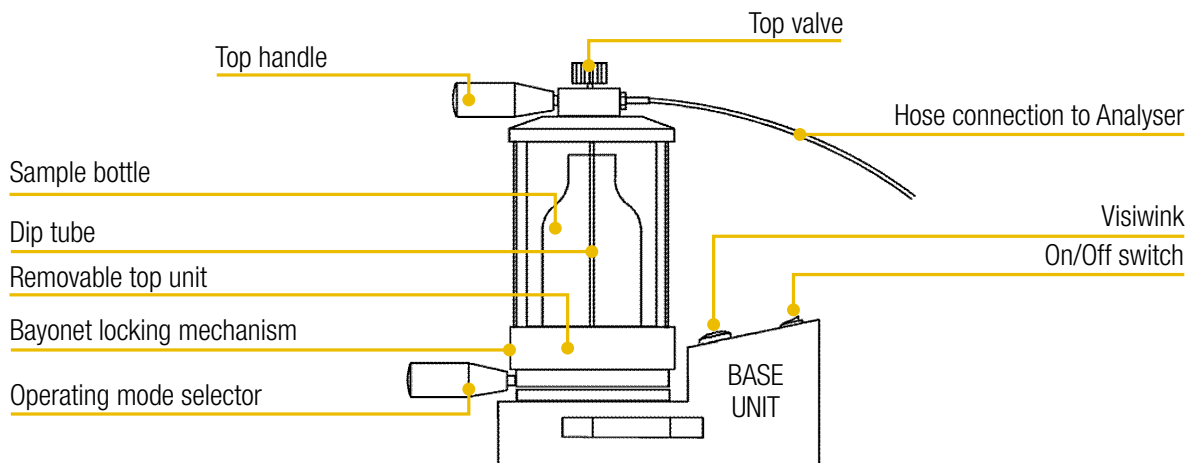
TECHNICAL SPECIFICATION

4.6 Connection to use with Particle Analyser

BS110

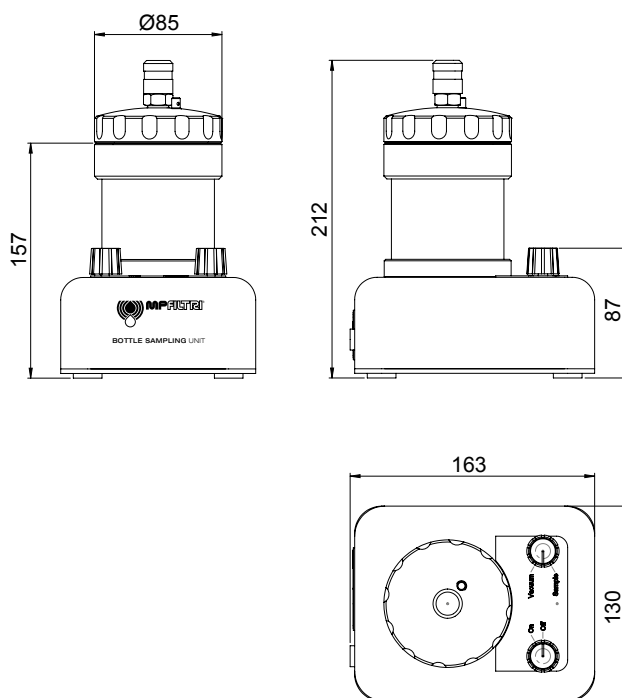


BS500



4.7 Dimensions and ordering code

BS110



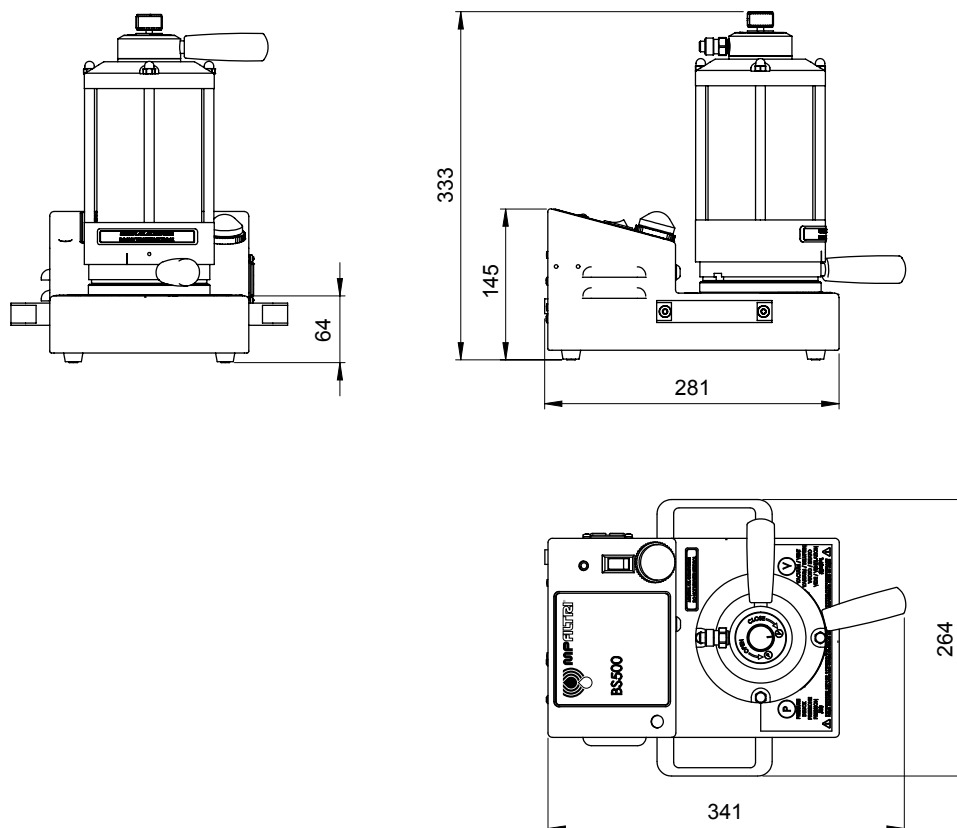
Designation & Ordering code

BOTTLE SAMPLER BS110

Series	Configuration example:	BS110	M	0	0
BS110 110 ml fluid volume					
Fluid compatibility					
M Mineral oil and synthetic fluids					
Pressure rating					
0 2 bar					
Pressure cylinder option					
0 Acrylic cylinder assembly					

TECHNICAL SPECIFICATION

BS500



Designation & Ordering code

BOTTLE SAMPLER BS500

Series	Configuration example:	BS500	V	0	0	UK
BS500 500 ml fluid volume						
Fluid compatibility						
V Mineral oil and synthetic fluids, Subsea and water based fluids						
E Phosphate ester and aggressive fluids						
S Phosphate ester and aggressive fluids, Mineral oil and synthetic fluids, Subsea and water based fluids						
Pressure rating						
0 2 bar, standard option						
H 4 bar, high pressure option (*)						
Pressure cylinder option						
0 Acrylic cylinder assembly						
S Glass cylinder assembly (**)						
Power adapter options						
UK UK power adapter						
EU European power adapter						
US USA power adapter						
AU/CN Australasia power adapter						

(*) = H version only available in BS500 V version

(**) = Glass version only available in BS500 E & S version



TECHNICAL SPECIFICATION

5. Product Installation and General Operation

5.1 Preliminary Operations

5.1.1 Internal Cleaning

Take care when cleaning the transparent cylinder, areas around the seals and surrounding metal work. DO NOT clean the Bottle Sampler with Acetone or similar solvents that are not compatible with the seals. The recommended cleaning fluid for internal flushing is listed on the website.

5.1.2 Pressurization and Opening

Always make sure that the top chamber is fully engaged before switching on the product. Always make sure to vent the product of pressure prior to opening or restarting the pump (check that the Visiwink is green)

Turning on the pump with the unit pressurized can reduce the performance of the product and/or cause irreparable damage



5.1.3 Bottle Cleanliness and Verification

To reduce the risk of your sample container affecting the contamination reading of your fluid sample, where possible try to use bottles which have been cleaned and verified to the relevant ISO standards, these include but are not limited to:

DIN ISO 3722	Hydraulic Fluid Power, fluid sample containers, qualifying & controlling cleaning methods
DIN ISO 5884	Fluid systems and components, methods for system sampling and measuring the solid particle contamination of hydraulic fluids
US FED STD 209E	Cleanroom standards, Class 100.000 minimum
ISO 14644-1	Cleanroom standards, ISO 8 minimum

How to clean and re-use your own bottles

For definitive guidance on the cleaning and verification of glassware refer to ISO3722 and ISO5884.

Below are some steps based on the above standards.

For use with Hydrocarbon/ Synthetic/Ester Fluid sampling:

1. Fill the container with 50 ml acetone, replace the cap, shake vigorously and drain to a waste container.
2. Fill to 50% of the container volume with 0.4 µm filtered Iso-propyl alcohol. Replace cap, shake vigorously and drain to a waste container.
3. Fill to 50% of the container volume with 0.4 µm filtered Petroleum Ether. Replace cap, shake vigorously and drain to a waste container.
4. Loosely replace the cap and do not remove until you are ready to take your next sample. (This allows any trace amounts of Petroleum Ether to evaporate from the bottle and reduces the risk of any air-borne particles entering the container.)
5. Once complete, the fluid sample should be disposed of correctly and responsibly in line with local and international regulations.

For use with Water Based/Off-shore Fluid sampling:

1. Fill the container with 50 ml Iso-propyl alcohol, replace the cap, shake vigorously and drain to a waste container.
2. Fill to 50% of the container volume with 0.4 µm filtered De-ionised water. Replace cap, shake vigorously and drain to a waste container.
3. Fill to 50% of the container volume with 0.4 µm filtered De-ionised water. Replace cap, shake vigorously and drain to a waste container.
4. Loosely replace the cap and do not remove until you are ready to take your next sample. (This reduces the risk of any air-borne particles entering the container.)
5. Once complete, the fluid sample should be disposed of correctly and responsibly in line with local and international regulations.

5.1.4 Fluid Sampling/ Hand Pump

We always recommend using our hand pump, clean bottle and hose method which limits ingress of contamination. Using the hand pump means that the sample hose can be cleaned or replaced between samples, and the bottle always remains isolated from the surrounding environment.

Hand pump and hose are available as spares via MP Filtri. Please note, this is only currently available for 100 ml or 200 ml size bottles.

5.2. General Operation

Optional Equipment:

Course Screen Filter to protect the contamination monitoring product from fluids that have particularly high contamination that could block the flow path

5.2.1 Physical Checks

- Oil leaks on and around the unit
- Fatigue in hoses that might then leak when under system pressure
- There is no damage to any of the components
- All accessories are present and correct
- The operator has read through the manual

5.2.2 Flushing and Flushing Fluids

Prior to performing a test on the contamination monitoring product with a bottle sampler both units should be flushed in series with a suitable fluid to remove any traces of previous samples.

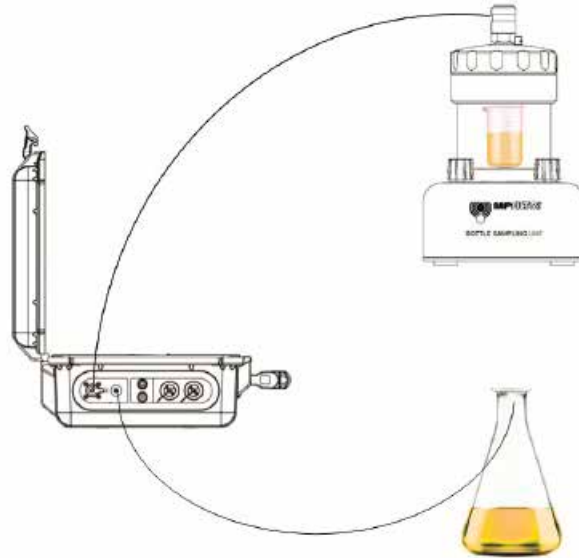
For guidance on flushing fluids see the document on the USB stick supplied with the contamination monitoring product.

DO NOT clean the Bottle Sampler with Acetone or similar solvents that are not compatible with the seals.
The recommended cleaning fluid for internal flushing is listed on the website: www.mpfiltri.co.uk



PRODUCT INSTALLATION

BS110



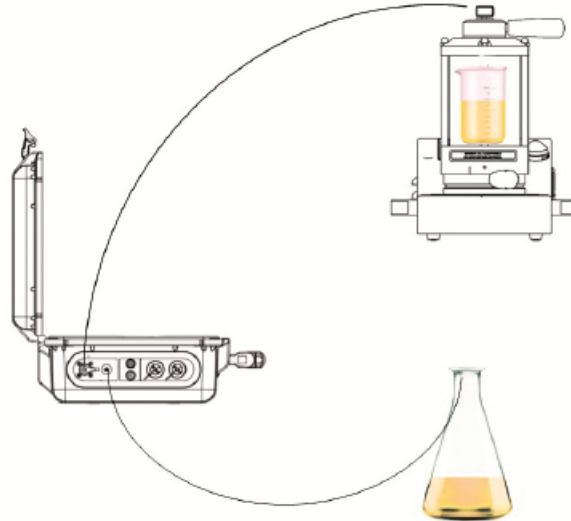
- 1 Insert waste fluid hose into the waste bottle provided.
- 2 Connect waste fluid hose to contamination monitoring product (waste connector).
- 3 Connect microbore pressure hose (600 mm) to the contamination monitoring product.
- 4 Connect microbore pressure hose (600 mm) to the bottle sampler connection.
- 5 Connect the power supply to bottle sampler, using power adaptor supplied.
- 6 Switch ON the contamination monitoring product.
- 7 Select Short Test Sampling option.
- 8 Enter test details, for more information refer to the contamination monitoring product user guide.
- 9 Remove the pressure cap by rotating anti clockwise, until it disengages and then lift to remove.
- 10 Place a bottle with minimum 80 ml of flushing fluid onto the base unit.
- 11 Replace the pressure cap.
- 12 Turn the selector handle to Pressure (sample).
- 13 Switch on the BS110.
- 14 The pressure inside the chamber will slowly increase to around 2.5 bar.
- 15 Once the BS110 stabilises, this takes about 30 seconds, press flush button on the contamination monitoring product. This is approximately 30 seconds after the unit is switched on.
- 16 Press the start button on the contamination monitoring product once about half the fluid has flushed from the bottle. This will start a short test which will purge the contamination monitoring product.
- 17 Once the test is complete press the flush button until all the fluid has flushed through, if the fluid coming from the waste is clear the contamination monitoring product and bottle sampler are ready for testing. If the fluid is not clear repeat the flushing process.
- 18 Turn off the bottle sampler.
- 19 Select Triple or Bottle Test Sampling option on the contamination monitoring product.
- 20 Draw off a sample of oil (80 ml minimum) from the system into the bottle provided. If this is impractical then use the hand pump, clean bottle and hose provided to draw off a sample of fluid.

Please ensure that the pump and hose are cleaned with an appropriate filtered solvent (i.e. Iso-propyl alcohol) prior to the sample being taken. Sample bottles and associated products are to be cleaned in accordance with the instructions in section 6.1.3.



NOTE

BS500



1. Insert waste fluid hose into the waste bottle provided.
2. Connect waste fluid hose to contamination monitoring product (waste connector).
3. Connect microbore pressure hose (600 mm) to the contamination monitoring product.
4. Connect microbore pressure hose (600 mm) to the bottle sampler connection.
5. Connect the power supply to bottle sampler, using power adaptor supplied.
6. Switch ON the contamination monitoring product.
7. Select Short Test Sampling option.
8. Enter test details, for more information refer to the contamination monitoring product user guide.
9. Remove the top chamber by rotating anti clockwise, until it disengages and then lift to remove.
10. Place a bottle with minimum 200 ml of flushing fluid onto the base unit.
11. Replace the top chamber. The silver spot on the top chamber should be aligned with the centre of the smallest groove. The top chamber can then be lowered, and the top should be lined up with the silver line between the two lines on the base.
12. Turn the selector handle to Pressure, towards the red disc P.
13. Turn the top valve anti-clockwise to the open position, towards the P.
14. Switch on the BS500.
15. The pressure inside the chamber will slowly increase and the Visiwink will turn red.
16. Once the BS500 stabilises, this takes about 30 seconds, press flush button on the contamination monitoring product. This is approximately 30 seconds after the unit is switched on.
17. Press the start button on the contamination monitoring product once about half the fluid has flushed from the bottle. This will start a short test which will purge the contamination monitoring product.
18. Once the test is complete press the flush button until all the fluid has flushed through, if the fluid coming from the waste is clear the contamination monitoring product and bottle sampler are ready for testing. If the fluid is not clear repeat the flushing process.
19. Turn off the bottle sampler.
20. Turn the selector handle to Vacuum, towards the yellow disc with V. This will release the pressure in the chamber.
21. Select Triple or Bottle Test Sampling option on the contamination monitoring product.
22. Draw off a sample of oil (150 ml minimum) from the system into the bottle provided. If this is impractical then use the hand pump, clean bottle and hose provided to draw off a sample of fluid.

Please ensure that the pump and hose are cleaned with an appropriate filtered solvent (i.e. Iso-propyl alcohol) prior to the sample being taken. Sample bottles and associated products are to be cleaned in accordance with the instructions in section 6.1.3.

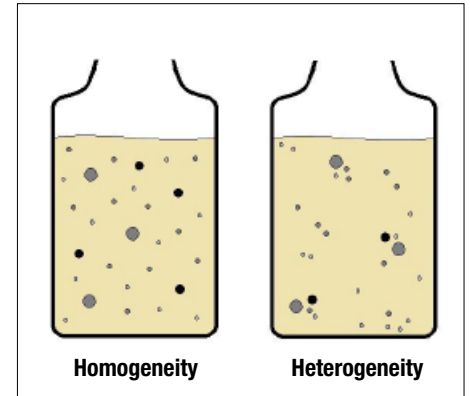


NOTE

PRODUCT INSTALLATION

5.2.3 De-aeration

It is important when analysing samples for the particles to be evenly distributed within the sample volume. This is achieved by agitating the sample. This improves the accuracy of readings from the contamination monitoring products as particles do not settle in the bottom of the bottle due to gravity. This also causes aeration in the sample which can interfere with the sensitivity of the monitor. The bottle sampler creates a small vacuum within the chamber. Over a short period of time, depending on the viscosity, the air bubbles work their way out of the sample.



Contamination distribution in a sample

BS110

1. Agitate sample for minimum 60 seconds, we would always recommend using a paint shaker, on the highest frequency, to agitate the sample. If a paint shaker is not available, we would recommend 2 to 3 minutes by hand with random direction movements.
2. Remove the pressure cap from the bottle sampler.
3. Place the sample bottle into the bottle sampler.
 - ⚠ DO NOT pour fluid sample directly into the chamber.
4. Fit the vacuum cap onto the Bottle Sampler
5. Turn the right hand dial so that vacuum is selected
NOTE: the intermediate position between vacuum and sample performs no function
6. Switch ON the bottle sampling unit by turning the dial to ON
7. Leave running for several minutes, until all air bubbles have been removed from the fluid sample
8. Switch OFF the Bottle Sampler - This will automatically vent the chamber to atmosphere.



ALWAYS switch the bottle sampler unit to OFF before turning the Vacuum / Sampling Dial.

BS500

1. Agitate sample for minimum 3 minutes, we would always recommend using a paint shaker, on the highest frequency, to agitate the sample. If a paint shaker is not available, we would recommend 4 to 5 minutes by hand with random direction movements
2. Remove the top chamber from the base of the bottle sampler
3. Place the sample bottle into the bottle sampler
 - ⚠ DO NOT pour fluid sample directly into the chamber.
4. Replace the top chamber. The silver spot on the top chamber should be aligned with the centre of the smallest groove. The top chamber can then be lowered, and the top should be lined up with the silver line between the two lines on the base
5. Screw top valve clockwise until slight resistance is felt, to close valve
6. Turn the selector handle to Vacuum, the position nearest the yellow disc marked V
7. Switch ON the bottle sampling unit and leave running for several minutes, until all air bubbles have been removed from the fluid sample.
 - ⚠ It may be necessary to vent the chamber on occasion, to stop spill over due to foaming.

This is done by turning the selector handle to Pressure, the position nearest the red disc marked P.


5.2.4 Operating with Contamination Monitoring Product

BS110


1. Fit a disposable dip tube into the pressure cap and fit the cap on to the Bottle sampler
2. Connect the Test Hose (0.6 m) to the bottle sampler connection
3. Connect the other end of the test hose to the Particle analyser
4. Switch ON the Particle analyser, and select 'Triple' or the 'Bottle Sample' option
5. Enter test details. For more information please refer to the particle analyser user guide
6. Rotate the function dial to the sample position
7. Switch ON the Bottle Sampler
8. Flush the analyser for a minimum of 10 seconds
9. Start the test
10. The Bottle Sampling Test is a three-test analysis, as described in the contamination monitoring product user guide
11. Upon test completion (after the emptying cycle is completed) switch OFF the bottle sampler this will automatically vent the pressurised chamber to atmosphere.

BS500

1. Switch OFF the bottle sampler and turn the operating mode selector to the position nearest the red disc marked P.

 The top valve must not be opened BEFORE the operating mode selector has been changed to the position P. To do so, could allow fluid to reverse flow back into the sample bottle and contaminate the sample.

2. Screw the top valve on the bottle sampler anticlockwise to open the valve.
3. Switch ON the bottle sampler.
4. The pressure inside the chamber will slowly increase as indicated on the Visiwink.
- 4a. Wait until change of tone can be heard (this is when the pressure reaches the regulator setting of 2.5 bar) approximately 45 seconds.
5. Flush the CMP approximately 50% of the sampler fluid.
6. Using the desired test set up as and method as described in the CMP operators guides.
7. The Bottle Sampling Test is a three-test analysis, as described in the contamination monitoring product user guide.
8. Upon test completion (after the emptying cycle is completed) switch OFF the bottle sampler.
9. Turn the operating mode selector slowly to Vacuum (the position nearest the yellow disc marked V). This vents the pressurised chamber to atmosphere. Ensure that the Visiwink indicator is green before removing the top chamber.
10. Remove the top chamber and remove the sample bottle.

 Do not allow fluid to drip from the dip tube onto the pressure/vacuum port. The pressure/vacuum port is the small vertical hole that can be seen in the base unit after the top chamber has been removed.

11. If you have other samples to analyse, as long as the specification of the fluid is the same, you can repeat the steps above without carrying out the flushing procedure. If, however the fluid specification is different, then it is recommended that the flushing procedure is followed before performing further testing.
12. Switch OFF the contamination monitoring product.

PRODUCT INSTALLATION

5.3 Disposal

All Bottle Sampler products are sent in a cardboard box with foam inside and these should be recycled accordingly. Fluids used with the Bottle Sampler should be fully drained and disposed of according to EU waste framework directive and ISO44001 Environmental Management.

6 Related Products

PRESSURE HOSE

M16x2 Micro bore pressure hose by length (various available)
Plated steel (alternative material options available)

Pressure hoses are able to connect MP Filtri products directly to your hydraulic systems.



RELATED PRODUCTS

HAND PUMP DEVICE



For systems where there is no practical access to a test point, a sample may need to be taken from an unpressurized reservoir.

For this occurrence we offer a simple hand pump device with both off-line sampling products which provides for clean and efficient sampling.

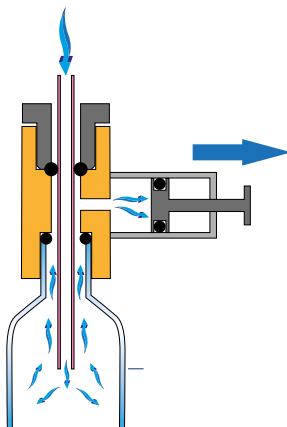
The design ensures that only the hose is in contact with the sample fluid, providing greater confidence in analysis, and we provide a range of adapters to suit our various bottle sizes.

The pump can be fully dismantled for cleaning and the sample hose plus main seal can be replaced to further improve clean practise.

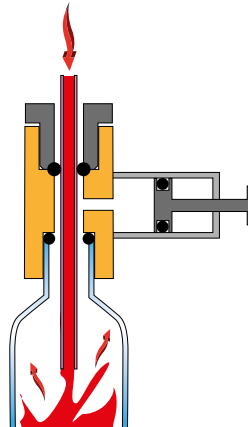
- Ultra clean bottles cleaned to and in accordance with DIN/ISO 5884.
- Ultra clean bottles cleanliness verified to ISO 3722.
- NAS 1638 cleanliness certification of between Class 00 and Class 0.

Descriptions	Part Code	Dimensions (mm)
100 ml - Ultra Clean Bottle (Certified)	P.02	Ø 50x92
100 ml - Standard Bottle Brown Glass	BS0016	Ø 50x91
100 ml - Clear Plastic Bottle	7.111	Ø 51x92
100 ml - Standard Bottle Tray (72 bottles)	BS0072	N/A
210 ml - Ultra Clean Bottle (Certified)	P.03	Ø 65x130
210 ml - Standard Bottle	8.054	Ø 65x122
500 ml - Standard Bottle	8.328	Ø 82x152

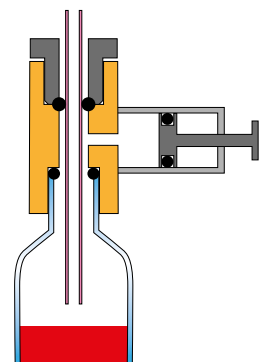
HOW IT WORKS



Priming the pump causes a vacuum inside the bottle, syphoning fluid from the reservoir.



The design of the pump means that only the hose is in contact with the fluid protecting the quality of the sample.



The sample level should always finish below the level of the hose. The bottle can now be removed and capped.



TROUBLESHOOTING / FAQ

7 Troubleshooting / FAQ

7.1 Misuse of Product

- The product should be connected to a power supply within the rating of the product and not wired directly to the mains.
- Ensure that the correct version of the product is being used with the correct fluids, not all versions are compatible with all fluids.
- The operator should follow all standard operating procedures previously set at the operating location as well as the procedures required by the manufacturer.
- The Bottle Sampler is not suitable for use in an explosive environment or an ATEX zone.

7.2 Fault Finding

Fault	Check
Unexpected results obtained from sample	Ensure that the microbore pressure hose has been fully connected at both the bottle sampler and the CMP. Confirm that there is a free flow of fluid to the CMP, by operating the flush valve and observing fluid passing to waste. Check that the BS500 is reaching sufficient pressure, 2 to 2.5 bar.
Bottle Sampler not reaching required pressure	Regrease O-ring in the base of bottle sampler using a suitable grease, silicone grease is recommended.
Sporadic results - especially when using triple & bottle testing	The bottle sampler has reached pressure before starting the test. Also that the bottle sampler is powered for full duration of the test.
Fluid level is not changing during flush/test	The bottle sampler has reached full pressure before starting test/flush.
Viscosity of fluid is below 400cSt	BS110 - the dip tube has been inserted and is still attached. The Microbore hoses are fully engaged at both ends.

The data and information contained in this publication are provided only for the purpose of information.
MP Filtri reserves the right to make changes to the models and versions of the products described at any time,
both for technical and commercial reasons.

The colours and photographs of the products are purely indicative.
Any reproduction, partial or total, of this document is strictly prohibited.
Rights reserved.



WORLDWIDE NETWORK

HEADQUARTERS

MP Filtri S.p.A.
Pessano con Bornago
Milano
Italy
sales@mpfiltri.com

BRANCH OFFICES

ITALFILTRI LLC
Moscow
Russia
mpfiltrirussia@yahoo.com

MP Filtri Canada Inc.
Concord, Ontario
Canada
sales@mpfiltricanada.com

MP Filtri France SAS
Saint-Priest
Lyon
France
sales@mpfiltrifrance.com

MP Filtri Germany GmbH
St. Ingbert
Germany
sales@mpfiltri.de

MP Filtri India Pvt. Ltd.
Bangalore
India
sales@mpfiltri.co.in

MP Filtri (Shanghai) Co., Ltd.
Shanghai
P.R. China
sales@mpfiltrishanghai.com

MP Filtri U.K. Ltd.
Bourton on the Water
Gloucestershire
United Kingdom
sales@mpfiltri.co.uk

MP Filtri U.S.A. Inc.
Quakertown, PA
U.S.A.
sales@mpfiltriusa.com

PASSION TO PERFORM



mpfiltri.com