

# TKT - TSD series

Nylon and aluminium filler and drain plugs



## Technical data

### Filler plugs

#### Nylon filler plug

TKT is a range of nylon compact filler plugs for filling of the fluid into the systems during the commissioning and maintenance procedures. They are usually directly fitted on the tank.

#### Available features:

- Male threaded connections up to G 2"
- Breathing hole, to reduce the pressure inside the filter during the maintenance operations
- Caps with different graphics and colours, for the use in several applications
- Dipstick, to monitor the fluid level into the tank even in complicated positions
- Antisplash, to avoid fluid coming out through the air breather due to sloshing
- Labyrinth filter, to avoid fluid coming out through the air breather due to sloshing

#### Common applications:

- Hydraulic systems
- Mobile machines
- Industrial equipment

### Materials

- Body: Nylon
- Seals: NBR, Inorganic fibre
- Labyrinth: Nylon
- Anti-splash feature: Resin impregnate paper
- Dipstick: Phosphatized steel

### Temperature

From -25 °C to +100 °C

### Weight

TKTG 13	5 g
TKTG 16	8 g
TKTG 20	10 g
TKTG 26	15 g
TKTG 33	30 g
TKTG 42	32 g
TKTG 60	35 g

### Quantity

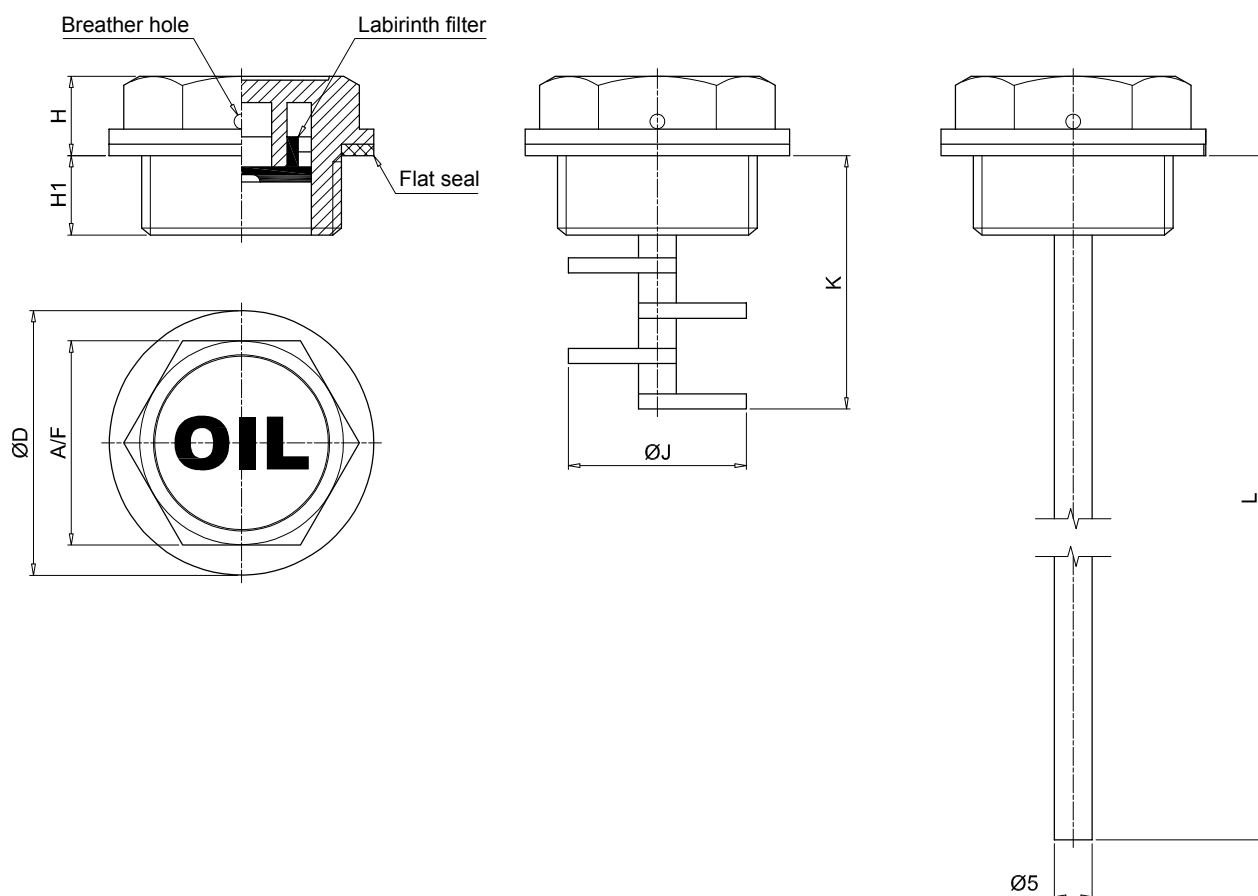
25 pcs/pack



## Designation & Ordering code

### FILLER PLUG - TKT

Series and size	Configuration example :									
<b>TKT</b>	TKT	G26	N	N	A	F	S	P01		
<b>Connections to the tank</b>	Version									
	S	A	F	L						
<b>G13</b> Thread G 1/4"	•	•		•						
<b>G16</b> Thread G 3/8"	•	•	•	•						
<b>G20</b> Thread G 1/2"	•	•	•	•						
<b>G26</b> Thread G 3/4"	•	•	•	•						
<b>G33</b> Thread G 1"	•	•	•							
<b>G42</b> Thread G 1 1/4"	•	•	•							
<b>G48</b> Thread G 1 1/2"	•	•	•							
<b>G60</b> Thread G 2"	•	•								
<b>Colour</b>	Version									
<b>N</b> Black nylon										
<b>Cover wording</b>	Version									
<b>O</b> Oil		<b>N</b> Neutral								
<b>Seals</b>	Version									
	S	A	F	L						
<b>A</b> NBR		•	•							
<b>B</b> Inorganic fiber	•			•						
<b>Breather hole</b>	Version									
<b>S</b> Without breather hole		<b>F</b> With breather hole								
<b>Version</b>	Version									
<b>S</b> Standard		<b>F</b> With anti-splash feature								
<b>A</b> With dipstick		<b>L</b> With labyrinth filter								
<b>Execution</b>	Version									
<b>P01</b> MP Filtri standard										
<b>Pxx</b> Customized										



Connections	ØD [mm]	A/F [mm]	H [mm]	H1 [mm]	ØJ [mm]	K [mm]	L [mm]
<b>G13</b>	20	17	8.5	7.5	-	-	205
<b>G16</b>	22	18	9.5	8.5	13.5	32	206
<b>G20</b>	28	22	9.5	9.5	17.5	33	207
<b>G26</b>	35	27	10.5	10.5	23.5	34	208
<b>G33</b>	42	34	10.5	10.5	29.5	36	201
<b>G42</b>	52	42	11	11	38	38	201
<b>G48</b>	58	47	11	11	38	36	201
<b>G60</b>	74	64	18	18	-	-	198

## Technical data

### Filler plugs

#### Nylon filler plug

TSD is a range of nylon compact air breathers and filler plugs for protection of the tank against the solid contamination contained into the air and filling of the fluid into the systems during the commissioning and maintenance procedures.

They are usually directly fitted on the tank.

#### Available features:

- Male threaded connections up to G 1 1/2"
- Metal filtration, to hold the coarse contamination contained into the air
- Caps with different graphics and colours, for the use in several applications
- Dipstick, to monitor the fluid level into the tank even in complicated positions
- Antisplash, to avoid fluid coming out through the air breather due to sloshing

#### Common applications:

- Hydraulic systems
- Mobile machines
- Industrial equipment

#### Materials

- Body: Nylon
- Cover: Nylon
- Seal: NBR
- Filter: Galvanized steel
- Anti-splash feature: Nylon
- Dipstick: Phosphatized steel

#### Temperature

From -25 °C to +100 °C

#### Weight

TSDG16	15 g
TSDG20	25 g
TSDG26	28 g
TSDG33	60 g
TSDG42	69 g
TSDG48	74 g

#### Quantity

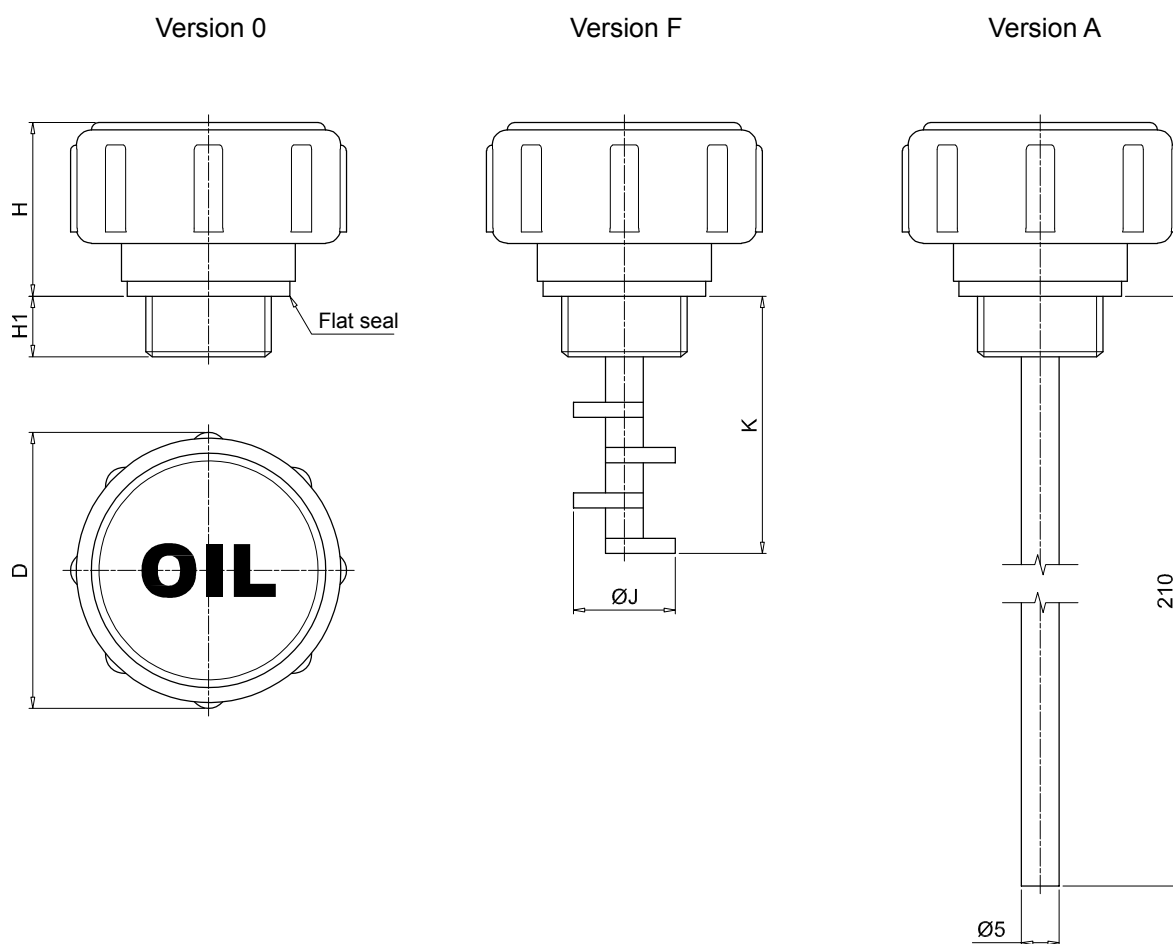
25 pcs/pack



## Designation & Ordering code

### FILLER PLUG - TSD

Series and size	Configuration example :								
<b>TSD</b>	TSD	G26	R	G	A	F	S	P01	
<b>Connections to the tank</b>									
<b>G16</b> Thread G 3/8"	<b>G33</b> Thread G 1"								
<b>G20</b> Thread G 1/2"	<b>G42</b> Thread G 1 1/4"								
<b>G26</b> Thread G 3/4"	<b>G48</b> Thread G 1 1/2"								
<b>Cover colour</b>									
<b>R</b> Red	<b>Y</b> Yellow								
<b>Cover wording</b>									
<b>O</b> Oil									
<b>N</b> Neutral									
<b>G</b> Gasoil									
<b>Seals</b>									
<b>A</b> NBR									
<b>Filter element</b>	Cover wording								
<b>O</b> Without filter element	N	O	G						
<b>A</b> Steel filter element	•	•	•						
<b>Version</b>									
<b>S</b> Standard									
<b>A</b> With dipstick									
<b>F</b> With anti-splash feature									
								<b>Execution</b>	
								<b>P01</b> MP Filtri standard	
								<b>Pxx</b> Customized	



Connections	ØD [mm]	H [mm]	H1 [mm]	ØJ [mm]	K [mm]
<b>G16</b>	36.5	23	8	13.5	34
<b>G20</b>	40.5	23	9	17.5	34
<b>G26</b>	46.5	23	10	23.5	35
<b>G33</b>	52.5	24	11	29.5	42
<b>G42</b>	67.5	31.5	12	38	45
<b>G48</b>	67.5	31.5	11	38	45