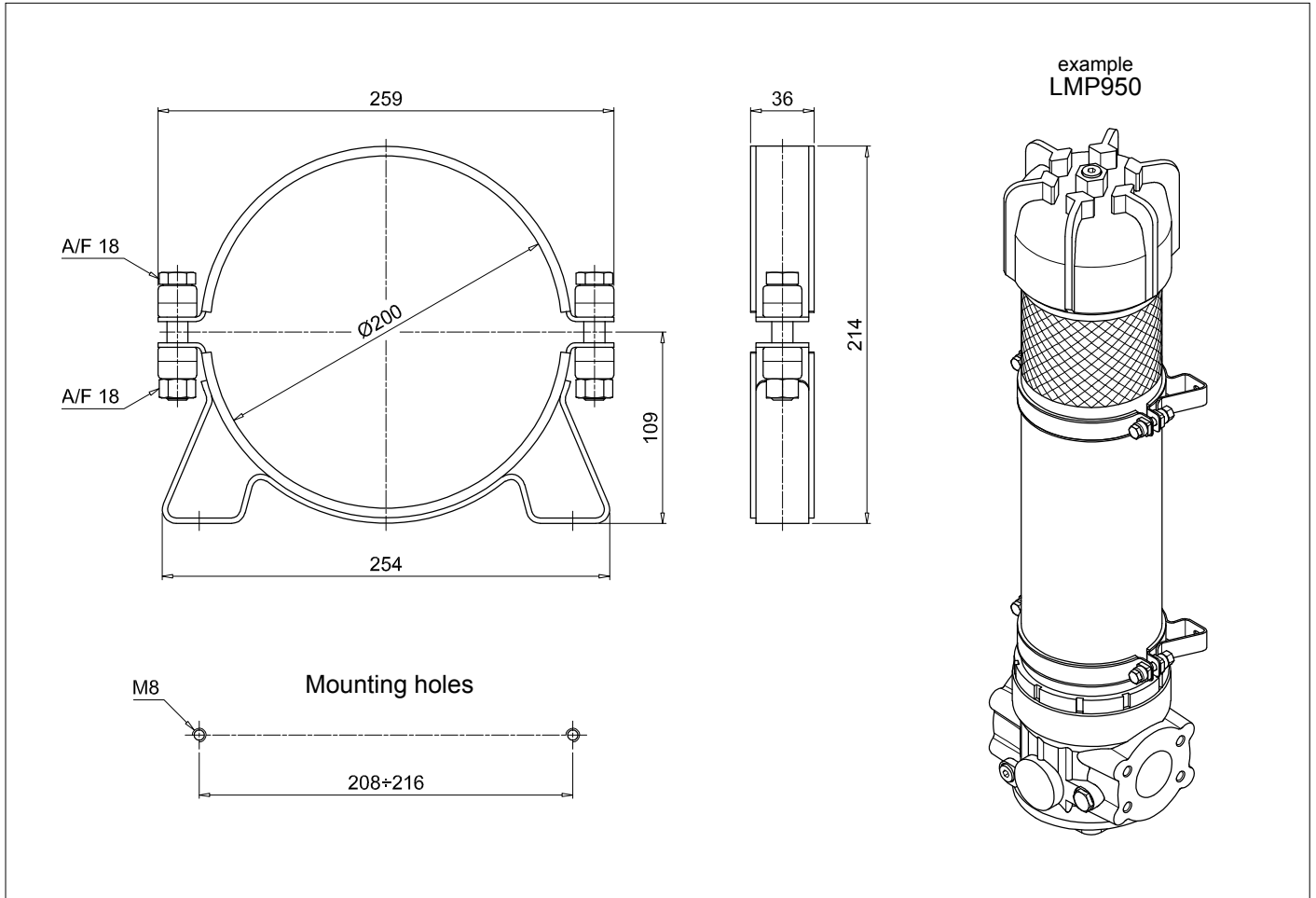


# Accessories

## RETAINING CLAMP



**Series**  
CFA Retaining clamp

Configuration example: CFA 20 M P01

**Size**  
20

**Screw**  
M Metric

**Execution**  
P01 MP Filtri standard