

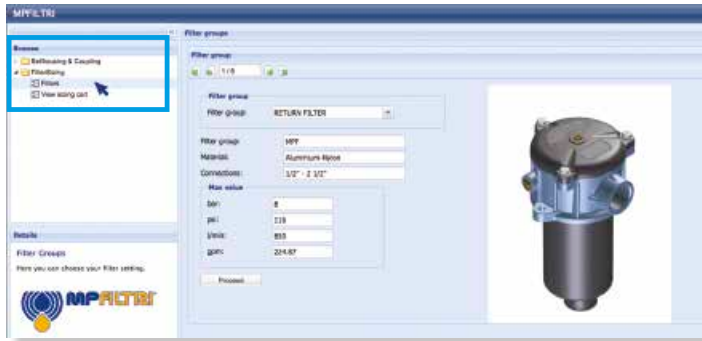
# LMP 950-951 series

Maximum working pressure up to 3 MPa (30 bar) - Flow rate up to 2400 l/min





## Step 1 Select "FILTERS"



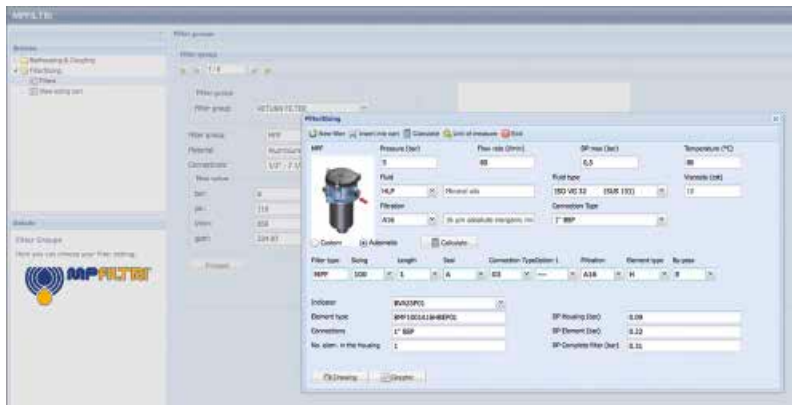
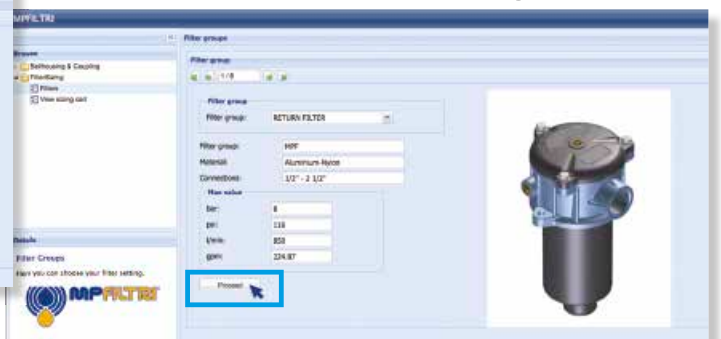
## Step 2 Choose filter group (Return Filter, Pressure Filter, etc.)



## Step 3 Choose filter type (MPF, MPT, etc.) in function of the max working pressure and the max flow rate



## Step 4 Push "PROCEED"



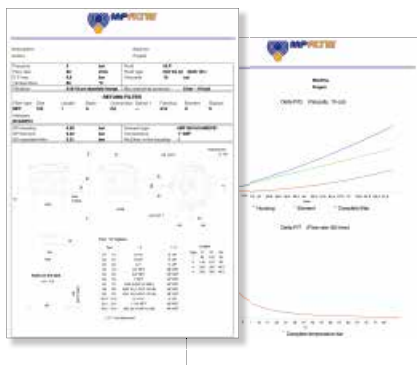
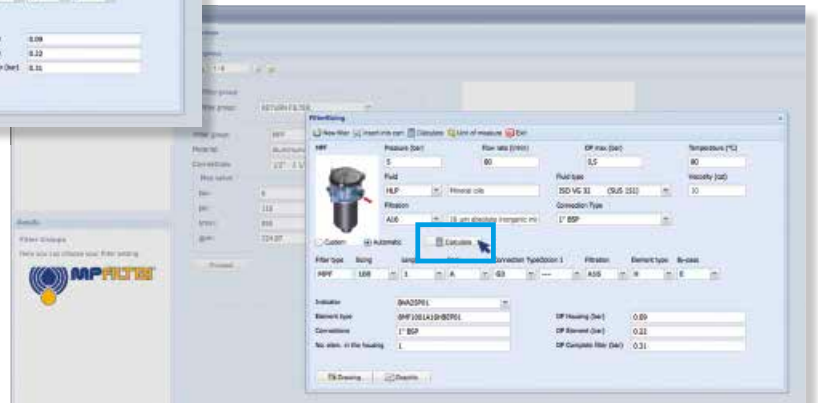
## Step 5

Insert all application data to calculate the filter size following the sequence:

- working pressure
- working flow rate
- working pressure drop
- working temperature
- fluid material and fluid type
- filtration media
- connection type

## Step 6

Push "CALCULATE" to have result; in case of any mistake, the system will advise which parameter is out of range to allow to modify/adjust the selection



## Step 7

Download PDF  Datasheet "Report.aspx" pushing the button "Drawing"

# LMP 950-951 GENERAL INFORMATION

## Description

## Technical data

### Low & Medium Pressure filters

**Maximum working pressure up to 3 MPa (30 bar)**  
**Flow rate up to 2400 l/min**

LMP950 is a range of low pressure filter with large filtration surface mainly suitable for lubrication, off-line filtration of the reservoirs and filtration equipment.

They are directly connected to the lines of the system through the hydraulic fittings.

#### Available features:

- Flanged connections up to 4", for a maximum flow rate of 2400 l/min
- In line or 90° connections, to meet any type of application
- Base-mounting design, for ease of the replacement of the filter element
- Fine filtration rating, to get a good cleanliness level into the system
- Water removal elements, to remove the free water from the hydraulic fluid. For further information, see the Contamination Management document and the dedicate leaflet.
- Bypass valve, to relieve excessive pressure drop across the filter media
- Vent ports, to avoid air trapped into the filter going into the system
- Drain ports, to remove the fluid from the housing prior the maintenance work
- Visual, electrical and electronic differential clogging indicators

#### Common applications:

- Off-line filtration of reservoirs
- Filtration systems
- Lubrication systems

#### Filter housing materials

- Head: Anodized Aluminium
- Housing: Anodized Aluminium
- Bypass valve: Anodized Aluminium

#### Pressure

- Test pressure: 4,5 MPa (45 bar)
- Burst pressure: 12 MPa (120 bar)
- Pulse pressure fatigue test: 1 000 000 cycles with pressure from 0 to 3 MPa (30 bar)

#### Bypass valve

- Opening pressure 350 kPa (3.5 bar) ±10%
- Other opening pressures on request.

#### Δp element type

- Microfibre filter elements - series N: 20 bar
- Fluid flow through the filter element from OUT to IN

#### Seals

- Standard NBR series A
- Optional FPM series V

#### Temperature

From -25 °C to +110 °C

#### Connections

LMP 950: In-line Inlet/Outlet  
 LMP 951: 90° Inlet/Outlet

#### Note

LMP 950 - 951 filters are provided for vertical mounting



## Weights [kg] and volumes [dm<sup>3</sup>]

Filter series	Weights [kg]			Volumes [dm <sup>3</sup> ]		
	Length	2	3	Length	2	3
<b>LMP 950-951</b>		25.1	33.5		15	28

Filter series	Length	Filter element design - N Series						M25 M60 M90 M250
		A03	A06	A10	A16	A25		
LMP 950	2	613	756	953	1219	1515	2170	
	3	1148	1219	1502	1713	1808	2293	
LMP 951	2	635	789	1007	1308	1649	2420	
	3	1226	1308	1634	1881	1993	2566	

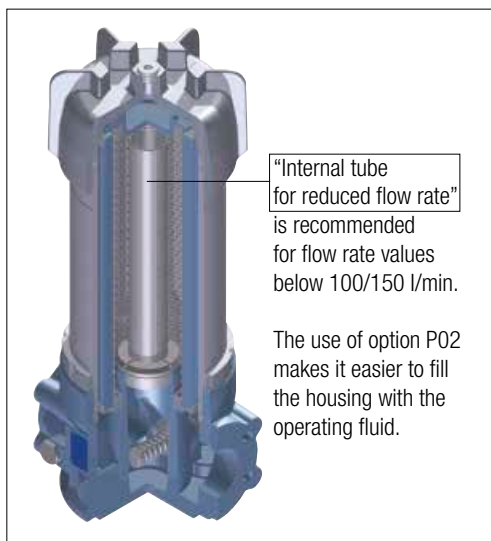
### Maximum flow rate for a complete low and medium pressure filter with a pressure drop $\Delta p = 0.7$ bar.

The reference fluid has a kinematic viscosity of 30 mm<sup>2</sup>/s (cSt) and a density of 0.86 kg/dm<sup>3</sup>.

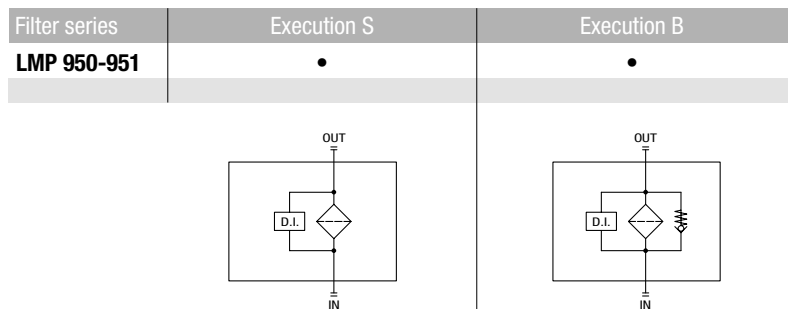
For different pressure drop or fluid viscosity we recommend to use our selection software available on [www.mpfiltri.com](http://www.mpfiltri.com).

You can also calculate the right size using the formulas present on the FILTER SIZING paragraph at the beginning of the full catalogue or at the beginning of the filter family brochure. Please, contact our Sales Department for further additional information.

### Execution P02

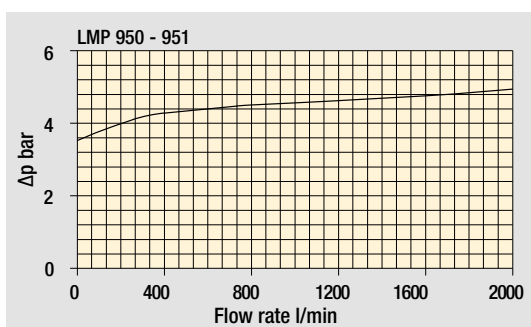
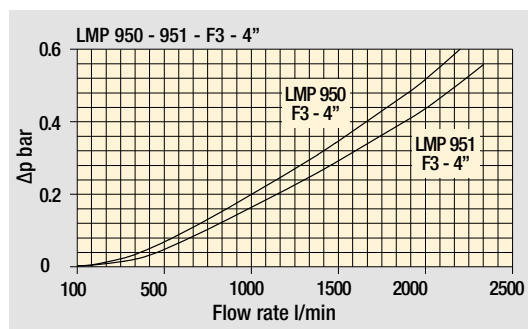
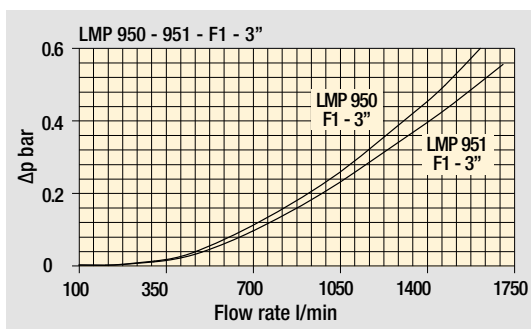


### Hydraulic symbols



### Pressure drop

Filter housings  $\Delta p$  pressure drop



Bypass valve pressure drop

The curves are plotted using mineral oil with density of 0.86 kg/dm<sup>3</sup> in compliance with ISO 3968.  $\Delta p$  varies proportionally with density.

# LMP 950-951

## Designation & Ordering code

### COMPLETE FILTER

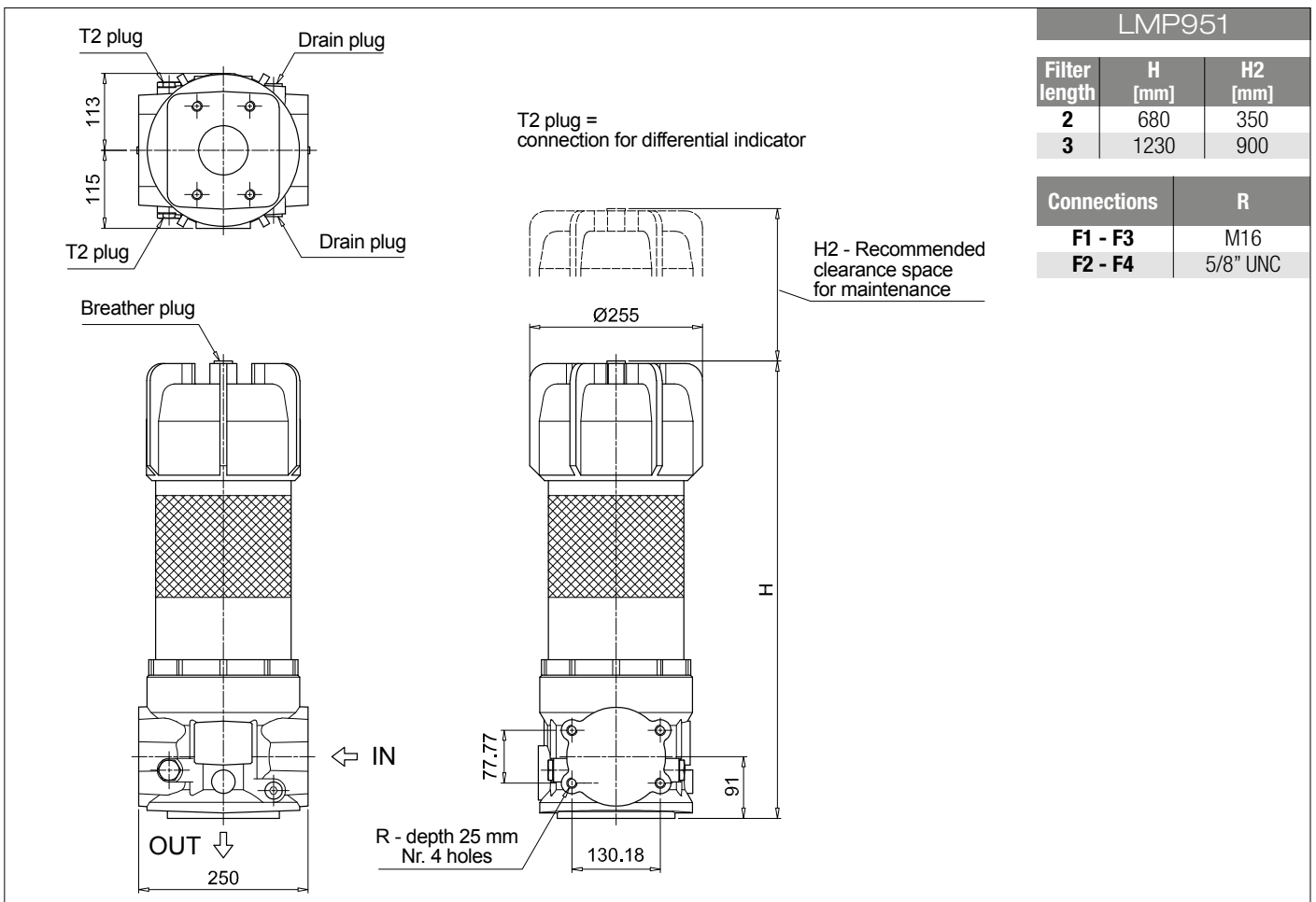
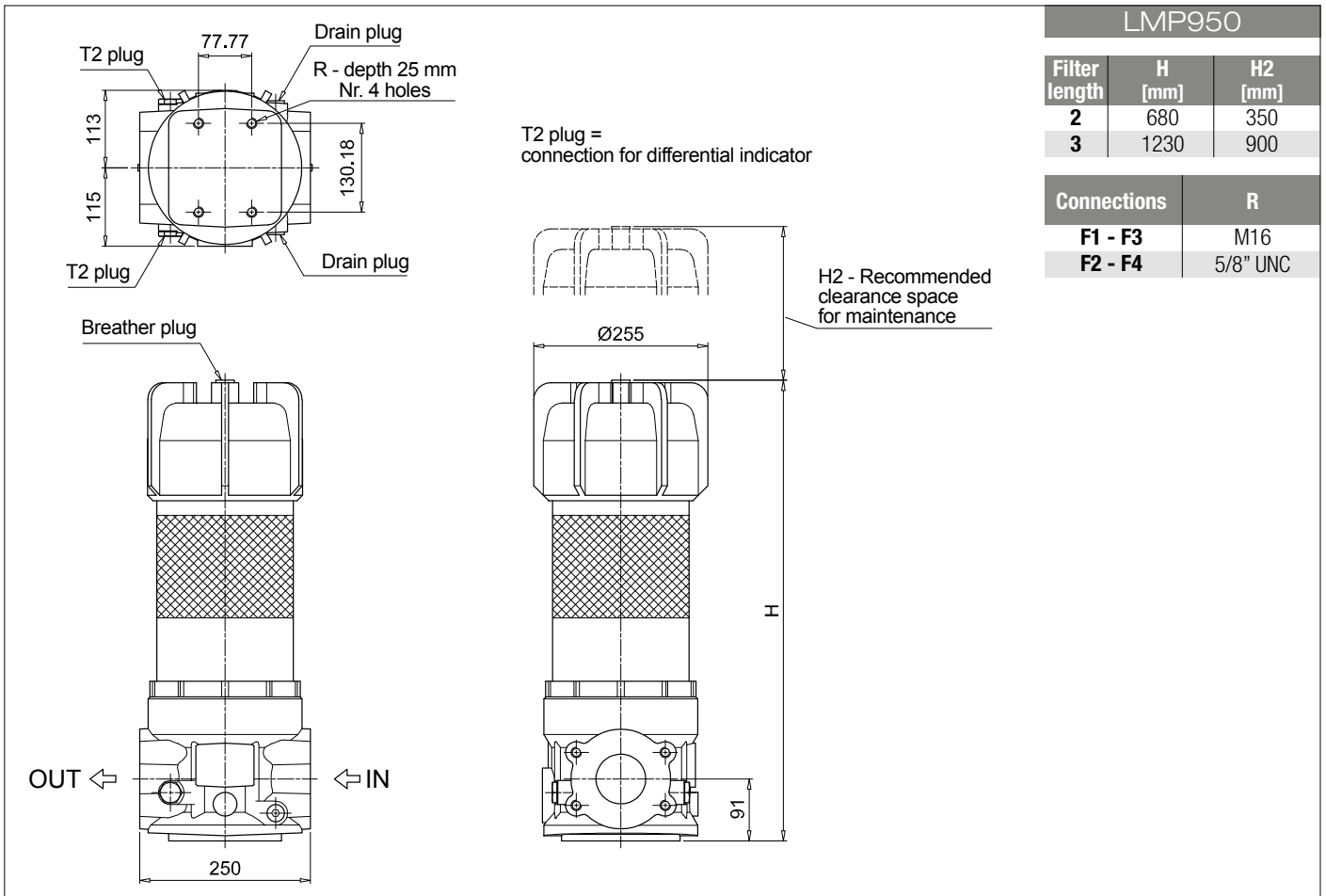
<b>Series and size</b> <b>LMP950   LMP951</b>	Configuration example: <b>LMP951</b>   <b>2</b>   <b>B</b>   <b>A</b>   <b>F2</b>   <b>A10</b>   <b>N</b>   <b>P01</b>
<b>Length</b> <b>2</b>   <b>3</b>	
<b>Bypass valve</b> <b>S</b> Without bypass   <b>B</b> 3.5 bar	
<b>Seals and treatments</b> <b>A</b> NBR <b>V</b> FPM	
<b>Connections</b> <b>F1</b> 3" SAE 3000 psi/M <b>F2</b> 3" SAE 3000 psi/UNC <b>F3</b> 4" SAE 3000 psi/M <b>F4</b> 4" SAE 3000 psi/UNC	
<b>Filtration rating (filter media)</b> <b>A03</b> Inorganic microfiber 3 µm   <b>M25</b> Wire mesh 25 µm <b>A06</b> Inorganic microfiber 6 µm   <b>M60</b> Wire mesh 60 µm <b>A10</b> Inorganic microfiber 10 µm   <b>M90</b> Wire mesh 90 µm <b>A16</b> Inorganic microfiber 16 µm <b>A25</b> Inorganic microfiber 25 µm <b>WA025</b> Water absorber inorganic microfiber 25 µm	
	<b>Element Δp</b> <b>N</b> 20 bar
	<b>Execution</b> <b>P01</b> MP Filtri standard <b>P02</b> With internal tube for reduced flow rate <b>Pxx</b> Customized

### FILTER ELEMENT

<b>Element series and size</b> <b>CU950</b>	Configuration example: <b>CU950</b>   <b>2</b>   <b>A10</b>   <b>A</b>   <b>N</b>   <b>P01</b>
<b>Element length</b> <b>2</b>   <b>3</b>	
<b>Filtration rating (filter media)</b> <b>A03</b> Inorganic microfiber 3 µm   <b>M25</b> Wire mesh 25 µm <b>A06</b> Inorganic microfiber 6 µm   <b>M60</b> Wire mesh 60 µm <b>A10</b> Inorganic microfiber 10 µm   <b>M90</b> Wire mesh 90 µm <b>A16</b> Inorganic microfiber 16 µm <b>A25</b> Inorganic microfiber 25 µm <b>WA025</b> Water absorber inorganic microfiber 25 µm	
<b>Seals</b> <b>A</b> NBR <b>V</b> FPM	
	<b>Element Δp</b> <b>N</b> 20 bar
	<b>Execution</b> <b>P01</b> MP Filtri standard <b>Pxx</b> Customized

### ACCESSORIES

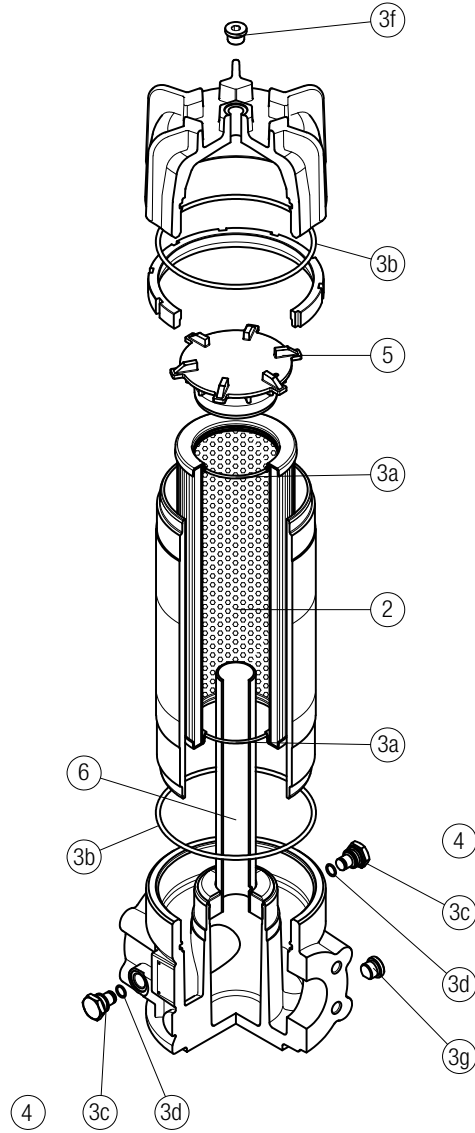
<b>Differential indicators</b>	page		page
<b>DEA</b> Electrical differential indicator	445	<b>DTA</b> Electronic differential indicator	448
<b>DEM</b> Electrical differential indicator	445-446	<b>DVA</b> Visual differential indicator	448
<b>DLA</b> Electrical / visual differential indicator	446-447	<b>DVM</b> Visual differential indicator	448
<b>DLE</b> Electrical / visual differential indicator	447		
<b>Additional features</b>	page		page
<b>T2</b> Plug	449	<b>CFA</b> Retaining clamp	450



# LMP 950-951 SPARE PARTS

Order number for spare parts

LMP 950 - 951



Item:	Q.ty: 2 pcs.	Q.ty: 1 pc.		Q.ty: 2 pcs.		Q.ty: 1 pc.		Q.ty: 1 pc.	
Filter series	Filter element	Seal Kit code number		Indicator connection plug		Housing spigot		Tube assembly	
LMP 950-951 length 2-3	See order table	NBR	FPM	NBR	FPM	no bypass	with bypass	length 2	length 3
		02050367	02050368	T2H	T2V	01044106	02001379	02025032	02025033