

MFB series

BOWL ASSEMBLY

Maximum working pressure up to 800 kPa (8 bar) - Flow rate up to 700 l/min



Description

Technical data

Return filter Bowl assembly

Maximum working pressure up to 800 kPa (8 bar)

Flow rate up to 700 l/min

MFB is a range of return filter kits for protection of the reservoir against the system contamination.

They are directly integrated in the moulded reservoir in immersed or semi-immersed position to save space into the tank.

Treaded or flanged covers can be provided.

The filter output must be always immersed into the fluid to avoid aeration or foam generation into the reservoir.

Available features:

- Fine filtration rating, to get a good cleanliness level into the reservoir
- Bypass valve integrated into the filter element, to relieve excessive pressure drop across the filter media
- Extension tube, to be used in deep reservoirs (sold as separate item)
- Diffuser, to reduce the risk of aeration, foaming and noise (sold as separate item)

Common applications:

Mobile machines

Bowl assembly materials

- Cover
Polyamide: MFB 020-030-100
Aluminium: MFB 180-190

- Bowl: Polyamide

Filter element materials

- Caps: Polyamide
- Spring: Spring steel

Bypass valve

- Opening pressure 175 kPa (1.75 bar) $\pm 10\%$
- Opening pressure 300 kPa (3 bar) $\pm 10\%$

Δp element type

- Microfibre filter elements - series H: 10 bar
- Fluid flow through the filter element from OUT to IN

Seals

- Standard NBR series A
- Optional FPM series V

Temperature

From -25 °C to +110 °C

Note

MFB filters are provided for vertical mounting

Weights [kg] and volumes [dm³]

Filter series	Weights [kg]					Volumes [dm ³]				
	Length	1	2	3	4	Length	1	2	3	4
MFB 020		0.25	0.35	0.40	-		0.10	0.15	0.20	-
MFB 030		0.25	-	-	-		0.15	-	-	-
MFB 100		0.50	0.60	0.75	0.95		0.35	0.50	0.80	1.10
MFB 180		1.60	2.40	-	-		1.50	2.90	-	-
MFB 190		-	2.40	-	-		-	3.00	-	-

Filter series	Length	Filter element design - H series					Filter element design - N series		
		A03	A06	A10	A16	A25	M25 M60 M90	P10	P25
MFB 020	1	7	10	23	28	42	59	51	54
	2	17	20	45	48	56	72	64	67
	3	21	24	50	55	59	76	74	75
MFB 030	1	7	10	24	29	47	84	60	66
MFB 100	1	18	20	53	56	65	153	87	96
	2	28	38	65	75	95	158	111	123
	3	48	55	125	135	169	289	224	251
	4	79	89	180	185	198	306	264	289
MFB 180	1	127	148	235	243	278	441	285	299
	2	231	262	358	382	388	472	404	412
MFB 190	2	261	305	489	528	546	696	583	598

Maximum flow rate for a complete return filter with a pressure drop $\Delta p = 0.5$ bar.

The reference fluid has a kinematic viscosity of 30 mm²/s (cSt) and a density of 0.86 kg/dm³.

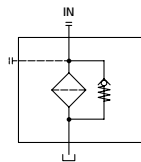
For different pressure drop or fluid viscosity we recommend to use our selection software available on www.mpfiltri.com.

You can also calculate the right size using the formulas present on the FILTER SIZING paragraph at the beginning of the full catalogue or at the beginning of the filter family brochure.

Please, contact our Sales Department for further additional information.

Hydraulic symbols

Filter series	Style 1 connection
MFB 020	•
MFB 030	•
MFB 100	•
MFB 180	•
MFB 190	•



MFB MFB020 - MFB030 - MFB100 - MFB180 - MFB190

Designation & Ordering code

COMPLETE FILTER

Series and size						Configuration example 1: MFB100 1 A 2 A10 H E P01							
MFB020 MFB030 MFB100 MFB180 MFB190						Configuration example 2: MFB180 2 V 1 M25 N B P01							
Filter element with private spigot													
Length	MFB020	MFB030	MFB100	MFB180	MFB190								
1	•	•	•	•	-								
2	•	-	•	•	•								
3	•	-	•	-	-								
4	-	-	•	-	-								
Seals													
A NBR													
V FPM													
Version													
1 Without cover													
2 With flanged cover type MPF													
3 With threaded cover type MPT													
Filtration rating (filter media)													
A03 Inorganic microfiber 3 µm					M25 Wire mesh 25 µm								
A06 Inorganic microfiber 6 µm					M60 Wire mesh 60 µm								
A10 Inorganic microfiber 10 µm					M90 Wire mesh 90 µm								
A16 Inorganic microfiber 16 µm					P10 Resin impregnated paper 10 µm								
A25 Inorganic microfiber 25 µm					P25 Resin impregnated paper 25 µm								
Element Δp													
N 10 bar													
H 10 bar													
Filter media													
Axx													
Mxx													
Pxx													
										Bypass valve			
										E 3 bar			
										B 1.75 bar			
										Execution			
										P01 MP Filtri standard			
										Pxx Customized			

FILTER ELEMENT

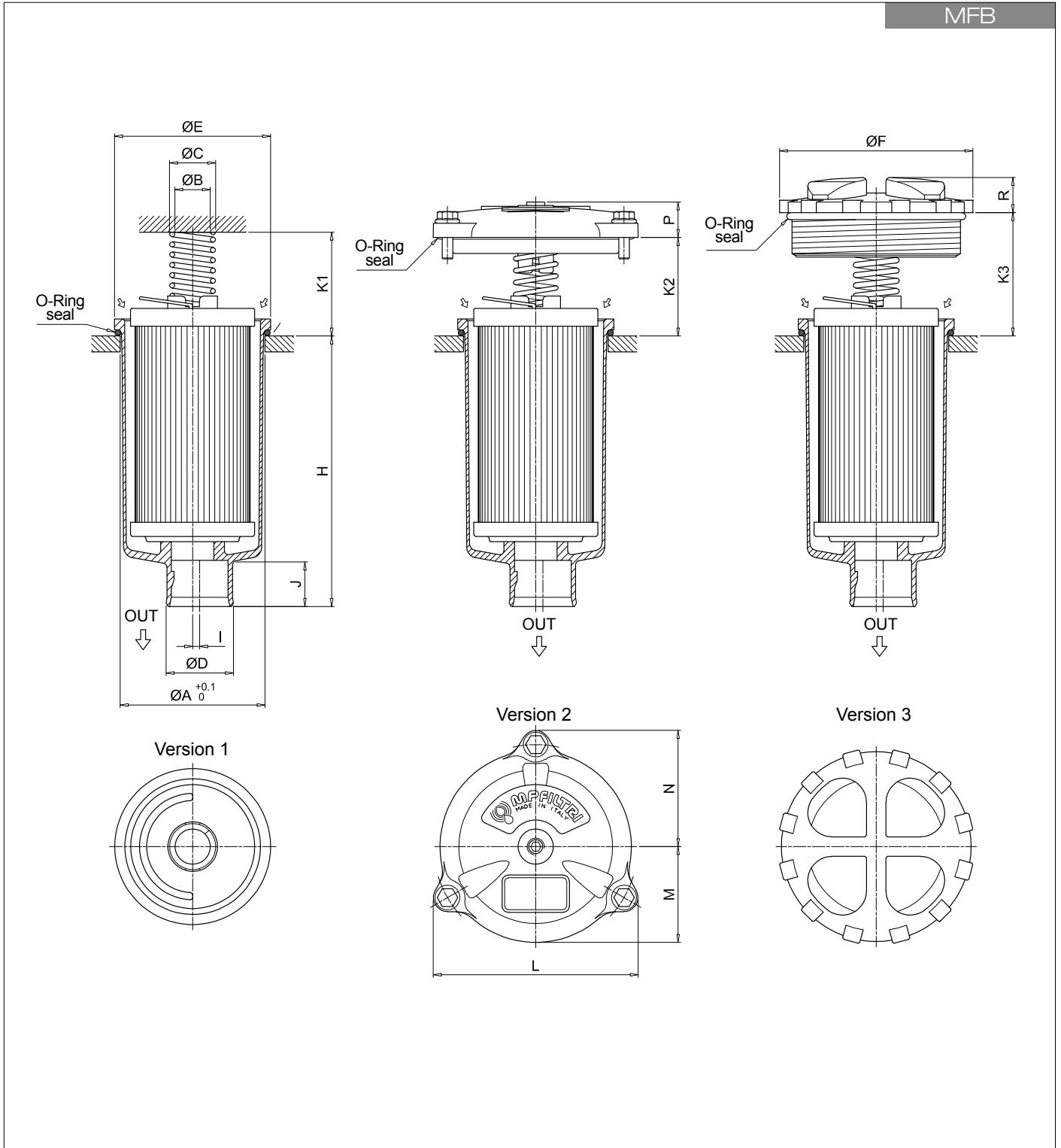
Element series and size						Configuration example 1: MF100 1 A10 H B E P01							
MF020 MF030 MF100 MF180 MF190						Configuration example 2: MF180 2 M25 N V P01							
Filter element with private spigot													
Element length	MF020	MF030	MF100	MF180	MF190								
1	•	•	•	•	-								
2	•	-	•	•	•								
3	•	-	•	-	-								
4	-	-	•	-	-								
Filtration rating (filter media)													
A03 Inorganic microfiber 3 µm					M25 Wire mesh 25 µm								
A06 Inorganic microfiber 6 µm					M60 Wire mesh 60 µm								
A10 Inorganic microfiber 10 µm					M90 Wire mesh 90 µm								
A16 Inorganic microfiber 16 µm					P10 Resin impregnated paper 10 µm								
A25 Inorganic microfiber 25 µm					P25 Resin impregnated paper 25 µm								
Element Δp													
N 10 bar													
H 10 bar													
Filter media													
Axx													
Mxx													
Pxx													
										Seals			
										B NBR			
										V FPM			
										Bypass valve			
										E 3 bar			
										- 1.75 bar			
										Execution			
										P01 MP Filtri standard			
										Pxx Customized			

ACCESSORIES

See page 262

	MFB020	MFB030	MFB100	MFB180	MFB190
TE Extension tube	•	•	•	•	•
DFS Diffuser with fast lock connection	-	-	•	-	-

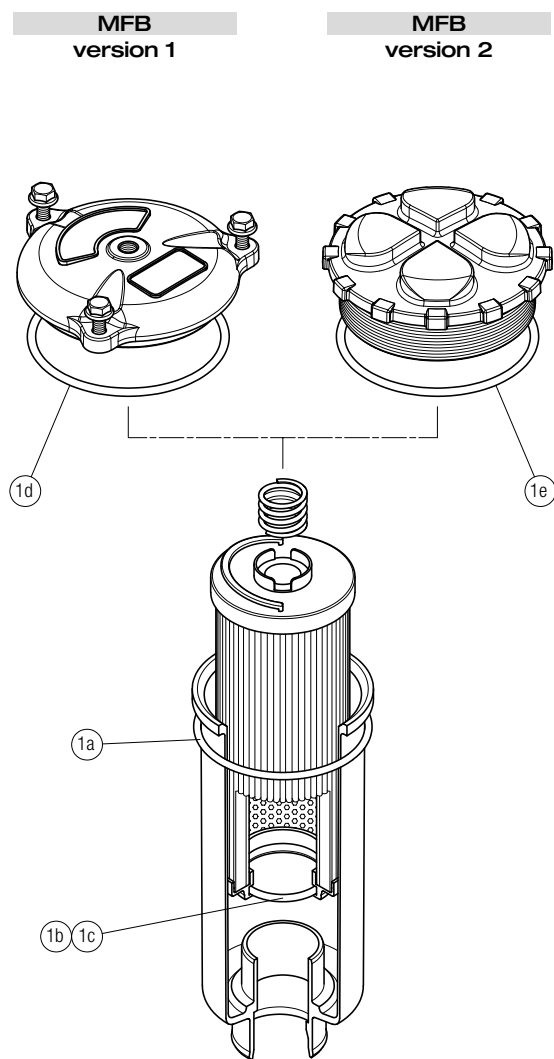
MFB



Filter size	Filter Length	ø A [mm]	ø B [mm]	ø C [mm]	ø D [mm]	ø E [mm]	ø F [mm]	H [mm]	I [mm]	J [mm]	K1 [mm]	K2 [mm]	K3 [mm]	L [mm]	M [mm]	N [mm]	P [mm]	R [mm]
020	1	52	20.5	26	32	56	75	111	0	24	42	-	36	-	-	-	-	18
	2	52	20.5	26	32	56	75	175	0	24	42	-	36	-	-	-	-	18
	3	52	20.5	26	32	56	75	214	0	24	42	-	36	-	-	-	-	18
030	1	60.5	20	25.5	32	68	-	92	3	21	33	35	-	92	42	52	18	-
	1	80.5	20	26	38	88	111	107	4	24	58	55	69	116	54	66	20	20
	2	80.5	20	26	38	88	111	154	4	24	58	55	69	116	54	66	20	20
	3	80.5	20	26	47	88	111	232	0	24	58	55	69	116	54	66	20	20
180	1	112.5	26	33.5	47	121	-	234	0	31	58	58	69	159	76	95	21	-
	2	112.5	26	33.5	47	121	-	447	0	31	58	58	69	159	76	95	21	-
	2	112.5	26	33.5	50	121	-	454	0	38	58	58	69	159	76	95	21	-

MFB SPARE PARTS

Order number for spare parts



Q.ty: 1 pc.		
1 (1a ÷ 1e)		
Item:	Seal Kit code number	
Filter series	NBR	FPM
MFB 020	02050572	02050573
MFB 030	02050574	02050575
MFB 100	02050555	02050556
MFB 180	02050576	02050577
MFB 190	02050578	02050579



Accessories

POLYAMIDE EXTENSION TUBE

H1 - Total length immersed in the tank

Configuration example: **TE** **40** **A** **250**

Series	Size	Material	Length	H [mm]
TE			200	200
			250	250
			300	300
			350	350
			400	400
			450	450
			500	500

Filter series		Filter size		Filter length	Tube length											
					TE25	TE32	TE40	200	250	300	350	400	450	500		
MPF - MPFX	30			1	•	-	-	266	316	366	416	466	516	566		
MPF	100	104	110	1	-	•	-	275	325	375	425	475	525	575		
				2	-	-	-	322	372	422	472	522	572	622		
				3	-	-	•	400	450	500	550	600	650	700		
				4	-	-	-	502	552	602	652	702	752	802		
MPFX	100	104	110	1	-	-	•	277	327	377	427	477	527	577		
				2	-	-	•	322	372	422	472	522	572	622		
				3	-	-	•	400	450	500	550	600	650	700		
				4	-	-	-	502	552	602	652	702	752	802		
MPF MPFX	181	182	184	1	-	-	•	410	460	510	560	610	660	710		
				2	-	-	•	623	673	723	773	823	873	923		
MPT MPTX	025		027		1	•	-	-	278	328	378	428	478	528	578	
					2	-	-	-	342	392	442	492	542	592	642	
					3	-	-	-	380	430	480	530	580	630	680	
MPT	101	104	110	114	120	1	-	•	-	273	323	373	423	473	523	573
						2	-	-	•	320	370	420	470	520	570	620
						3	-	-	-	396	446	496	546	596	646	696
						4	-	-	•	498	548	598	648	698	748	798
MPTX	101	104	110	114	120	1	-	-	•	273	323	373	423	473	523	573
						2	-	-	•	318	368	418	468	518	568	618
						3	-	-	-	396	446	496	546	596	646	696
						4	-	-	•	498	548	598	648	698	748	798

STEEL EXTENSION TUBE

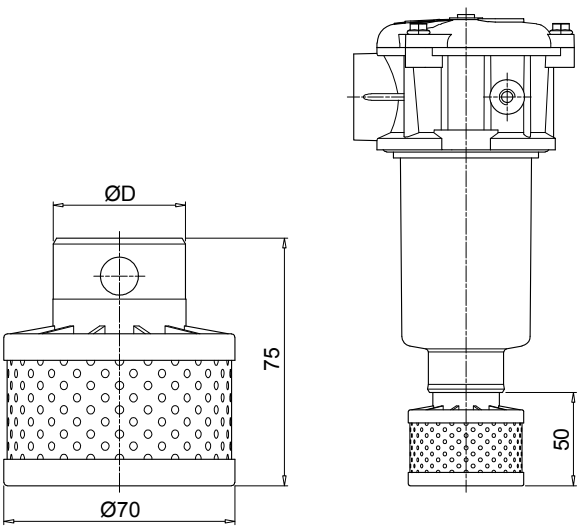
H1

Configuration example: **MPF191** **2** **A** **F1** **A10** **H** **B** **S60**

Length	H1 [mm]
S30	300
S35	350
S40	400
S45	450
S50	500
S60	600
S70	700
S80	800
S90	900

Filter series		Filter size		Filter length	Ø D [mm]		
					52	65	
MPF	191	192	194	2	•	-	
				1	•	-	
	400	410	450	451	2	-	•
					3	-	•
					1	-	•

DIFFUSER WITH FAST LOCK CONNECTION

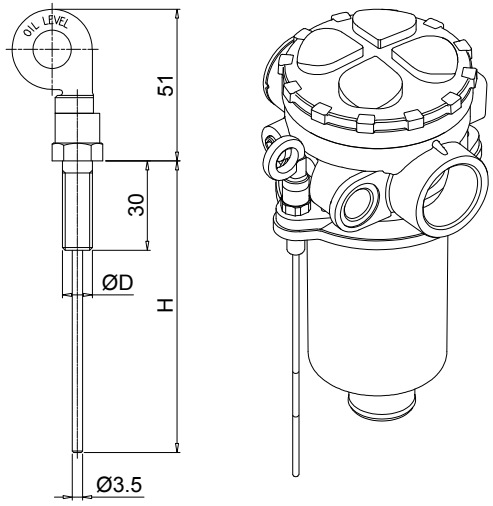


Configuration example: **DFS 32 A 075**

Series		DFS
Size	ø D [mm]	
32	32	
40	40	
Version		A Standard
Length		075 Standard

COMPATIBILITY TABLE								
Filter series	Filter size			Filter Length	DFS32	DFS40		
MPF	100	104	110	1	•	-		
				2	-	-		
				3	-	•		
				4	-	•		
MPFX	100	104	110	1	-	•		
				2	-	•		
				3	-	•		
				4	-	•		
MPT	101	104	110	114	120	1	•	-
						2	-	-
						3	-	•
						4	-	•
MPTX	101	104	110	114	120	1	-	•
						2	-	•
						3	-	•
						4	-	•

DIPSTICK



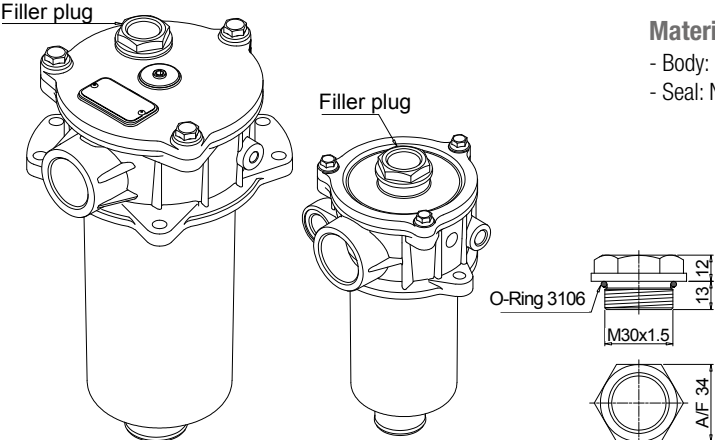
Configuration example: **DPT 20 M10 A P01**

Series		DPT
Length	H [mm]	
15	134	
20	184	
25	234	
30	284	
35	334	
Fastening		
M8	Fastening with screws ø D = M8	
M10	Fastening with screws ø D = M10	
Seals		
A	NBR	
V	FPM	
Execution		
P01	MP Filtri standard	
Pxx	Customized	

Materials
 - Screw: phosphatized steel
 - Stick: phosphatized steel
 - Handle: Polyamide

Technical data
 Working temperature: from -25 °C to +110 °C

FILLER PLUG



Materials
 - Body: Polyamide
 - Seal: NBR

Technical data
 Tightening torque: 15 N·m

O-Ring 3106

For any further information, please, contact our commercial dept.