

# LVK series

Electrical and visual oil level indicator



## Technical data

### Electrical and visual oil level indicators

LVK is a range of electrical and visual fluid level indicators for monitoring of the fluid level into the tank. They are directly fitted on the tank side. The float moves through the indicator housing while the fluid level changes.

A magnet, fitted into the float, turns a reed sensor fixed into the housing.

#### Available features:

- Several male threaded connections
- Three different sizes, to meet every size of tank
- Thermometer, thermostat or PT100, to check the temperature of the fluid

#### Common applications:

- Hydraulic systems
- Mobile machines
- Industrial equipment

#### Electrical symbol:

see page. 118

### Materials

- Head: Polyamide
- Screws: Nickel plated brass (standard), Aisi 314 (optional)
- Seal: NBR (standard), FPM (optional)
- Float: Polyamide
- Sensor thermometer: Screw + thermometer

### Temperature

From -20 °C to + 80 °C

### Weight

LVK 10	0.140 kg
LVK 20	0.170 kg
LVK 30	0.250 kg

### Quantity

25 pcs/pack



## Designation & Ordering code

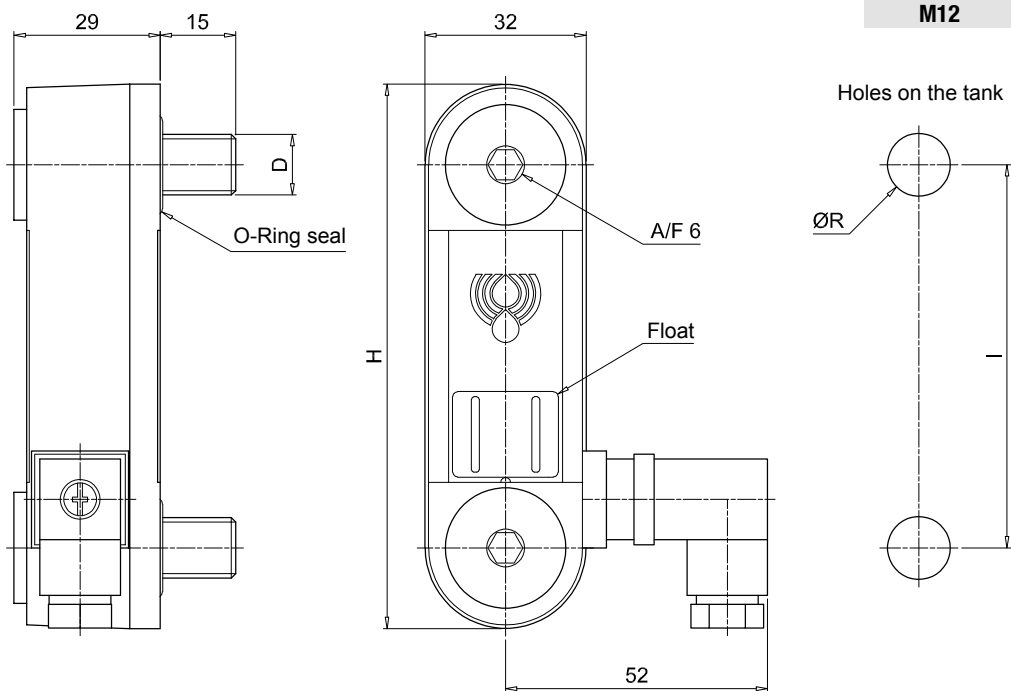
### LVK

Configuration example : LVK 20 A M12 1 T 5 P01

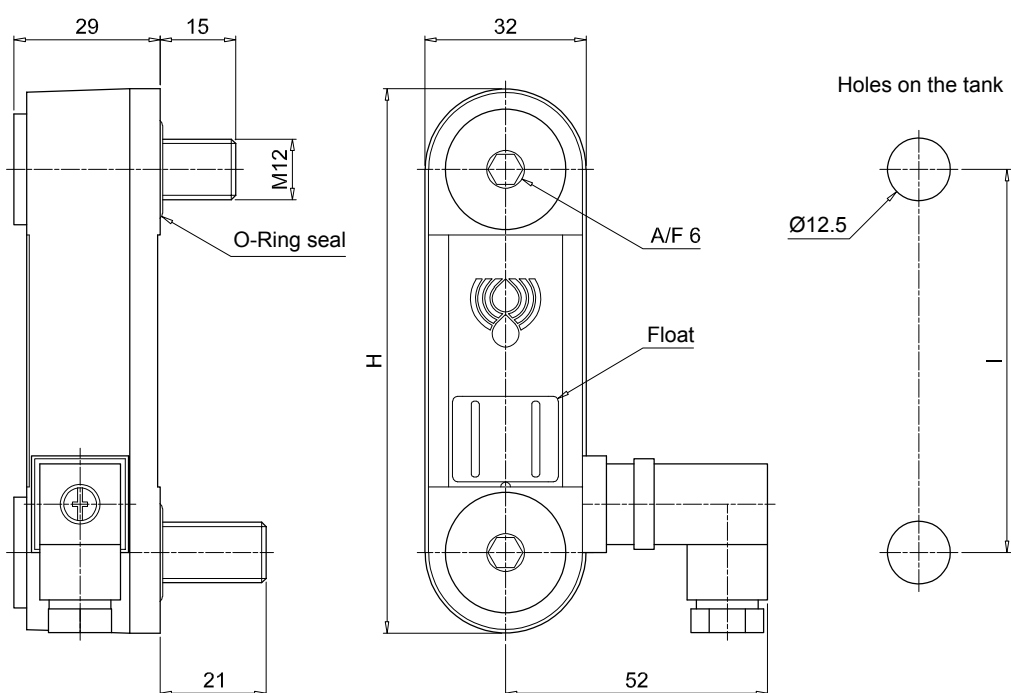
Series	Configuration example : LVK 20 A M12 1 T 5 P01								
<b>LVK</b>									
<b>Length</b>	10   20   30								
<b>Seals</b>	A NBR								
<b>Connections</b>	M10 Screws M10	M12	Screws M12						
<b>Electrical switch in absence of fluid</b>	1 N.O. (Normally Open)								
	2 N.C. (Normally Closed)								
	3 SPDT (single-pole, double throw)								
<b>Version</b>		Connection							
		M10	M12						
<b>S</b> Standard		•	•						
<b>T</b> With thermostat			•						
<b>P</b> With PT100 sensor			•						
<b>Thermostat setting</b>		Version							
		S	T	P					
<b>S</b> Standard (no setting)		•		•					
<b>1</b> 50°C N.O. (Normally Open)			•						
<b>2</b> 60°C N.O. (Normally Open)			•						
<b>3</b> 70°C N.O. (Normally Open)			•						
<b>5</b> 50°C N.C. (Normally Closed)			•						
<b>6</b> 60°C N.C. (Normally Closed)			•						
<b>7</b> 70°C N.C. (Normally Closed)			•						
		<b>Execution</b>							
		<b>P01</b> MP Filtri standard							
		<b>Pxx</b> Customized							

LVK		
Size	H [mm]	I [mm]
<b>10</b>	108	76
<b>20</b>	159	127
<b>30</b>	286	254
Connection	D [mm]	ØR [mm]
<b>M10</b>	M10	10.5
<b>M12</b>	M12	12.5

### Without thermostat



### With thermostat



## Electrical symbols

