



THE **X** CONCEPT FOR OUR FILTERS

Protect the performance of your system with MYclean.
Quality and efficiency are fundamental for MP Filtri:
this exclusive new filter element possesses polygon shape geometry and specific seal
that ensures only original spare parts can be used - ensuring correct operation and
higher system reliability.

MPTX series

with **MYCLEAN** MFX Filter Element



- **Protects the machine from improper use of non-original products.**
- **Safety of constant quality protection & reliability**

With exclusive filter element you are sure that only MP Filtri filter elements can be used, ensuring the best cleaning level of the oil due to the use of originals filter elements.



The products identified as MPTX are protected by:

- Italian Patent n° 102014902261205
- Canadian Patent n° 2,937,258
- European Patent n° 16181725.9
- US Patent n° 15/224,337

TOGETHER WITH **MYCLEAN**, AS OPTION, MPTX SERIES CAN BE PROVIDED WITH

zerospark[®]
THE ANTI-STATIC FILTERS

THE **Z** CONCEPT FOR OUR FILTERS



Zerospark[®] is a specialist solution designed to solve the problem of electrostatic discharge inside hydraulic filters. Caused by the electrical charge build-up due to the passage of oil through the filters, this can result in damage to filter elements, oils and circuit components. It can even cause fire hazards in environments where flammable materials are present.

MPTX series

Maximum working pressure up to 800 kPa (8 bar) - Flow rate up to 300 l/min



Description

Technical data

Return filter

Maximum working pressure up to 800 kPa (8 bar)

Flow rate up to 300 l/min

MPTX is a range of return filters with integrated breather filter, for protection of the reservoir against the system contamination.

They are directly fixed to the reservoir, in immersed or semi-immersed position.

The filter output must be always immersed into the fluid to avoid aeration or foam generation into the reservoir.

Available features:

- Female threaded connections up to 1 1/4", for a maximum flow rate of 300 l/min
- Multiple connections, to connect several return lines or drains
- Fine filtration rating, to get a good cleanliness level into the reservoir
- Bypass valve integrated into the filter element, to relieve excessive pressure drop across the filter media
- 2, 3 or 6 fixing holes for installation, to suit a variety of reservoir surfaces
- O-ring or Flat Seal to suit a variety of reservoir surfaces
- Screw-in cover with a special shape, to allow the filter element replacement without the use of specific tools
- Oil dipstick, to easily check the level of the fluid into the reservoir (sold as separate item)
- Extension tube, to be used in deep reservoirs (sold as separate item)
- Diffuser, to reduce the risk of aeration, foaming and noise (sold as separate item)
- Integrated breather filter, to clean the air that moves into the reservoir as result of the oil level fluctuation
- Integrated breather filter with pressurization valve, to clean the air that moves into the reservoir as result of the oil level fluctuation and to guarantee the pressurization into the reservoir
- Visual, electrical and electronic clogging indicators
- MYclean interface connection, to protect the product against non-original spare parts
- External protective wrap, to optimize the flow through the element and to save the element efficiency against non-proper handling

Common applications:

- Light industrial equipment
- Mobile application

Filter housing materials

- Head: Aluminium
- Cover: Polyamide
- Bowl: Polyamide

Bypass valve

- Opening pressure 175 kPa (1.75 bar) $\pm 10\%$
- Opening pressure 300 kPa (3 bar) $\pm 10\%$

Δp element type

- Microfiber filter elements - series H: 10 bar
- Fluid flow through the filter element from OUT to IN

Seals

- Standard NBR series A
- Optional FPM series V

Temperature

From -25 °C to +110 °C

Note

MPTX filters are provided for vertical mounting

Weights [kg] and volumes [dm³]

Filter series	Weights [kg]					Volumes [dm ³]				
	Length	1	2	3	4	Length	1	2	3	4
MPTX 025		0.41	0.45	0.50	-		0.24	0.35	0.42	-
MPTX 027		0.44	0.48	0.55	-		0.24	0.35	0.42	-
MPTX 110		1.00	1.05	1.15	1.40		0.72	0.93	1.28	1.74
MPTX 114		1.10	1.15	1.25	1.50		0.72	0.93	1.28	1.74
MPTX 116		1.10	1.15	1.25	1.50		0.72	0.93	1.28	1.74
MPTX 120		1.00	1.05	1.15	1.40		0.72	0.93	1.28	1.74

Filter series	Length	Filter element design - H series					Filter element design - N series		
		A03	A06	A10	A16	A25	M25 M60 M90	P10	P25
MPTX 025-027	1	7	10	23	28	42	59	51	54
	2	17	20	45	48	56	72	64	67
	3	21	24	50	55	59	76	74	75
MPTX 110-120 114-116	1	18	20	53	56	65	153	87	96
	2	28	38	65	75	95	158	111	123
	3	48	55	125	135	169	289	224	251
	4	79	89	180	185	198	306	264	289

Maximum flow rate for a complete return filter with a pressure drop $\Delta p = 0.5$ bar.

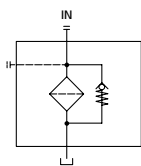
The reference fluid has a kinematic viscosity of 30 mm²/s (cSt) and a density of 0.86 kg/dm³.

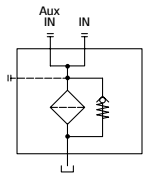
For different pressure drop or fluid viscosity we recommend to use our selection software available on www.mpfiltri.com.

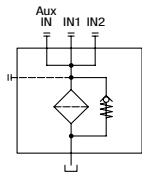
You can also calculate the right size using the formulas present on the FILTER SIZING paragraph at the beginning of the full catalogue or at the beginning of the filter family brochure. Please, contact our Sales Department for further additional information.

Hydraulic symbols

Filter series	Style 1 connection	Style 2 connections	Style 3 connections
MPTX 025	•	-	-
MPTX 027	•	-	-
MPTX 110	-	•	-
MPTX 114	•	-	-
MPTX 116	•	-	-
MPTX 120	-	-	•



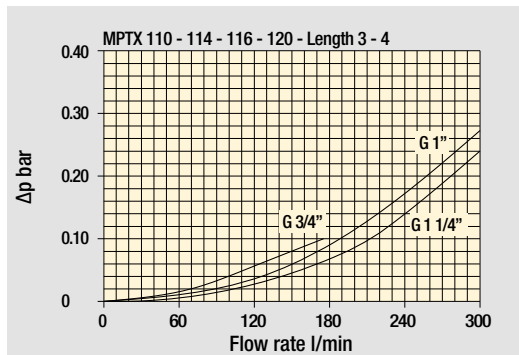
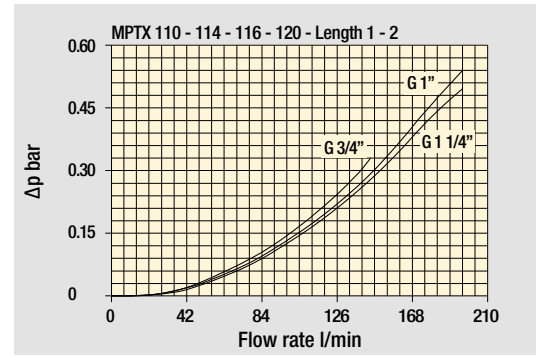
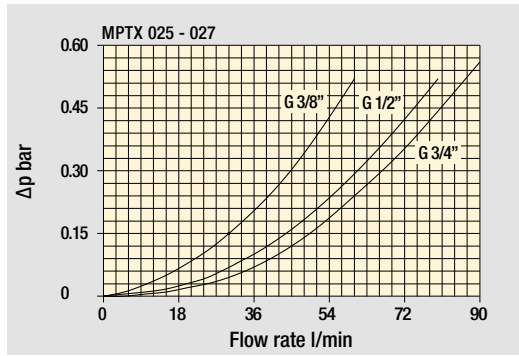




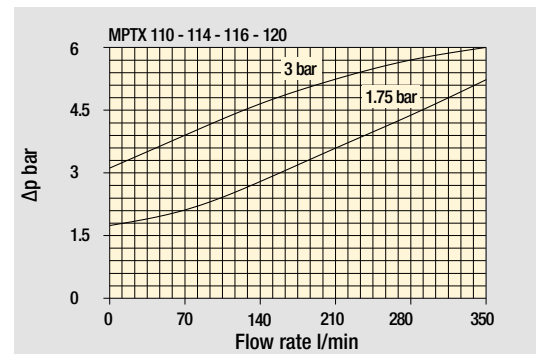
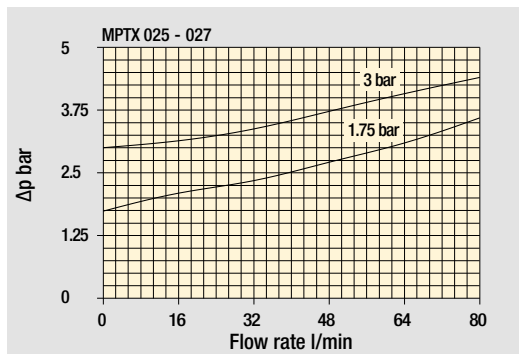
MPTX GENERAL INFORMATION

Pressure drop

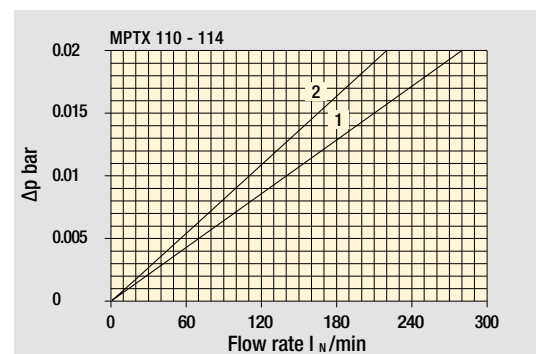
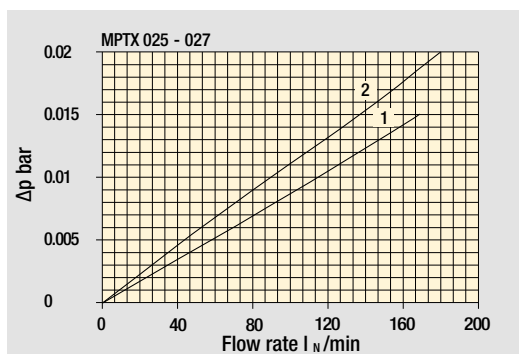
Filter housings Δp pressure drop



Bypass valve pressure drop



Air breather pressure drop







- 1 C With air breather 10 μm
- 2 D With anti-splash and SAP50 10 μm

The curves are plotted using mineral oil with density of 0.86 kg/dm³ in compliance with ISO 3968. Δp varies proportionally with density.

MPTX 025 -027		
Air breather port plugged Indicator port	Air breather standard Indicator port	Anti-splash air breather & pressurized Double indicator port
		

Multiport - Multifunction

MPTX 110	
Standard - Single IN Port	Double IN Port - Double indicator port
	
Double IN Port Option: double drain port	Double IN Port - Indicator port Option: drain port
	

MPTX 120
Triple IN port

Option: double drain port



MPTX MPTX025 - MPTX027

Designation & Ordering code

COMPLETE FILTER

Series and size	Configuration example 1: MPTX025	1	S	A	G3	A10	E	P01
MPTX025 MPTX027 Filter featuring MYCLEAN Filter Element	Configuration example 2: MPTX027	3	C	W	G6	A03	B	P01
Length								
1 2 3								
Air breather								
S Without air breather								
C With air breather 10 µm								
D With anti-splash and air breather SAP050 10 µm								
P With anti-splash and air breather SAP050 10 µm, pressurization 0.5 bar								
Seals and treatments	Filtration rating							
	Axx	Mxx	Pxx					
A NBR	•	•	•					
V FPM	•	•	•					
W NBR head anodized	•	•	-	filter element compatible with fluids HFA-HFB-HFC				
Z FPM head anodized	•	•	-					
Connections								
G1 G 3/8"	G6 3/4" NPT							
G2 G 1/2"	G7 SAE 6 - 9/16" - 18 UNF							
G3 G 3/4"	G8 SAE 8 - 3/4" - 16 UNF							
G4 3/8" NPT	G9 SAE 12 - 1 1/16" - 12 UN							
G5 1/2" NPT								
Filtration rating (filter media)								
A03 Inorganic microfiber 3 µm	M25 Wire mesh 25 µm							
A06 Inorganic microfiber 6 µm	M60 Wire mesh 60 µm							
A10 Inorganic microfiber 10 µm	M90 Wire mesh 90 µm							
A16 Inorganic microfiber 16 µm	P10 Resin impregnated paper 10 µm							
A25 Inorganic microfiber 25 µm	P25 Resin impregnated paper 25 µm							

All filter media except M60, P10 and P25 are compatible with fluids HFA, HFB and HFC

Bypass valve	Executions		
E 3 bar	Base	zereospark+	
B 1.75 bar	P01	Z01	MP Filtri standard
	Pxx	Zxx	Customized

FILTER ELEMENT

Element series and size	Configuration example 2: MFx020	1	A10	H	B	E	P01
MFx020 Filter Element with MYCLEAN feature	Configuration example 1: MFx020	3	A03	N	B		P01
Element length							
1 2 3							
Filtration rating (filter media)							
A03 Inorganic microfiber 3 µm	M25 Wire mesh 25 µm						
A06 Inorganic microfiber 6 µm	M60 Wire mesh 60 µm						
A10 Inorganic microfiber 10 µm	M90 Wire mesh 90 µm						
A16 Inorganic microfiber 16 µm	P10 Resin impregnated paper 10 µm						
A25 Inorganic microfiber 25 µm	P25 Resin impregnated paper 25 µm						
Element Δp	Filter media						
	Axx	Mxx	Pxx				
N 10 bar	-	•	•				
H 10 bar	•	-	-				
Seals	Bypass valve	Executions					
B NBR	E 3 bar	Base	zereospark+				
V FPM	- 1.75 bar	P01	Z01	MP Filtri standard			
		Pxx	Zxx	Customized			

CLOGGING INDICATORS

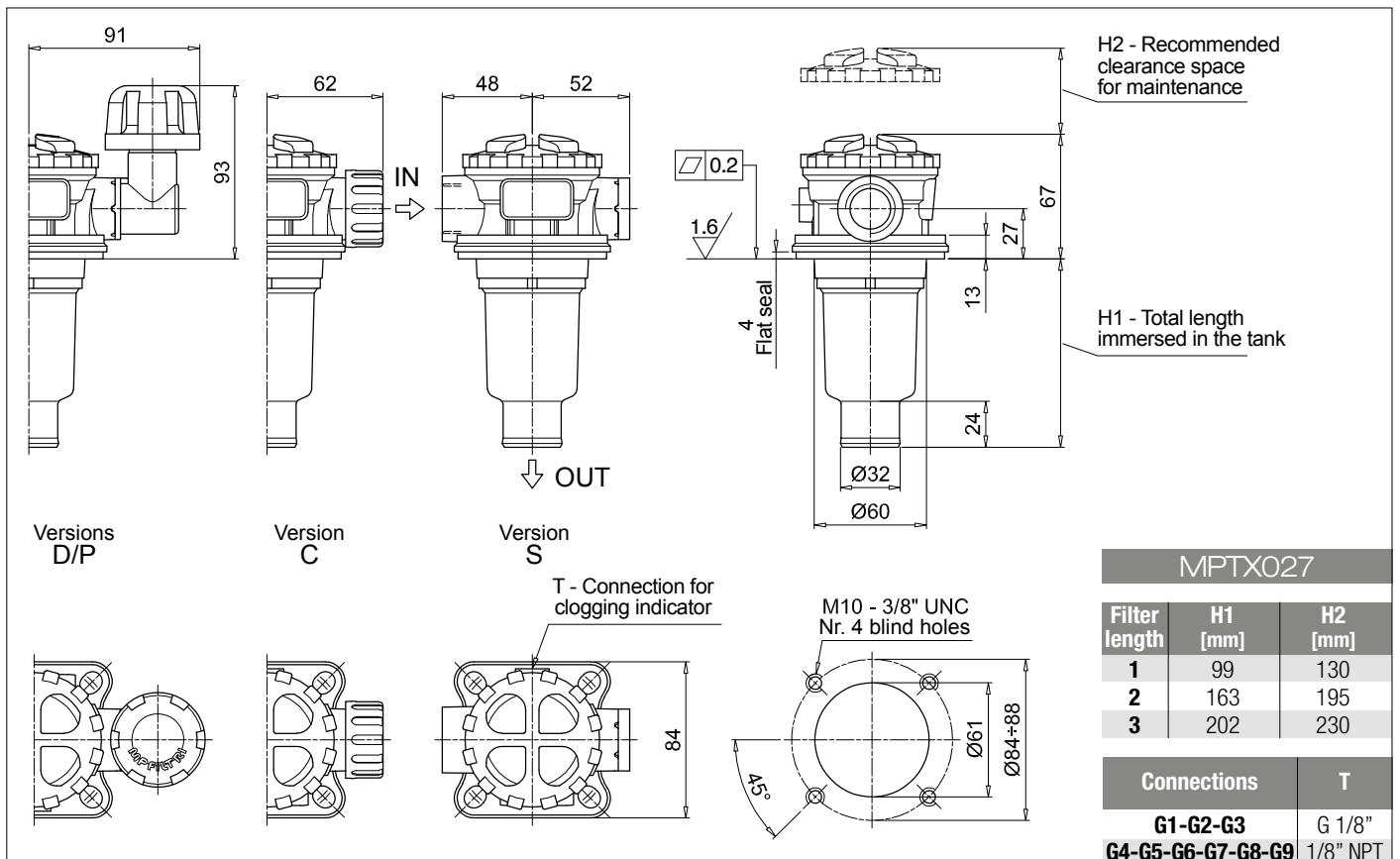
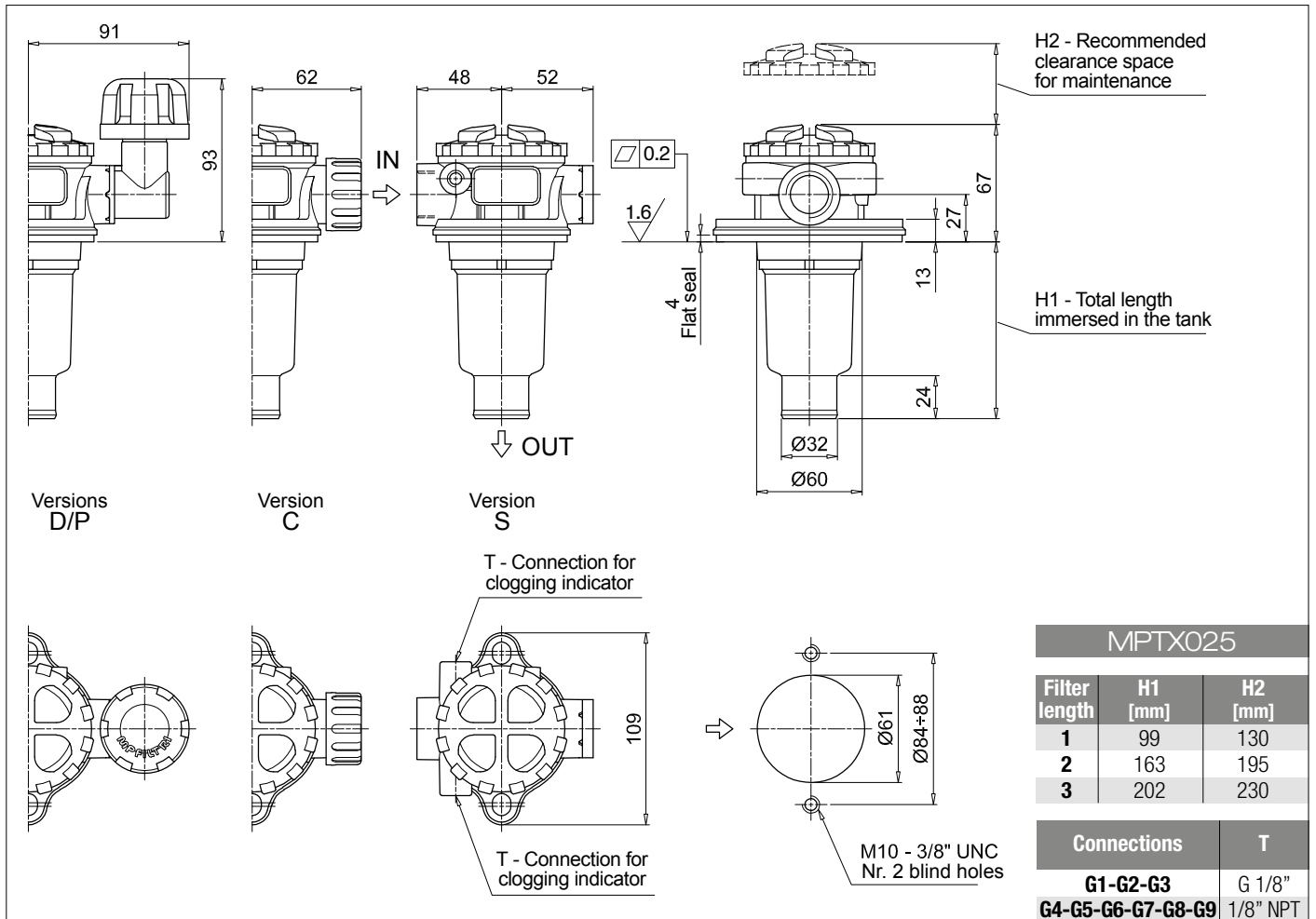
See page 680-681

BVA Axial pressure gauge	BEA Electrical pressure indicator
BVR Radial pressure gauge	BEM Electrical pressure indicator
BVP Visual pressure indicator with automatic reset	BLA Electrical / visual pressure indicator
BVQ Visual pressure indicator with manual reset	

ADDITIONAL FEATURES

See page 262

TE Extension tube
DPT Dipstick



Designation & Ordering code

COMPLETE FILTER

Series and size		Configuration example 1: MPTX110 1 S A G1 0 A06 E P01									
MPTX110 Filter featuring MYCLEAN Filter Element		Configuration example 2: MPTX110 3 P V G4 1 M25 B P01									
Length		1 2 3 4									
Air breather		S Without air breather C With air breather 10 µm D With anti-splash and air breather SAP050 10 µm P With anti-splash and air breather SAP050 10 µm, pressurization 0.5 bar									
Seals and treatments		Filtration rating									
		Axx	Mxx	Pxx							
A NBR		•	•	•							
V FPM		•	•	•							
W NBR head anodized		•	•	-	filter element compatible with fluids HFA-HFB-HFC						
Z FPM head anodized		•	•	-							
Main Connections		Aux size 1		Aux size 2		Main Connections		Aux size 1		Aux size 2	
G1 G 3/4"		G 3/8"		G 1/2"		G6 1 1/4" NPT		3/8" NPT		1/2" NPT	
G2 G 1"						G7 SAE 12 - 1 1/16" - 12 UN		SAE 6 - 9/16" - 18 UNF		SAE 8 - 3/4" - 16 UNF	
G3 G 1 1/4"		3/8" NPT		1/2" NPT		G8 SAE 16 - 1 5/16" - 12 UN		SAE 6 - 9/16" - 18 UNF		SAE 8 - 3/4" - 16 UNF	
G4 3/4" NPT						G9 SAE 20 - 1 5/8" - 12 UN					
G5 1" NPT											
Aux connection - see previous table											
0 Not machined 1 Aux size 1 2 Aux size 2											
Filtration rating (filter media)											
A03 Inorganic microfiber 3 µm			M25 Wire mesh 25 µm								
A06 Inorganic microfiber 6 µm			M60 Wire mesh 60 µm								
A10 Inorganic microfiber 10 µm			M90 Wire mesh 90 µm								
A16 Inorganic microfiber 16 µm			P10 Resin impregnated paper 10 µm								
A25 Inorganic microfiber 25 µm			P25 Resin impregnated paper 25 µm								

All filter media except M60, P10 and P25 are compatible with fluids HFA, HFB and HFC

Bypass valve		Executions			
E 3 bar	B 1.75 bar	Base	zérospark®	P01	Z01
					MP Filtri standard
		Pxx	Zxx		Customized

FILTER ELEMENT

Element series and size		Configuration example 1: MFX100 1 A06 H B E P01									
MFX100 Filter Element with MYCLEAN feature		Configuration example 2: MFX100 3 M25 N V P01									
Element length		1 2 3 4									
Filtration rating (filter media)		A03 Inorganic microfiber 3 µm M25 Wire mesh 25 µm A06 Inorganic microfiber 6 µm M60 Wire mesh 60 µm A10 Inorganic microfiber 10 µm M90 Wire mesh 90 µm A16 Inorganic microfiber 16 µm P10 Resin impregnated paper 10 µm A25 Inorganic microfiber 25 µm P25 Resin impregnated paper 25 µm									
Element Δp		Filter media									
		Axx	Mxx	Pxx							
N 10 bar		-	•	•							
H 10 bar		•	-	-							
Seals		Bypass valve		Executions							
B NBR		E 3 bar		Base	zérospark®	P01	Z01	MP Filtri standard			
V FPM		- 1.75 bar		Pxx	Zxx	Customized					

CLOGGING INDICATORS

See page 680-681

BVA Axial pressure gauge	BEA Electrical pressure indicator
BVR Radial pressure gauge	BEM Electrical pressure indicator
BVP Visual pressure indicator with automatic reset	BLA Electrical / visual pressure indicator
BVQ Visual pressure indicator with manual reset	

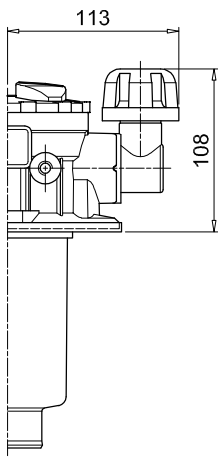
ADDITIONAL FEATURES

See page 262

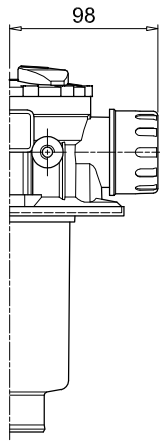
TE Extension tube	DPT Dipstick
DFS Diffuser with fast lock connection	

MPTX110		
Filter length	H1 [mm]	H2 [mm]
1	99	120
2	144	170
3	222	250
4	324	350

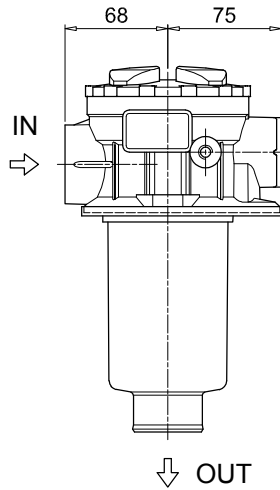
Connections	T
G1-G2-G3	G 1/8"
G4-G5-G6-G7-G8-G9	1/8" NPT



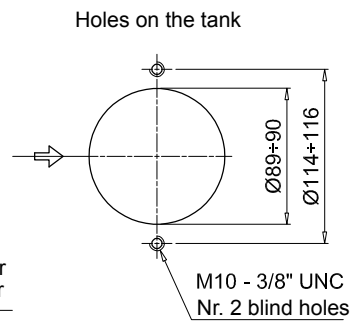
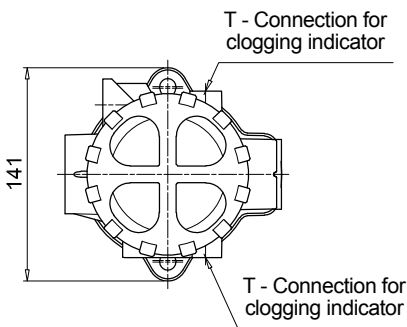
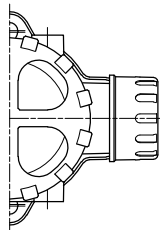
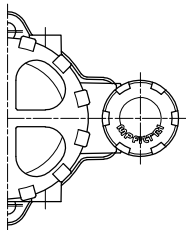
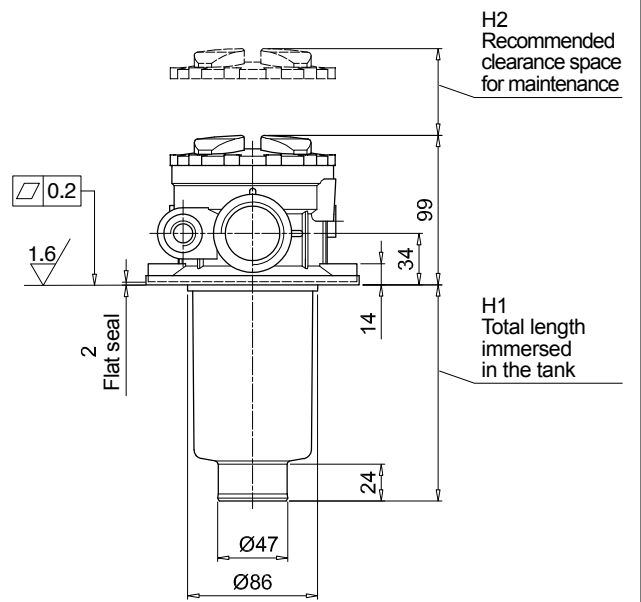
Versions D/P



Version C



Version S



Designation & Ordering code

COMPLETE FILTER

Series and size	Configuration example 1: MPTX114	4	S	A	G3	A10	E	P01	
MPTX114 Filter featuring MYCLEAN Filter Element	Configuration example 2: MPTX114	3	C	W	G6	A03	B	P01	
Length									
1 2 3 4									
Air breather									
S Without air breather									
C With air breather 10 µm									
D With anti-splash and air breather SAP050 10 µm									
P With anti-splash and air breather SAP050 10 µm pressurization 0.5 bar									
Seals and treatments	Filtration rating								
A NBR	Axx	Mxx	Pxx						
V FPM	•	•	•						
W NBR head anodized	•	•	-						
Z FPM head anodized	•	•	-						
	filter element compatible with fluids HFA-HFB-HFC								
Connections									
G1 G 3/4"	G6 1 1/4" NPT								
G2 G 1"	G7 SAE 12 - 1 1/16" - 12 UN								
G3 G 1 1/4"	G8 SAE 16 - 1 5/16" - 12 UN								
G4 3/4" NPT	G9 SAE 20 - 1 5/8" - 12 UN								
G5 1" NPT									
Filtration rating (filter media)									
A03 Inorganic microfiber 3 µm	M25 Wire mesh 25 µm								
A06 Inorganic microfiber 6 µm	M60 Wire mesh 60 µm								
A10 Inorganic microfiber 10 µm	M90 Wire mesh 90 µm								
A16 Inorganic microfiber 16 µm	P10 Resin impregnated paper 10 µm								
A25 Inorganic microfiber 25 µm	P25 Resin impregnated paper 25 µm								
All filter media except M60, P10 and P25 are compatible with fluids HFA, HFB and HFC									
			Bypass valve		Executions				
			E 3 bar		Base	zerospark⁺			
			B 1.75 bar		P01	Z01	MP Filtri standard		
					Pxx	Zxx	Customized		

FILTER ELEMENT

Element series and size	Configuration example 2: MFX100	4	A10	H	B	E	P01		
MFX100 Filter Element with MYCLEAN feature	Configuration example 1: MFX100	3	A03	N	B		P01		
Element length									
1 2 3 4									
Filtration rating (filter media)									
A03 Inorganic microfiber 3 µm	M25 Wire mesh 25 µm								
A06 Inorganic microfiber 6 µm	M60 Wire mesh 60 µm								
A10 Inorganic microfiber 10 µm	M90 Wire mesh 90 µm								
A16 Inorganic microfiber 16 µm	P10 Resin impregnated paper 10 µm								
A25 Inorganic microfiber 25 µm	P25 Resin impregnated paper 25 µm								
Element Δp	Filter media								
N 10 bar	Axx	Mxx	Pxx						
H 10 bar	•	-	-						
			Seals		Bypass valve			Executions	
			B NBR		E 3 bar		Base	zerospark⁺	
			V FPM		- 1.75 bar		P01	Z01	MP Filtri standard
							Pxx	Zxx	Customized

CLOGGING INDICATORS

See page 680-681

BVA Axial pressure gauge	BEA Electrical pressure indicator
BVR Radial pressure gauge	BEM Electrical pressure indicator
BVP Visual pressure indicator with automatic reset	BLA Electrical / visual pressure indicator
BVQ Visual pressure indicator with manual reset	

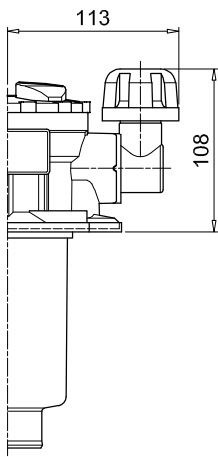
ADDITIONAL FEATURES

See page 262

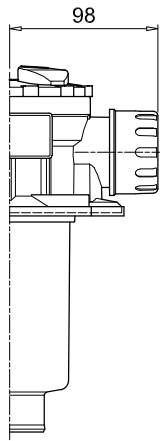
TE Extension tube	DPT Dipstick
DFS Diffuser with fast lock connection	

MPTX114		
Filter length	H1 [mm]	H2 [mm]
1	99	120
2	144	170
3	222	250
4	324	350

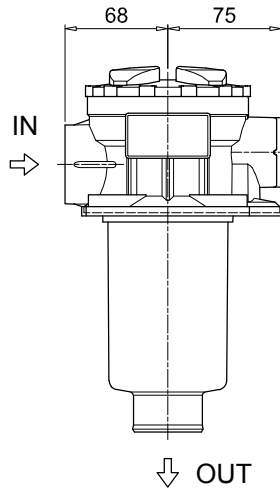
Connections	T
G1-G2-G3	G 1/8"
G4-G5-G6-G7-G8-G9	1/8" NPT



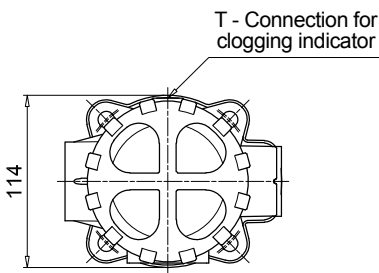
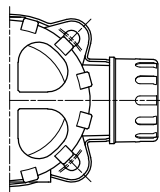
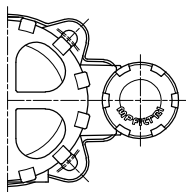
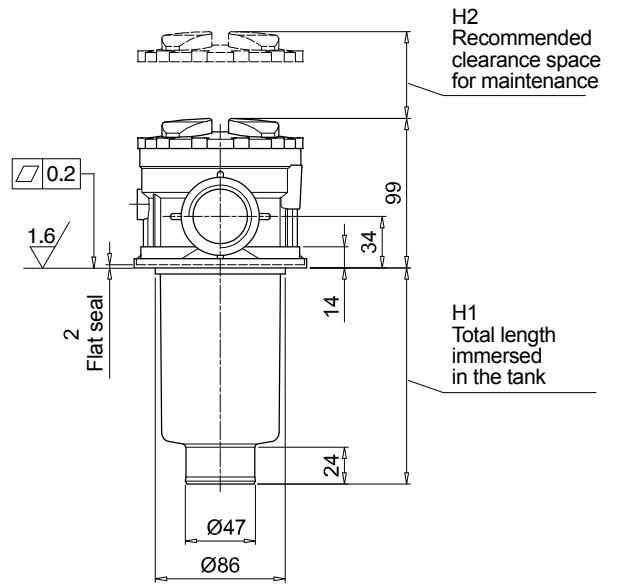
Versions D/P



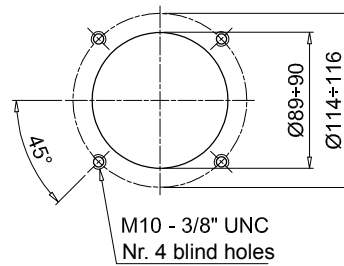
Version C



Version S



Holes on the tank



M10 - 3/8" UNC
Nr. 4 blind holes

MPTX MPTX116

Designation & Ordering code

COMPLETE FILTER

Series and size	Configuration example 1: MPTX116 1 S A G1 M90 E P01								
MPTX116 Filter featuring MY CLEAN Filter Element	Configuration example 2: MPTX116 2 S Z G9 A03 B P01								
Length	1 2 3 4								
Air breather	S Without air breather								
Seals and treatments	Filtration rating								
	Axx	Mxx	Pxx						
A NBR	•	•	•						
V FPM	•	•	•						
W NBR head anodized	•	•	-	filter element compatible with fluids HFA-HFB-HFC					
Z FPM head anodized	•	•	-						
Flat seal on the head on request									
Connections									
G1 G 3/4"	G6 1 1/4" NPT								
G2 G 1"	G7 SAE 12 - 1 1/16" - 12 UN								
G3 G 1 1/4"	G8 SAE 16 - 1 5/16" - 12 UN								
G4 3/4" NPT	G9 SAE 20 - 1 5/8" - 12 UN								
G5 1" NPT									
Filtration rating (filter media)									
A03 Inorganic microfiber 3 µm	M25 Wire mesh 25 µm								
A06 Inorganic microfiber 6 µm	M60 Wire mesh 60 µm								
A10 Inorganic microfiber 10 µm	M90 Wire mesh 90 µm								
A16 Inorganic microfiber 16 µm	P10 Resin impregnated paper 10 µm								
A25 Inorganic microfiber 25 µm	P25 Resin impregnated paper 25 µm								
All filter media except M60, P10 and P25 are compatible with fluids HFA, HFB and HFC									
			Executions						
			Base zerospark*						
Bypass valve			P01 Z01 MP Filtri standard						
E 3 bar			Pxx Zxx Customized						
B 1.75 bar									

FILTER ELEMENT

Element series and size	Configuration example 2: MFx100 1 M90 N B E P01								
MFx100 Filter Element with MY CLEAN feature	Configuration example 1: MFx100 2 A03 H V P01								
Element length	1 2 3 4								
Filtration rating (filter media)									
A03 Inorganic microfiber 3 µm	M25 Wire mesh 25 µm								
A06 Inorganic microfiber 6 µm	M60 Wire mesh 60 µm								
A10 Inorganic microfiber 10 µm	M90 Wire mesh 90 µm								
A16 Inorganic microfiber 16 µm	P10 Resin impregnated paper 10 µm								
A25 Inorganic microfiber 25 µm	P25 Resin impregnated paper 25 µm								
			Executions						
			Base zerospark*						
Seals			P01 Z01 MP Filtri standard						
B NBR			Pxx Zxx Customized						
V FPM									
Bypass valve									
E 3 bar									
- 1.75 bar									

CLOGGING INDICATORS

See page 680-681

BVA Axial pressure gauge	BEA Electrical pressure indicator
BVR Radial pressure gauge	BEM Electrical pressure indicator
BVP Visual pressure indicator with automatic reset	BLA Electrical / visual pressure indicator
BVQ Visual pressure indicator with manual reset	

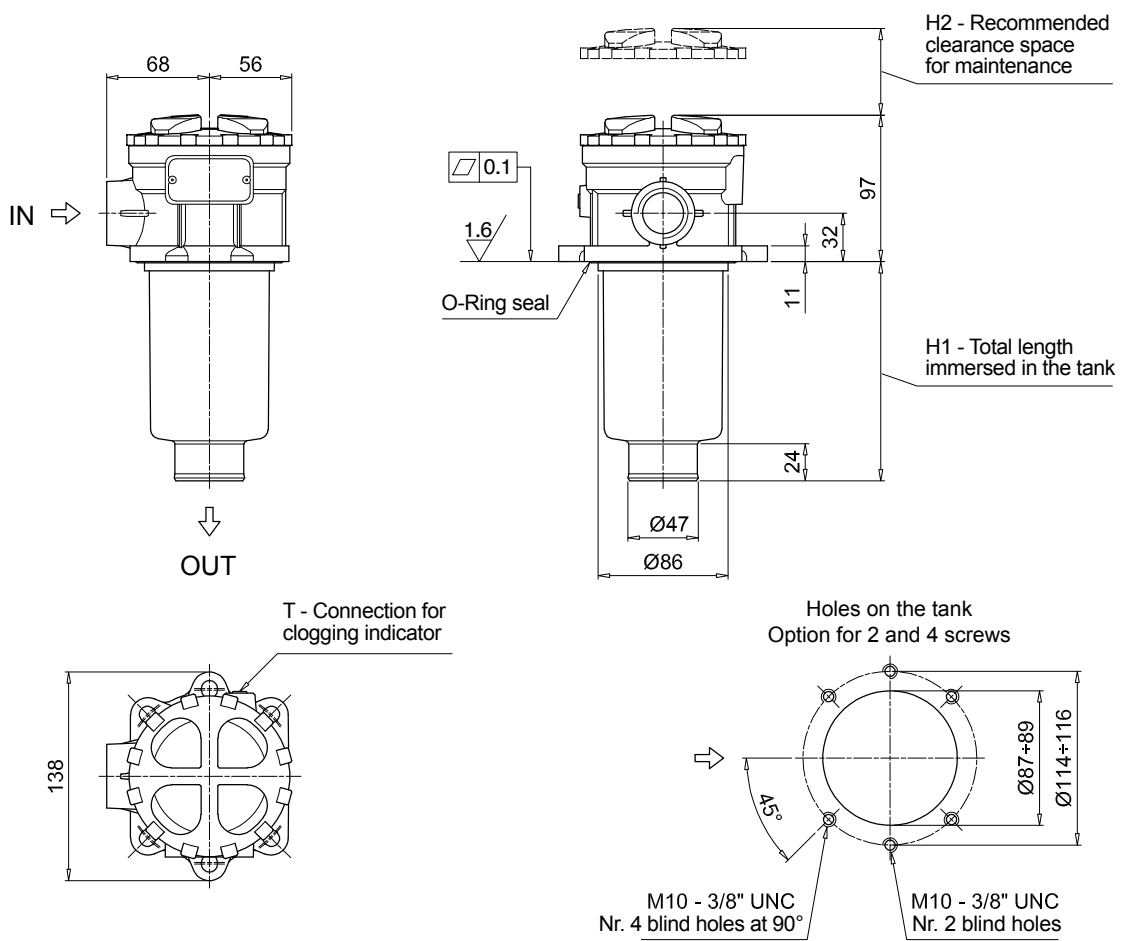
ADDITIONAL FEATURES

See page 262

TE Extension tube	DPT Dipstick
DFS Diffuser with fast lock connection	

MPTX116		
Filter length	H1 [mm]	H2 [mm]
1	99	120
2	146	170
3	224	250
4	326	350

Connections	T
G1-G2-G3	G 1/8"
G4-G5-G6-G7-G8-G9	1/8" NPT



Designation & Ordering code

COMPLETE FILTER

Series and size
MPTX120 Filter featuring **MY CLEAN** Filter Element

Configuration example 1: **MPTX120** | **1** | **A** | **G1** | **0** | **A06** | **E** | **P01**
 Configuration example 2: **MPTX120** | **3** | **V** | **G4** | **1** | **M25** | **B** | **P01**

Length
1 | **2** | **3** | **4**

Seals and treatments	Filtration rating		
	Axx	Mxx	Pxx
A NBR	•	•	•
V FPM	•	•	•
W NBR head anodized	•	•	-
Z FPM head anodized	•	•	-

filter element compatible with fluids HFA-HFB-HFC

Main Connections	Rear connections	Aux size 1	Aux size 2
G1 G 3/4"	G 3/4"	G 3/8"	G 1/2"
G2 G 1"	G 1"		
G3 G 1 1/4"	G 3/4"	3/8" NPT	1/2" NPT
G4 3/4" NPT	3/4" NPT		
G5 1" NPT	1" NPT	SAE 6 - 9/16" - 18 UNF	SAE 8 - 3/4" - 16 UNF
G6 1 1/4" NPT	3/4" NPT		
G7 SAE 12 - 1 1/16" - 12 UN	SAE 12 - 1 1/16" - 12 UN		
G8 SAE 16 - 1 5/16" - 12 UN	SAE 16 - 1 5/16" - 12 UN		
G9 SAE 20 - 1 5/8" - 12 UN	SAE 12 - 1 1/16" - 12 UN		

Aux connection - see previous table
0 Not machined | **1** Aux size 1 | **2** Aux size 2

Filtration rating (filter media)	
A03 Inorganic microfiber 3 µm	M25 Wire mesh 25 µm
A06 Inorganic microfiber 6 µm	M60 Wire mesh 60 µm
A10 Inorganic microfiber 10 µm	M90 Wire mesh 90 µm
A16 Inorganic microfiber 16 µm	P10 Resin impregnated paper 10 µm
A25 Inorganic microfiber 25 µm	P25 Resin impregnated paper 25 µm

All filter media except M60, P10 and P25 are compatible with fluids HFA, HFB and HFC

Bypass valve			Executions		
E 3 bar	P01	Z01	MP Filtri standard		
B 1.75 bar	Pxx	Zxx	Customized		

FILTER ELEMENT

Element series and size
MFx100 Filter Element with **MY CLEAN** feature

Configuration example 1: **MFx100** | **1** | **A06** | **H** | **B** | **E** | **P01**
 Configuration example 2: **MFx100** | **3** | **M25** | **N** | **V** | **P01**

Element length
1 | **2** | **3** | **4**

Element Δp	Filter media		
	Axx	Mxx	Pxx
N 10 bar	-	•	•
H 10 bar	•	-	-

Seals		Bypass valve		Executions		
B NBR	E 3 bar	P01	Z01	MP Filtri standard		
V FPM	- 1.75 bar	Pxx	Zxx	Customized		

CLOGGING INDICATORS

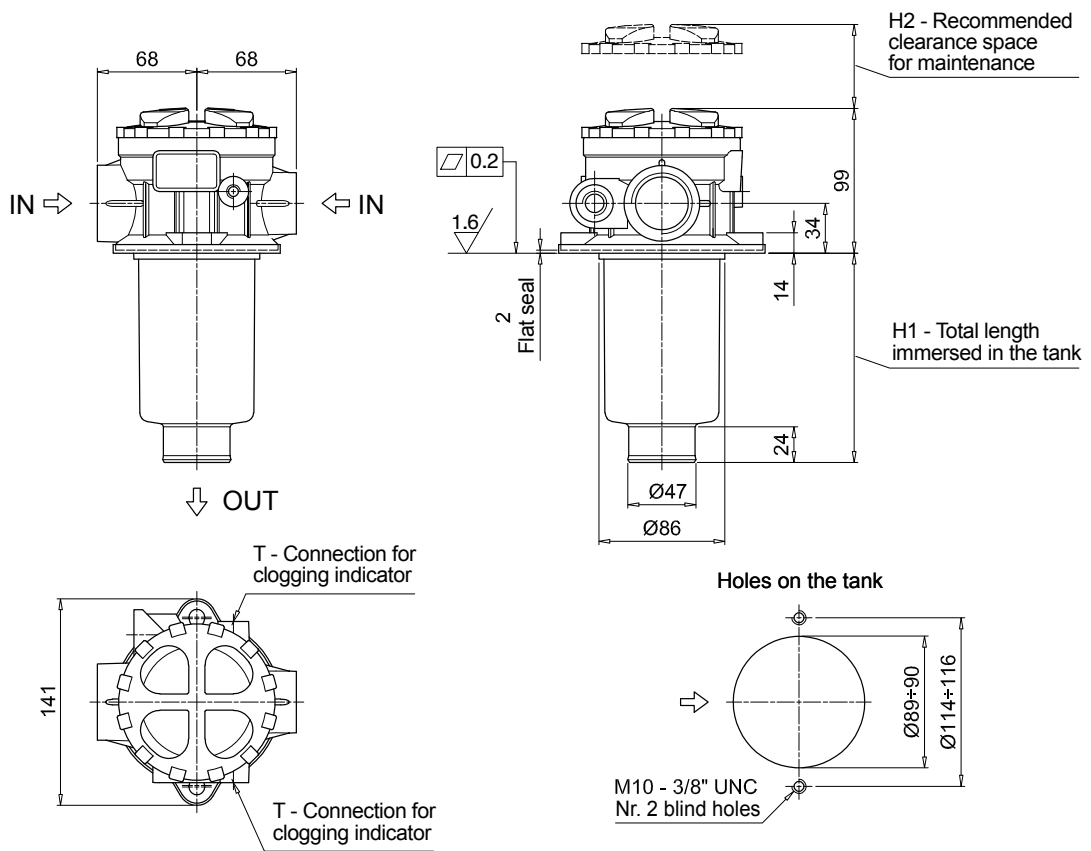
BVA Axial pressure gauge	BEA Electrical pressure indicator
BVR Radial pressure gauge	BEM Electrical pressure indicator
BVP Visual pressure indicator with automatic reset	BLA Electrical / visual pressure indicator
BVQ Visual pressure indicator with manual reset	

ADDITIONAL FEATURES

TE Extension tube	DPT Dipstick
DFS Diffuser with fast lock connection	

MPTX120		
Filter length	H1 [mm]	H2 [mm]
1	99	120
2	144	170
3	222	250
4	324	350

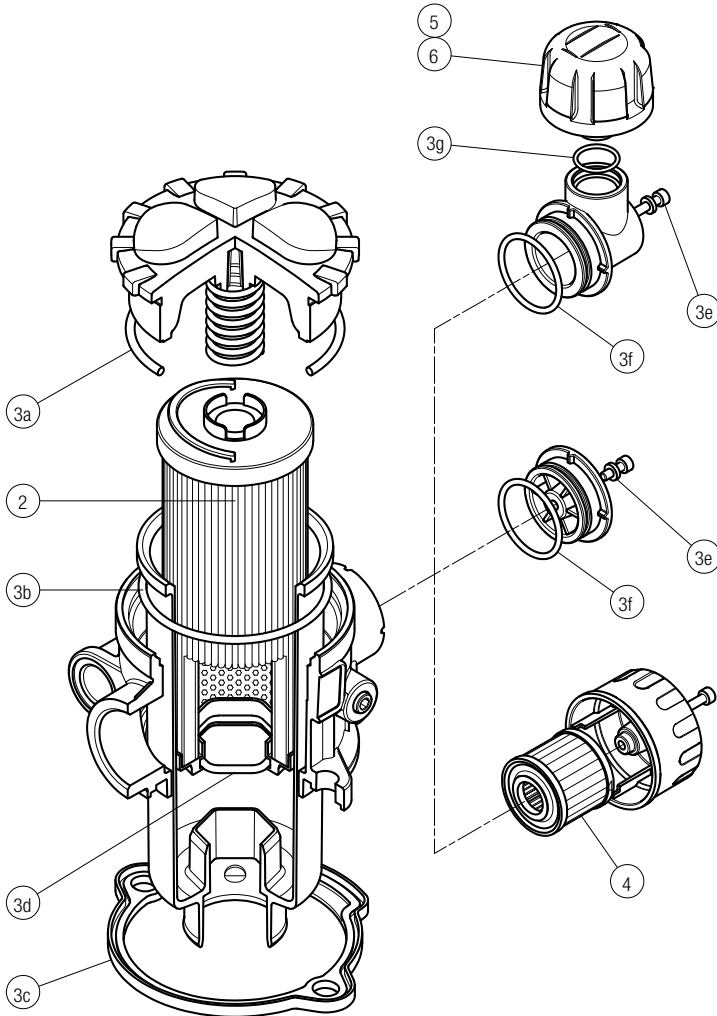
Connections	T
G1-G2-G3	G 1/8"
G4-G5-G6-G7-G8-G9	1/8" NPT



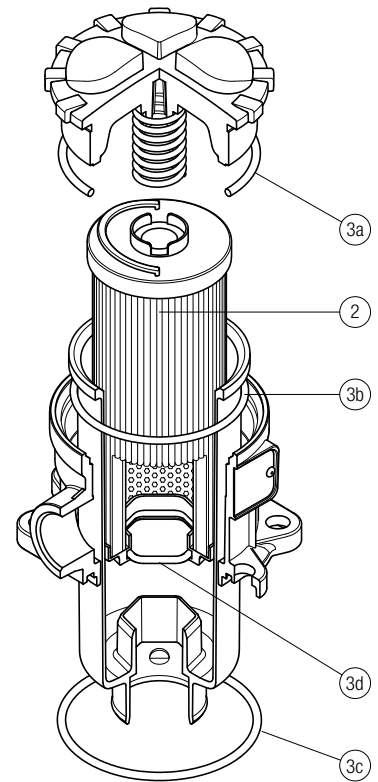
MPTX SPARE PARTS

Order number for spare parts

MPTX 025 - 027 - 110



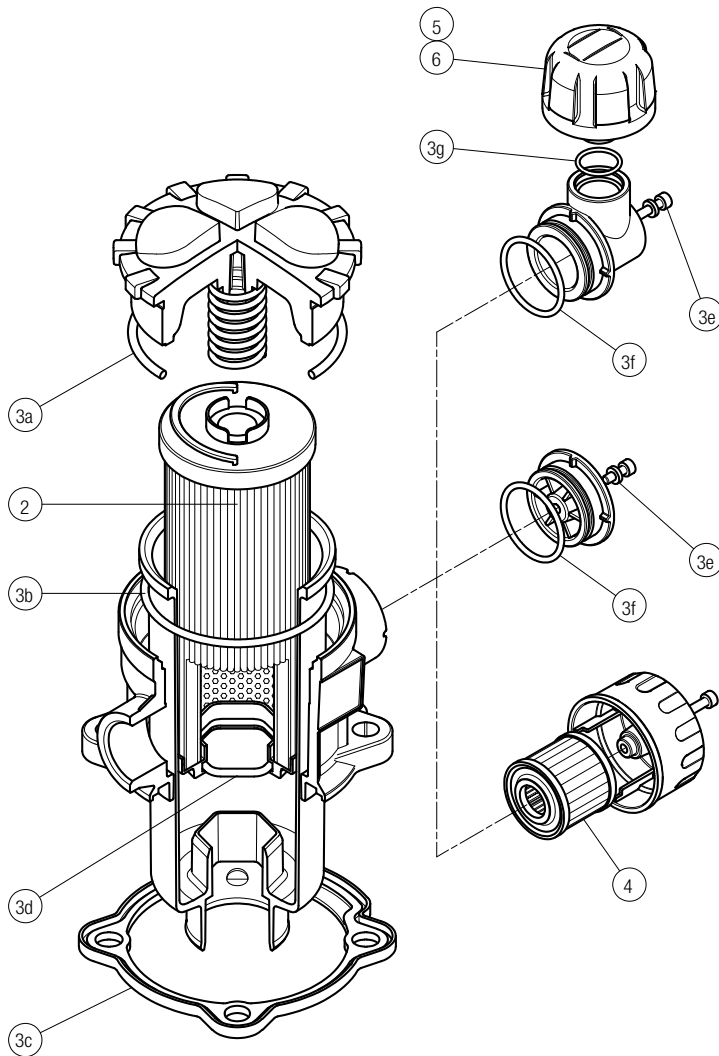
MPTX 116



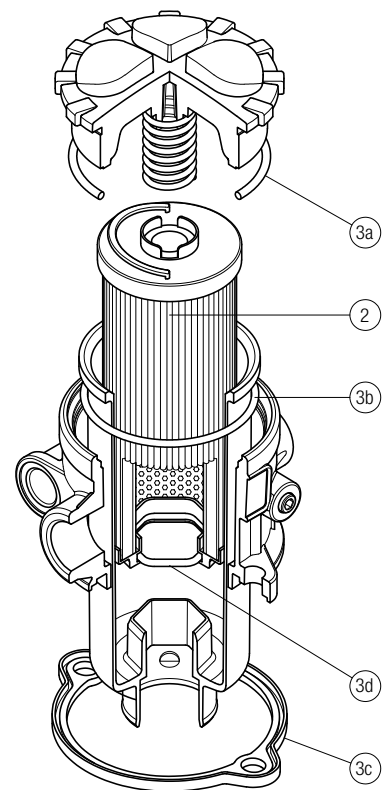
Item:	Q.ty: 1 pc.	Q.ty: 1 pc.	Q.ty: 1 pc.	Q.ty: 1 pc.	Q.ty: 1 pc.	
Filter series	Filter element	Seal Kit code number NBR	FPM	Air breather filter element - version:		
				C	D	P
MPTX 025	See order table	02050701	02050702	10 µm A3L03	10 µm SAP50G3L03A0P01	10 µm SAP50G3L03A1P01
MPTX 027		02050703	02050704	10 µm A3L03	10 µm SAP50G3L03A0P01	10 µm SAP50G3L03A1P01
MPTX 110		02050709	02050710	10 µm A5L03	10 µm SAP50G3L03A0P01	10 µm SAP50G3L03A1P01

Item:	Q.ty: 1 pc.	Q.ty: 1 pc.	
Filter series	Filter element	Seal Kit code number NBR	FPM
MPTX 116	See order table	02050737	02050738

MPTX 114



MPTX 120



Item:	Q.ty: 1 pc.	Q.ty: 1 pc.	Q.ty: 1 pc.	Q.ty: 1 pc.	Q.ty: 1 pc.	
Filter series	Filter element	Seal Kit code number		Air breather filter element - version:		
		NBR	FPM	C	D	P
MPTX 114	See order table	02050707	02050708	10 µm A5L03	10 µm SAP50G3L03A0P01	10 µm SAP50G3L03A1P01

Item:	Q.ty: 1 pc.	Q.ty: 1 pc.	
Filter series	Filter element	Seal Kit code number	
		NBR	FPM
MPTX 120	See order table	02050711	02050712

Accessories

POLYAMIDE EXTENSION TUBE

H1 - Total length immersed in the tank

Configuration example: **TE** **40** **A** **250**

Series	Size	Material	Length	H [mm]
TE			200	200
			250	250
			300	300
			350	350
			400	400
			450	450
			500	500

Size	Ø D [mm]	Material
25	25	A Polyamide
32	32	
40	40	

COMPATIBILITY TABLE															
Filter series		Filter size		Filter length	Tube length										
					TE25	TE32	TE40	200	250	300	350	400	450	500	
MPF - MPFX		30		1	•	-	-	266	316	366	416	466	516	566	
MPF	100	104	110	1	-	•	-	275	325	375	425	475	525	575	
				2	-	-	-	322	372	422	472	522	572	622	
				3	-	-	•	400	450	500	550	600	650	700	
				4	-	-	-	502	552	602	652	702	752	802	
MPFX	100	104	110	1	-	-	•	277	327	377	427	477	527	577	
				2	-	-	•	322	372	422	472	522	572	622	
				3	-	-	-	400	450	500	550	600	650	700	
				4	-	-	-	502	552	602	652	702	752	802	
MPF MPFX	181	182	184	1	-	-	•	410	460	510	560	610	660	710	
				2	-	-	-	623	673	723	773	823	873	923	
MPT MPTX	025	027		1	•	-	-	278	328	378	428	478	528	578	
				2	-	-	-	342	392	442	492	542	592	642	
				3	-	-	-	380	430	480	530	580	630	680	
MPT	110	114	116	120	1	-	•	-	273	323	373	423	473	523	573
					2	-	-	-	320	370	420	470	520	570	620
					3	-	-	•	396	446	496	546	596	646	696
					4	-	-	-	498	548	598	648	698	748	798
MPTX	110	114	116	120	1	-	-	•	273	323	373	423	473	523	573
					2	-	-	-	318	368	418	468	518	568	618
					3	-	-	-	396	446	496	546	596	646	696
					4	-	-	-	498	548	598	648	698	748	798

STEEL EXTENSION TUBE

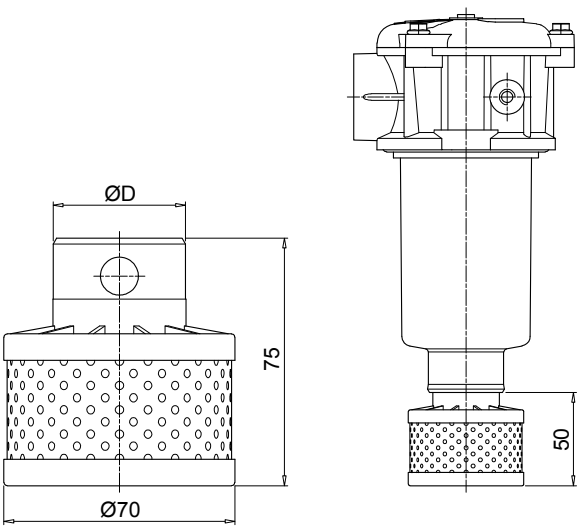
H1 - Total length immersed in the tank

Configuration example: **MPF191** **2** **A** **F1** **A10** **H** **B** **S60**

Length	H1 [mm]
S30	300
S35	350
S40	400
S45	450
S50	500
S60	600
S70	700
S80	800
S90	900

COMPATIBILITY TABLE							
Filter series	Filter size			Filter length	Ø D [mm]		
					52	65	
MPF	191	192	194	2	•	-	
				1	•	-	
	400	410	450	451	2	-	•
					3	-	•
		750			1	-	•

DIFFUSER WITH FAST LOCK CONNECTION

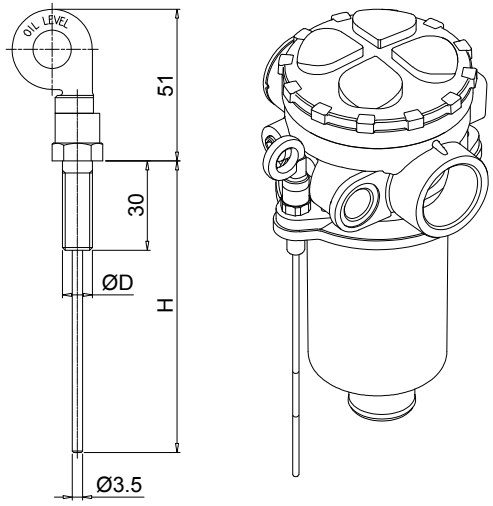


Configuration example: **DFS 32 A 075**

Series		DFS
Size	ø D [mm]	
32	32	
40	40	
Version		A Standard
Length		075 Standard

COMPATIBILITY TABLE							
Filter series	Filter size			Filter Length	DFS32	DFS40	
MPF	100	104	110	1	•	-	
				2	-	-	
				3	-	•	
				4	-	•	
MPFX	100	104	110	1	-	•	
				2	-	•	
				3	-	•	
				4	-	•	
MPT	110	114	116	120	1	•	-
					2	-	-
					3	-	•
					4	-	•
MPTX	110	114	116	120	1	-	•
					2	-	•
					3	-	•
					4	-	•

DIPSTICK



Configuration example: **DPT 20 M10 A P01**

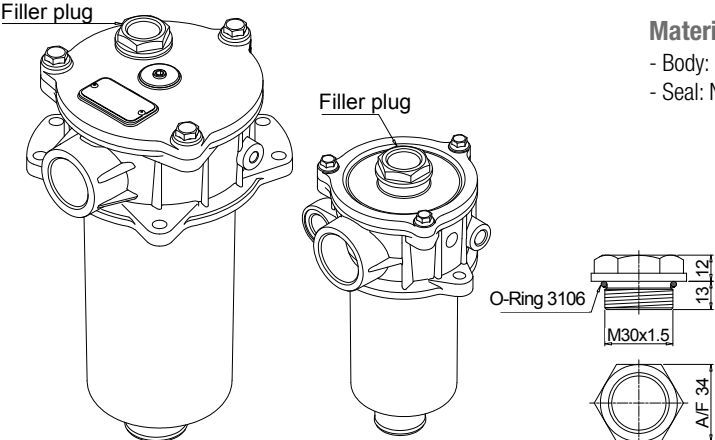
Series		DPT
Length	H [mm]	
15	134	
20	184	
25	234	
30	284	
35	334	

Materials
 - Screw: phosphatized steel
 - Stick: phosphatized steel
 - Handle: Polyamide

Technical data
 Working temperature: from -25 °C to +110 °C

Fastening		M8 Fastening with screws ø D = M8 M10 Fastening with screws ø D = M10
Seals		A NBR V FPM
Execution		P01 MP Filtri standard Pxx Customized

FILLER PLUG



Materials
 - Body: Polyamide
 - Seal: NBR

Technical data
 Tightening torque: 15 N·m

O-Ring 3106
 M30x1.5
 13 12
 A/F 34

For any further information, please, contact our commercial dept.