

UFM 041

Mobile filtration unit



- **Compact size**
- **Light**
- **Easy to use**
- **Easy maintenance**
- **Reliable**
- **Absolute filtration**

UFM 041 mobile filtration units suitable for filling and refilling of filtered hydraulic fluids and lubrication tanks.

The filter unit connected to off-line to the tank (recommended maximum volume of 350/500 L.), can be used as a support to the filtration plant on start-up for fast flushing action, either as additional filtration systems with a high incidence of contamination.

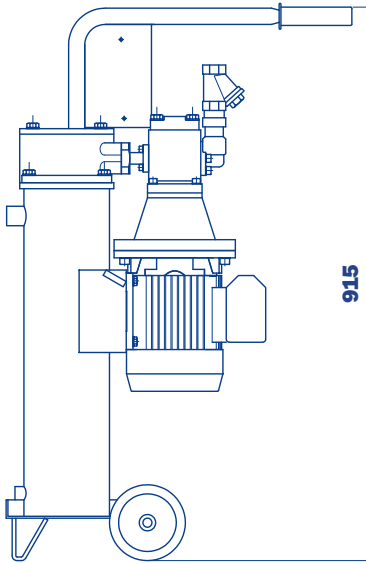
Continued use is recommended for the version with three phase electric motor.

Technical data

Pump	Gear pump
Electric Motor	0,75 Kw 230 Volt single phase electric motor 0,75 Kw 400/230 Volt three phase electric motor
Flow (l/min)	34 l/min - 1450 r.p.m.
Max. Operation Pressure	5 bar
Viscosity range	Min. operation 10 cSt Max. operation 200 cSt Max. only for cold start 800 cSt
Suction Filter	Type Y filtration 350 µm
By-Pass valve	Rating 2,5 bar
Fluid Temperature	From -10° to +80° C
Ambient Temperature	From -20° to +45° C
Protection Class	IP 55
Seal	NBR
Fluid Compatibility	Mineral Oil & Sintetic Oil - Other on request
Weight	45 kg.
Equipment	Visual clogging indicator (gauge)

UFM 041

Mobile filtration unit

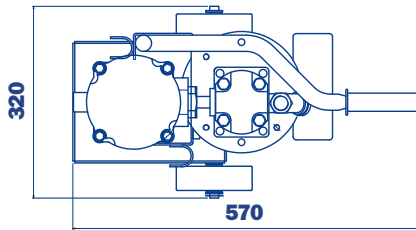
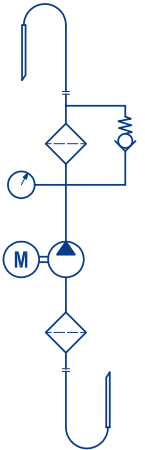


915

Hoses



Symbol



320

570

Suction hose - with lance
DN25 length 3000 mm - DN25 length 700 mm.

Pressure hose - with lance
DN20 length 3000 mm - DN20 length 700 mm.

Ordering information - Filter element

Filter element

Absolute filtration
inorganic microfibre

$\beta_{x@} \geq 1000$

Wire mesh element

Nominal filtration

MR 250 4 A01 A P01

<4

MR 250 4 M25 A P01

25 μ m

MR 250 4 A03 A P01

5

MR 250 4 M60 A P01

60 μ m

MR 250 4 A06 A P01

7

MR 250 4 A10 A P01

10

MR 250 4 A16 A P01

15

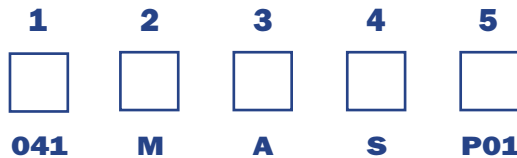
MR 250 4 A25 A P01

20

Ordering information - UFM

UFM

Example: UFM



1 - Flow

041 34 l/min

3 - Seals

A NBR

5 - Option

P01 Standard MP Filtri

2 - Electric motor

M Single phase 220 V

T Three phase 380 V

4 - Filter elements

S Without element

Filtration elements should be ordered separately