

# LMC/LDC series

IEC electric motor range from size 80 up to size 355



# BELL-HOUSING & COUPLING SIZING

## A GUIDE TO SELECT THE CORRECT BELL-HOUSING AND DRIVE COUPLING

### DATA REQUIRED

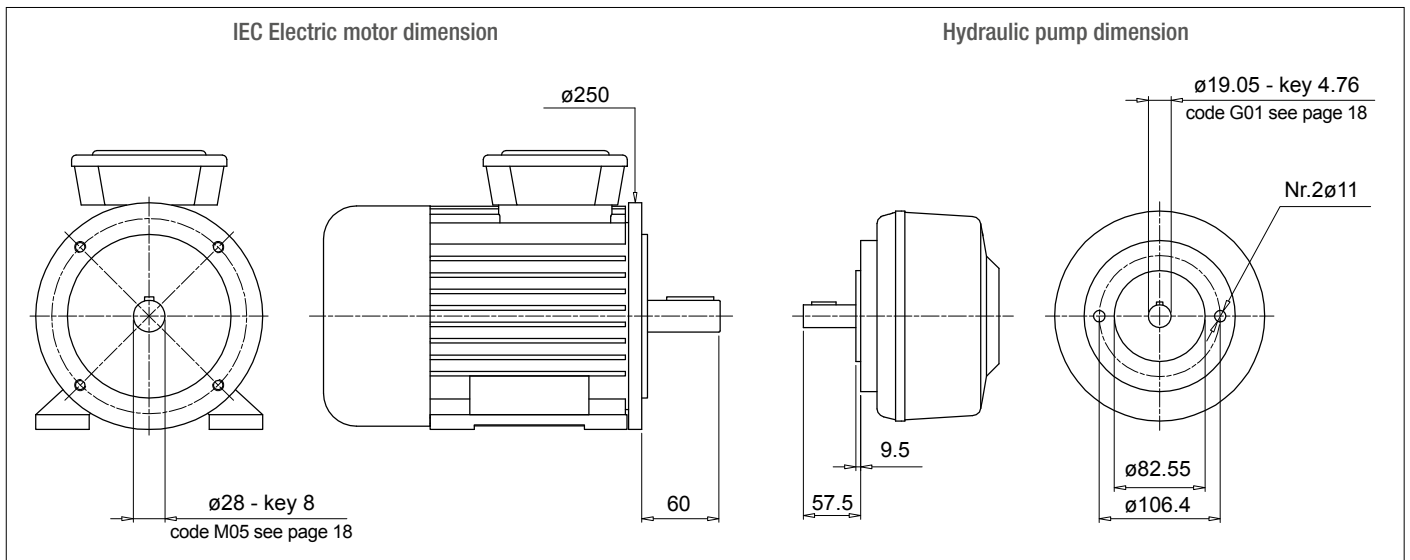
- Electric motor power/motor size
- Manufacturer and pump type

### TO VERIFY:

- 1 - Pump and motor shaft dimensions (see electric motor data sheet)
- 2 - Shaft and flange pump (see pump data sheet)

### Example:

- Electric motor 2.2 kW - size 100-112
- Atos pump code PFE31 - Shaft 1



### Bell-Housing's length calculation

- $H = 60 + 18 + 57.5 = 135.5$  mm (18 = Sp spider - see page 31)
- Choose type of bell-housing (LMC - LMS):  
For monobloc bell-housing LMC/LDC series see pages 63 ÷ 69  
For Low noise bell-housing LMS/LDS series see pages 71 ÷ 77  
For Multi-components 2-3 bell housing series see pages 79 ÷ 99

#### Note:

The length of bell-housing must be  $\geq$  than the length calculated (135.5 mm)

### Case A

#### Solution with monobloc bell-housing series **LMC/LDC**

Pages 63 ÷ 69 for IEC Electric motor size 100-112 - LMC250

LMC 250 bell-housing with height  $\geq 135.5$  - LMC250AFSQ

The bell-housing code must be completed with pump drilling code (see pages 48-49).

For the specific case:

Spigot hole 82.55 - PCD 106.4 - Nr.2 holes M10 : Drilling code 060

Definitive bell-housing code **LMC250AFSQ060**

### Case B

#### Solution with low noise bell-housing series **LMS/LDS**

Pages 71 ÷ 77 for IEC Electric motor size 100-112 - LMS250

LMS 250 bell-housing with height  $\geq 135.5$  - LMS250AFSA

The bell-housing code must be completed with pump drilling code (see pages 48-49).

For the specific case:

Spigot hole 82.55 - PCD 106.4 - Nr.2 holes M10 : Drilling code 060

Definitive bell-housing code **LMS250AFSA060**

# BELL-HOUSING & COUPLING SIZING

## A GUIDE TO SELECT THE CORRECT BELL-HOUSING AND DRIVE COUPLING

### Coupling selection

#### Motor half-coupling (see page 26)

For IEC Electric motor size 100/112, the half-coupling is **SGEA21M05060FG**

#### Spider (see page 31)

For SGEA21, EGE2 - EGE2RR

(choose spider material on the base of the application, oil, temperature and cycle machine, etc.)

#### Pump half-coupling

Choose the drilling code - see pages 18-19 for shaft 19.05 - key 4.76 - code: **G01**

Pump half-coupling length = BH length - THK Spider - THK Spigot

$$\text{LMC} = 138 \text{ mm} - 60 - 18 - 9.5 = 50.5 \text{ mm}$$

$$\text{LMS} = 148 \text{ mm} - 60 - 18 - 9.5 = 60.5 \text{ mm}$$

LMC - Choose the half-coupling's length at page 26  $\leq$  50.5 mm.

LMS - Choose the half-coupling's length at page 26  $\leq$  60.5 mm.

LMC - Availabe length for SGEA21 = 50 mm

LMS - Availabe length for SGEA21 = 60 mm

Half coupling for LMC: **SGEA21G01050FG**

Half coupling for LMS: **SGEA21G01050FG**

### SOFTWARE FOR AUTOMATIC CALCULATION

available on the web site [www.mpfiltri.com](http://www.mpfiltri.com)

Vane / Piston / Screw pumps

AKA  
AKMM03Z0066

Pump  
Manufacturer: ATOS  
Pump type: PFE  
Pump model: PFE31 Shaft 1

HYDRAULIC PUMP - Technical Data  
L1: 57.5  
d1: 19.05  
Ch: 4.76  
s: 9.5  
PD: 82.55  
Int: 106  
Nr: 2  
F: M10

Electric Motor  
N. Poles: 2P  
Type: 83-85  
Size: 100-112  
Kw: 3-4  
Hp: 4-5,44

ELECTRIC MOTOR - Technical Data  
L: 60  
d1: 28  
Fig.: 250  
Ch: 8

Coupling material  
 Aluminium  Cast iron  Allow alternative material

Result  
Coupling: M03 - 20066  
Drilling Pump: S060  
Pump Shaft: G01  
Motor Shaft: M05

Result  
Monobloc Bellhousing:   
Modular Bellhousing:   
Silenced Bellhousing:

Monobloc Bellhousing:  
Pump half-coupling with grub screw  
For other solution please contact technical department

Modular Bellhousing: OK  
Silenced Bellhousing: OK

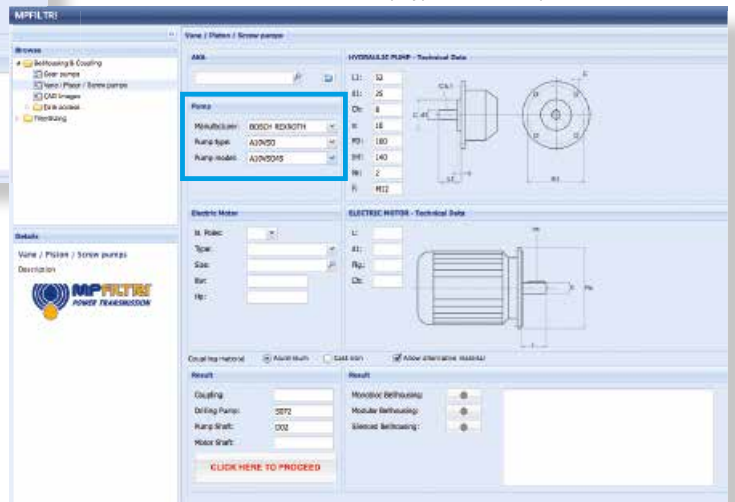
[CLICK HERE TO PROCEED](#)

**Note:** for multi pumps we recommend to use a specific support on the base of the pump's dimensions and weight.

## Step 1 Select "BELL-HOUSING & COUPLING"



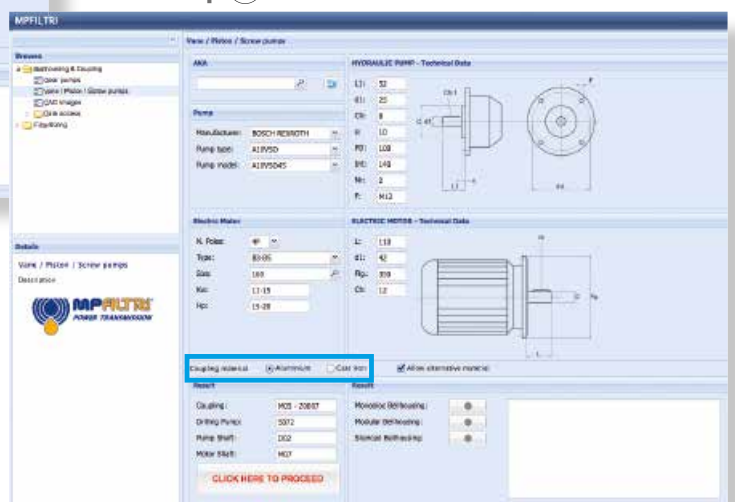
## Step 2 Choose Manufacturer: select "Pump type" and "Pump model"



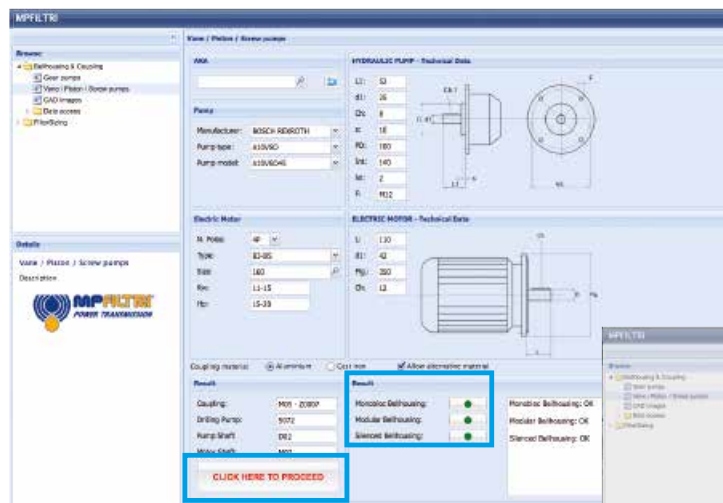
## Step 3 Choose nr° of poles of "Electric motors": select "Electric motors type" and "Electric motors size"



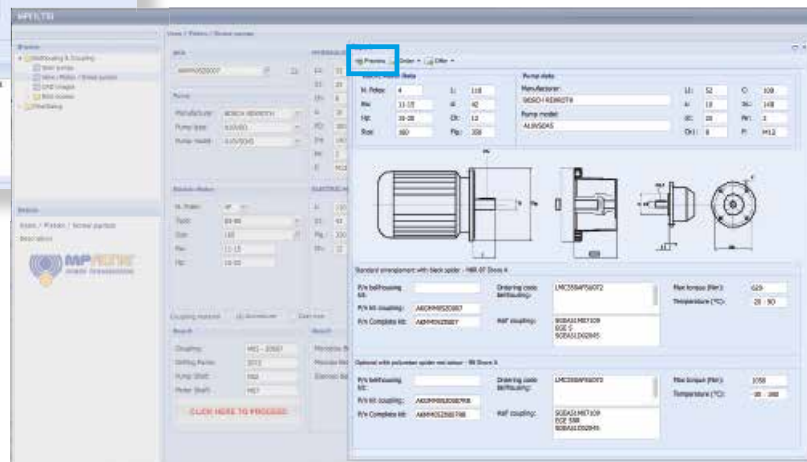
## Step 4 Choose Coupling material



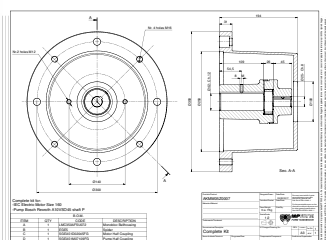
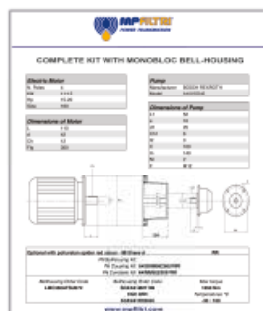
**Step 5** Push **"CLICK HERE TO PROCEED"**, then choose best solution for your application.



**Step 6** Push **"PREVIEW"** to download the reports.



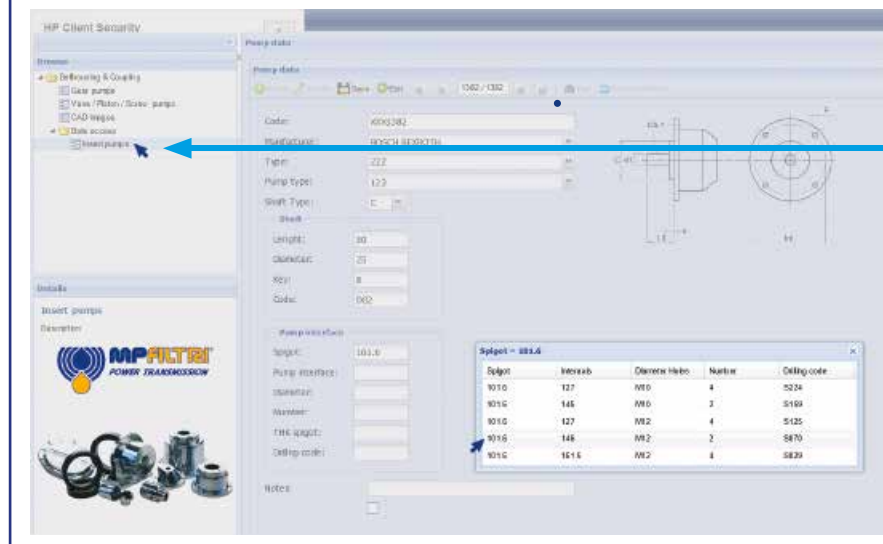
**Step 7**  Download PDF Datasheet and "DXF Drawing" of your selection



You can't find the pump on the system?

**NEW FEATURE!!**

Insert pump's dimension on the section **"INSERT PUMP"** and follow the instructions to achieve the couplings components code



Noise is a particularly pervasive problem so much so that there have been statutory regulations in place now for some years, designed to limit harmful occupational exposure.

Many of the machines used in industry today are equipped with oil-hydraulic systems, which happen to be a major source of noise.

## ① THEORY AND DEFINITION OF NOISE

From a health and hygiene standpoint, noise can be defined as an unpleasant and undesirable sound, or an unpleasant and annoying or intolerable auditory sensation (noise being any sound phenomena that may be accompanied by sensations of disturbance and pain). By definition, acoustic phenomena are oscillatory in character, propagated in a flexible medium and causing pressure variations at the points, and the areas adjacent to those points, through which they pass.

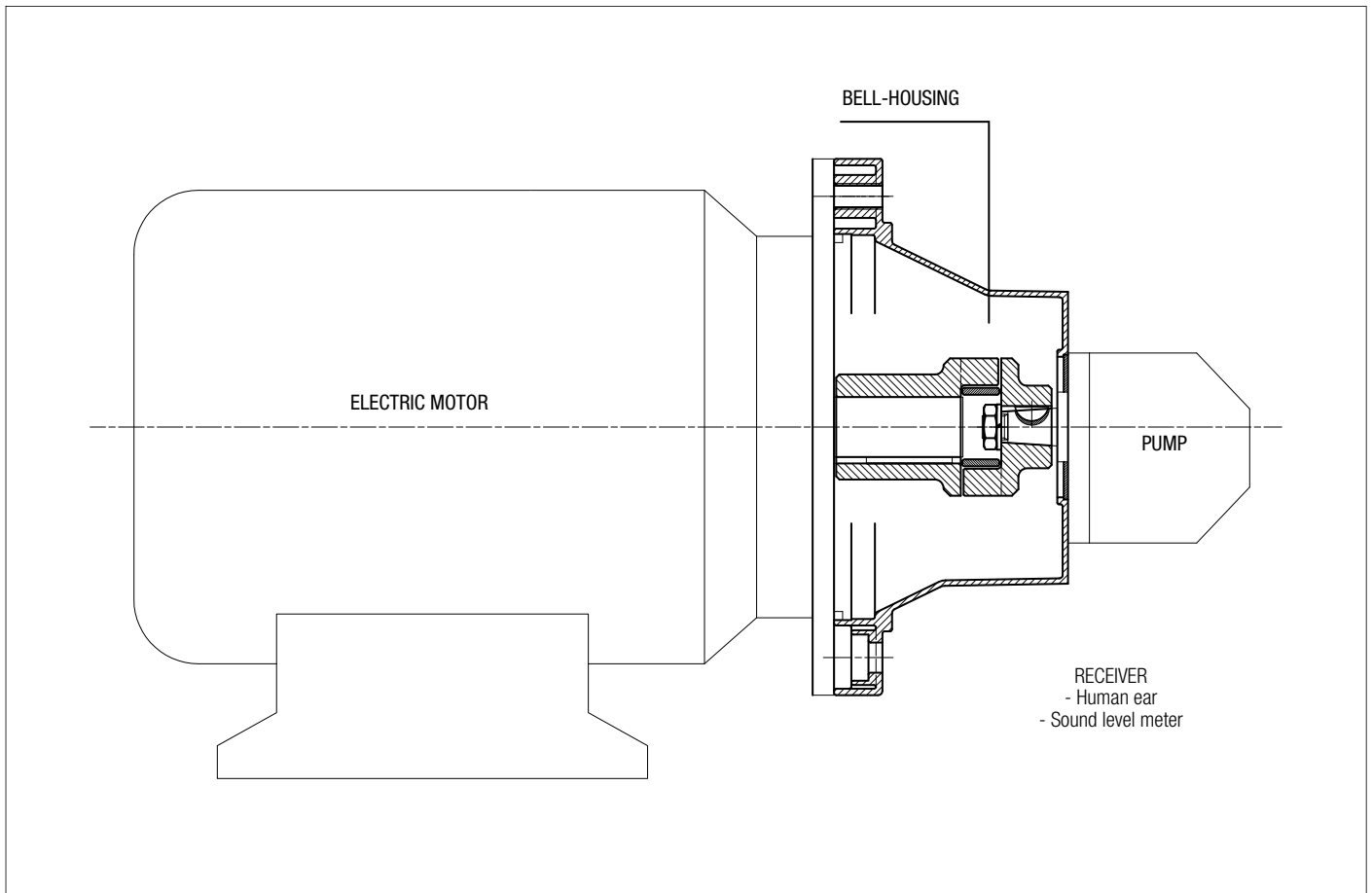
## ② SOUND

Technically considered, certain elements must be present simultaneously for acoustic phenomena to occur:

- Sound source
- Transmission medium
- Receiver

The electric motor and the pump, together with the drive coupling, are the SOURCE OF THE NOISE. The Bell-housing is the noise transmission MEDIUM. Depending on whether the monobloc bell-housing is a rigid or low noise type, there will be variations in the flexible properties of the transmission medium. The acoustic phenomena are dissimilar in the two cases, given the differences in pressure variation and particle displacement.

## MOTOR AND PUMP UNIT



Low noise bell-housing will help to attenuate the transmission of vibrations and the emission of noise generated by the system.

Self-evidently, however, the mere adoption of a low noise bell-housing will achieve little unless the motor and pump are correctly installed on the machine or on the tank of the hydraulic power unit.

Should be followed in order to achieve best possible results and correct installation:

## 1 MOTOR AND PUMP UNIT MOUNTED HORIZONTALLY ON OIL TANK LID

- The suction pipe attached to the pump must be rigid and fitted using a resilient bulkhead flange of the FTA series, which helps to cushion the vibrations propagated between the pipe and the tank lid.  
If pipes need to be bent, the radius of curvature must be at least 3 times the pipe diameter.  
Do not use elbow fittings, as these will significantly increase pressure losses.
- The pressure pipeline of the pump must be flexible and long enough to include bends with the minimum radius of curvature recommended by the manufacturer for the specified operating pressure.
- The return pipeline running from the service to the filter must be flexible.  
Where oil is returned directly to the tank of the hydraulic power unit through a rigid pipe, it is advisable to use a resilient bulkhead flange of the FTR series, which helps to cushion the vibrations propagated between the pipe and the tank lid.
- Anti-vibration devices (resilient mounts or damping rods) must be located under the feet of the electric motor or the PDM foot brackets, depending on the mounting position of the motor.
- The lids of hydraulic oil tanks must be sturdy enough to support the load they carry.

## 2 MOTOR AND PUMP UNIT MOUNTED HORIZONTALLY ON MACHINE

- As a matter of good practice, the oil tank and motor-pump unit should be mounted on a single supporting frame of strength sufficient to support the load.
- If the hydraulic system is fitted with a side-mounted filter, the suction pipeline to the pump must be flexible and long enough to include bends with the minimum radius of curvature recommended by the manufacturer.
- If the suction filter is not side mounted, the pipeline should be rigid and installed in conjunction with a compensating coupling.
- The pressure pipeline of the pump must be flexible, and long enough to include bends with the minimum radius of curvature recommended by the manufacturer for the specified operating pressure.
- The return pipeline running from the service to the filter must be flexible.  
Where oil is returned directly to the tank of the hydraulic power unit through a rigid pipe, it is advisable to use a resilient bulkhead flange of the FTR series, which helps to cushion the vibrations propagated between the pipe and the tank lid.

- Anti-vibration devices (resilient mounts or damping rods) must be located under the feet of the electric motor or the PDM foot brackets, depending on the mounting position of the motor.

### Note:

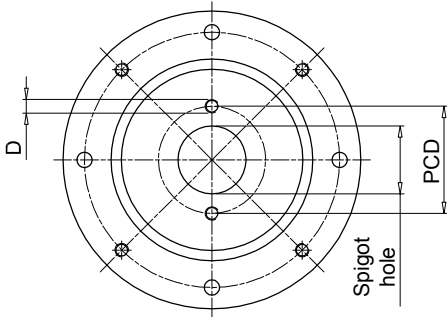
The above guidelines are indicative only and subordinate to the solutions adopted ultimately by design engineers.

## FINAL CONSIDERATION

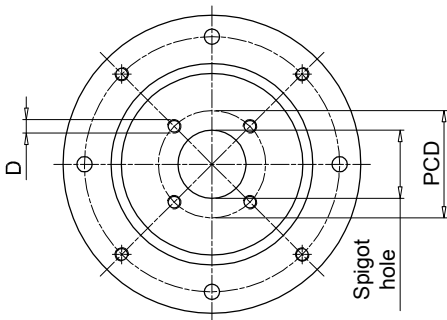
For best results, in any event, the motor-and-pump unit should be incorporated into the hydraulic system in such a way that no one component is rigidly associated with another, resulting in the propagation of vibration, and consequently noise.



### Valid configuration for bell-housing up to ø400

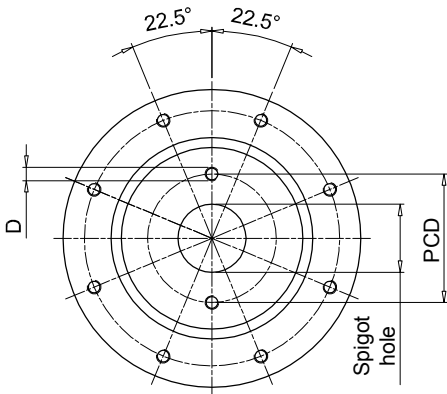


Bell-housing with nr. 2 holes at pump interface, aligned with through holes at motor interface.

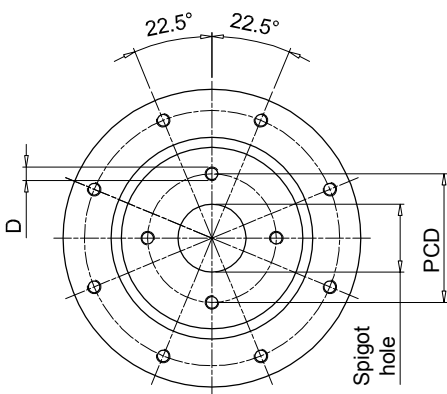


Bell-housing with nr. 4 holes at pump interface, aligned with thread holes at motor interface.

### Valid configuration for bell-housing from ø450 to ø660



Bell-housing with nr. 2 holes at pump interface + 22.5° compared to through holes at motor interface.



Bell-housing with nr. 4 holes at pump interface + 22.5° compared to thread holes at motor interface.

Spigot hole [mm]	PCD	D	Nr. holes	Code	Type
<b>40</b>	72.00	M8	2	<b>191</b>	-
<b>45.2</b>	88.90	M8	4	<b>096</b>	-
	71.80	M8	4	<b>120</b>	-
<b>50</b>	80.00	M8	2	<b>052</b>	ISO3019-2-50-B2
	93.00	M10	2	<b>053</b>	-
	60.00	M5	4	<b>280</b>	-
	63.00	ø7	4	<b>057</b>	-
<b>50.8</b>	93.00	M8	2	<b>287</b>	-
	82.50	M8	2	<b>050</b>	SAE A-A 50-2
<b>56</b>	76.00	M6	4	<b>234</b>	-
<b>57.15</b>	106.40	ø11	2	<b>212</b>	-
<b>60</b>	74.00	M10	4	<b>098</b>	-
	98.50	M6	4	<b>147</b>	-
<b>62.7</b>	75.00	M6	4	<b>227</b>	-
	157.20	M12	4	<b>231</b>	-
<b>63</b>	100.00	M8	2	<b>042</b>	ISO3019-2-63-B2
	125.00	M6	4	<b>043</b>	-
	85.00	M8	4	<b>044</b>	-
	80.00	M8	2	<b>051</b>	-
	80.00	ø8,5	4	<b>058</b>	-
	100.00	M10	2	<b>062</b>	-
	85.00	M8	4	<b>168</b>	ISO3019-2-63-B4
	90.00	M8	4	<b>271</b>	-
<b>65</b>	90.00	M8	4	<b>073</b>	-
<b>70</b>	84.00	ø7	4	<b>289</b>	-
<b>71.8</b>	88.90	M10	4	<b>047</b>	-
<b>75</b>	102.00	M10	4	<b>139</b>	-
<b>80</b>	100.00	M8	4	<b>024</b>	ISO3019-2-80-B4
	103.20	M8	2	<b>045</b>	ISO3019-2-80-B2
	100.00	ø11	4	<b>059</b>	-
	100.00	M10	2	<b>061</b>	-
	110.00	M10	2	<b>063</b>	-
	140.00	M10	2	<b>064</b>	-
	115.00	M10	2	<b>065</b>	-
	100.00	M10	4	<b>067</b>	-
	106.40	M10	2	<b>083</b>	-
	130.00	M8	4	<b>087</b>	-
	100.00	ø8,5	4	<b>093</b>	-
	113.00	M12	4	<b>104</b>	-
<b>82.55</b>	95.00	M8	4	<b>169</b>	-
	103.00	M8	4	<b>242</b>	-
	110.00	M10	4	<b>272</b>	-
	106.40	M10	2	<b>060</b>	SAE A 82-2
	105.00	M10	4	<b>097</b>	-
	106.40	M8	2	<b>254</b>	-
<b>85</b>	146.00	M12	2	<b>260</b>	-
	110.00	M10	2	<b>284</b>	-
	106.40	M10	2	<b>066</b>	-
<b>90</b>	112.00	M8	2	<b>134</b>	-
	105.00	M8	4	<b>156</b>	-
	118.00	ø9	2	<b>163</b>	-
<b>92</b>	112.00	ø9	2	<b>164</b>	-
	140.00	M8	4	<b>088</b>	-
	145.00	M10	4	<b>089</b>	-

"-": configuration out of ISO & SAE Standard



Spigot hole [mm]	PCD	D	Nr. holes	Code	Type	
<b>95</b>	115.00	M8	4	<b>137</b>	-	
	127.00	M10	4	<b>131</b>	-	
<b>98.4</b>	125.00	ø11	4	<b>128</b>	-	
	125.00	M10	4	<b>023</b>	ISO3019-2-100-B4	
<b>100</b>	125.00	M10	2	<b>025</b>	ISO3019-2-100-B2	
	125.00	ø11	4	<b>031</b>	-	
	125.00	M5	4	<b>032</b>	-	
	190.00	ø15	4	<b>038</b>	-	
	125.00	ø13	4	<b>041</b>	-	
	125.00	M12	2	<b>071</b>	-	
	140.00	M12	2	<b>072</b>	-	
	146.00	M12	2	<b>075</b>	-	
	126.00	M10	2	<b>106</b>	-	
	120.00	M8	4	<b>122</b>	-	
	160.00	M10	4	<b>141</b>	-	
	150.00	M10	4	<b>150</b>	-	
	<b>101.6</b>	161.50	M12	4	<b>029</b>	-
		146.00	M12	2	<b>070</b>	SAE B 101-2
127.00		M12	4	<b>125</b>	-	
146.00		M10	2	<b>159</b>	-	
<b>105</b>	127.00	M10	4	<b>224</b>	-	
	146.00	M12	2	<b>076</b>	-	
<b>110</b>	175.00	M10	4	<b>110</b>	-	
	130.00	M8	4	<b>154</b>	-	
	200.00	M10	4	<b>202</b>	-	
	135.00	M10	4	<b>219</b>	-	
	145.00	M12	4	<b>273</b>	-	
<b>112</b>	140.00	M12	2	<b>074</b>	-	
	140.00	M10	2	<b>138</b>	-	
<b>115</b>	130.00	M10	4	<b>264</b>	-	
	180.00	M12	4	<b>198</b>	-	
<b>116</b>	160.00	M14	2	<b>084</b>	-	
<b>120</b>	210.00	M16	2	<b>094</b>	-	
	145.00	M10	4	<b>155</b>	-	
	150.00	ø13	4	<b>267</b>	-	
<b>125</b>	160.00	M12	4	<b>026</b>	ISO3019-2-125-B4	
	160.00	ø13	4	<b>033</b>	-	
	160.00	M12	2	<b>079</b>	-	
	180.00	M16	2	<b>082</b>	ISO3019-2-125-B2	
	155.00	M10	4	<b>102</b>	-	
	160.00	ø17	4	<b>113</b>	-	
	200.00	M12	4	<b>114</b>	-	
	181.20	M16	2	<b>136</b>	-	
	200.00	M16	4	<b>200</b>	-	
	180.00	ø20	4	<b>215</b>	-	
	170.00	ø18	4	<b>237</b>	-	
<b>127</b>	161.50	M12	4	<b>021</b>	-	
	181.20	M16	2	<b>080</b>	SAE C 127-2	
	161.50	M14	4	<b>140</b>	-	
<b>130</b>	165.00	ø11	4	<b>054</b>	-	
	150.00	M12	4	<b>068</b>	-	
	181.20	M16	2	<b>085</b>	-	
	165.00	M12	4	<b>124</b>	-	
	165.00	M14	4	<b>135</b>	-	

"-": configuration out of ISO & SAE Standard

Spigot hole [mm]	PCD	D	Nr. holes	Code	Type
<b>130</b>	165.00	M10	4	<b>253</b>	-
<b>135</b>	160.00	M10	4	<b>151</b>	-
	175.40	M12	4	<b>220</b>	-
<b>140</b>	180.00	M14	4	<b>077</b>	ISO3019-2-140-B4
	180.00	M12	2	<b>081</b>	-
	165.00	M10	4	<b>157</b>	-
	200.00	M16	4	<b>176</b>	ISO3019-2-140-B2
	165.00	ø11	4	<b>223</b>	-
	180.00	M16	2	<b>232</b>	-
<b>150</b>	185.00	M16	4	<b>069</b>	-
	228.60	M16	4	<b>022</b>	-
<b>152.4</b>	228.60	M18	2	<b>090</b>	-
	228.60	M18	4	<b>108</b>	-
	217.50	ø17	4	<b>118</b>	-
	228.60	M20	2	<b>166</b>	SAE D 152-2
	228.60	M20	4	<b>192</b>	SAE D 152 -4
	190.50	M8	4	<b>207</b>	-
<b>160</b>	200.00	M16	4	<b>027</b>	ISO3019 - 2 -160 B4
	200.00	ø17	4	<b>035</b>	-
	200.00	M16	2	<b>091</b>	-
	224.00	M20	2	<b>092</b>	ISO3019 - 2 -160 B2
	200.00	M12	2	<b>107</b>	-
	230.00	M22	4	<b>111</b>	-
	185.00	M12	4	<b>152</b>	-
	224.00	M16	4	<b>184</b>	-
<b>162</b>	230.00	ø22	4	<b>228</b>	-
	188.00	M12	4	<b>263</b>	-
<b>165.1</b>	317.35	M20	4	<b>143</b>	SAE E 165 - 4
	317.35	M24	2	<b>145</b>	SAE E 165 - 2
	229.00	M20	4	<b>201</b>	-
<b>175</b>	317.35	M18	4	<b>204</b>	-
	200.00	M12	4	<b>153</b>	-
<b>177.8</b>	230.00	M18	2	<b>185</b>	-
	350.00	M24	4	<b>146</b>	SAE F 177 - 4
	216.00	M12	4	<b>222</b>	-
<b>180</b>	350.00	M24	2	<b>203</b>	SAE F 177 - 2
	216.00	ø13	4	<b>055</b>	-
	216.00	M16	4	<b>078</b>	-
	224.00	M16	4	<b>112</b>	ISO3019 - 2 -180 B4
	216.00	M12	4	<b>132</b>	-
	215.00	M22	4	<b>148</b>	-
	230.00	M22	4	<b>226</b>	-
	250.00	M20	4	<b>028</b>	ISO3019 - 2 -200 B4
250.00	ø22	4	<b>095</b>	-	
<b>200</b>	280.00	M24	2	<b>117</b>	-
	230.50	M12	4	<b>214</b>	-
<b>203.2</b>	254.00	M14	4	<b>210</b>	-
<b>205</b>	240.00	M16	4	<b>133</b>	-
<b>224</b>	280.00	M20	4	<b>144</b>	ISO3019 - 2 -224 B4
	280.00	ø22	4	<b>205</b>	-
<b>250</b>	310.00	M24	4	<b>238</b>	-
	315.00	M20	4	<b>282</b>	ISO3019 - 2 -250 B4
<b>275</b>	355.00	M16	4	<b>233</b>	-
	355.00	ø18	4	<b>281</b>	-

"-": configuration out of ISO & SAE Standard



# LMC/LDC series

IEC electric motor range from size 80 up to size 355



## Technical data

**Bell-Housing - IEC electric motor range from size 80 up to size 355****Materials**

- Monobloc bell-housing: Pressure diecast aluminium alloy
- Pump fange: Pressure diecast aluminium alloy
- Screws kit: Steel
- Gaskets: Special paper (Guarnital)
- Plug for inspection: Nylon

**Compatibility with fluids**

Modular bell-housing components compatible for use with:

- Mineral oils types HH-LL-HM-HR-HV-HC, to ISO 6743/4 standard
- Water based emulsions types HFAE-HFAS, to ISO 6743/4 standard
- Water glycol type HFC, to ISO 6743/4 standard: ask for anodized version

**Special Applications**

Any applications not covered by the normal indications contained in this catalogue must be evaluated and approved by MP Filtri Technical and Sales Department.

**Temperature**

From -30 °C to +80 °C

**Note**

For temperatures outside this range, contact MP Filtri Technical and Sales Department.



Range

Bell-Housing size	Flange ISO 3019-2							IEC Motors size	
	50 B2-B4	63 B2-B4	80 B2-B4	100 B2-B4	125 B2-B4	160 B2-B4	200 B2-B4		
LMC200	●	●	●	●					IEC 80 $\varnothing$ 200 - $\varnothing$ 19x40
LMC200	●	●	●	●					IEC 90 $\varnothing$ 200 - $\varnothing$ 24x50
LMC250	●	●	●	●	●				IEC 100 $\varnothing$ 250 - $\varnothing$ 28x60
LMC250	●	●	●	●	●				IEC 112 $\varnothing$ 250 - $\varnothing$ 28x60
LMC300			●	●	●	●			IEC 132 $\varnothing$ 300 - $\varnothing$ 38x80
LMC350			●	●	●	●			IEC 160 $\varnothing$ 350 - $\varnothing$ 42x110
LMC350			●	●	●	●	●		IEC 180 $\varnothing$ 350 - $\varnothing$ 48x110
LMC400			●	●	●	●	●		IEC 200 $\varnothing$ 400 - $\varnothing$ 55x110
LMC450			●	●	●	●	●		IEC 225 $\varnothing$ 450 - $\varnothing$ 60x140
LMC550					●	●	●		IEC 250 $\varnothing$ 550 - $\varnothing$ 65x140
LMC550					●	●	●		IEC 280 $\varnothing$ 550 - $\varnothing$ 75x140
LMC660					●	●	●		IEC 315 $\varnothing$ 660 - $\varnothing$ 80x170

Bell-Housing size	Flange SAE J 744										IEC Motors size		
	50-2 (A-A)	82-2 (A)	101-2 (B)	127-2 (C)	152-2 (D)	165-2 (E)	101-4 (B)	127-4 (D)	152-4 (D)	165-4 (E)			
LMC200	●	●											IEC 80 $\varnothing$ 200 - $\varnothing$ 19x40
LMC200	●	●											IEC 90 $\varnothing$ 200 - $\varnothing$ 24x50
LMC250	●	●	●				●						IEC 100 $\varnothing$ 250 - $\varnothing$ 28x60
LMC250	●	●	●	●			●						IEC 112 $\varnothing$ 250 - $\varnothing$ 28x60
LMC300		●	●	●			●	●					IEC 132 $\varnothing$ 300 - $\varnothing$ 38x80
LMC350		●	●	●			●	●					IEC 160 $\varnothing$ 350 - $\varnothing$ 42x110
LMC350		●	●	●	●		●	●	●				IEC 180 $\varnothing$ 350 - $\varnothing$ 48x110
LMC400		●	●	●	●	●	●	●	●	●			IEC 200 $\varnothing$ 400 - $\varnothing$ 55x110
LMC450			●	●	●	●		●	●	●			IEC 225 $\varnothing$ 450 - $\varnothing$ 60x140
LMC550				●	●	●		●	●	●			IEC 250 $\varnothing$ 550 - $\varnothing$ 65x140
LMC550				●	●	●		●	●	●			IEC 280 $\varnothing$ 550 - $\varnothing$ 75x140
LMC660				●	●	●		●	●	●			IEC 315 $\varnothing$ 660 - $\varnothing$ 80x170

## Designation & Ordering code

### LMC

#### Bell-Housing series and size

<b>LMC200AFSJ</b>	<b>LMC350AFSU</b>
<b>LMC200AFSW</b>	<b>LMC400AFSV</b>
<b>LMC250AFSM</b>	<b>LMC450AFSZ</b>
<b>LMC250AFSQ</b>	<b>LMC550AFSN</b>
<b>LMC250AFSR</b>	<b>LMC550AFSO</b>
<b>LMC300AFST</b>	<b>LMC660AFSP</b>
<b>LMC300AFSX</b>	<b>LMC660AFSS</b>
<b>LMC350AFSY</b>	

Configuration example: **LMC200AFSJ** **070** **DI**

#### Pump interface codes

**070** See page 48

#### Options

<b>DI</b>	Drain hole + inspection hole
<b>FG</b>	Holes rotated through 45° in relation to standard position
<b>DP</b>	Double set of hole
<b>AN</b>	Black anodized finish
<b>SA</b>	Clearance holes at motor interface
<b>Pxx</b>	Customer specification

### LDC

#### Bell-Housing series and size

<b>LDC200AFRB</b>	<b>LDC350AF6B</b>
<b>LDC200AFRC</b>	<b>LDC400AF5A</b>
<b>LDC200AFRD</b>	<b>LDC400AF5B</b>
<b>LDC250AFRC</b>	<b>LDC400AF6A</b>
<b>LDC300AFRC</b>	<b>LDC400AF6B</b>
<b>LDC300AF5A</b>	<b>LDC450AF6A</b>
<b>LDC300AF5B</b>	<b>LDC450AF6B</b>
<b>LDC350AF6A</b>	

Configuration example: **LDC200AFRB** **070** **DI**

#### Pump interface codes

**070** See page 48

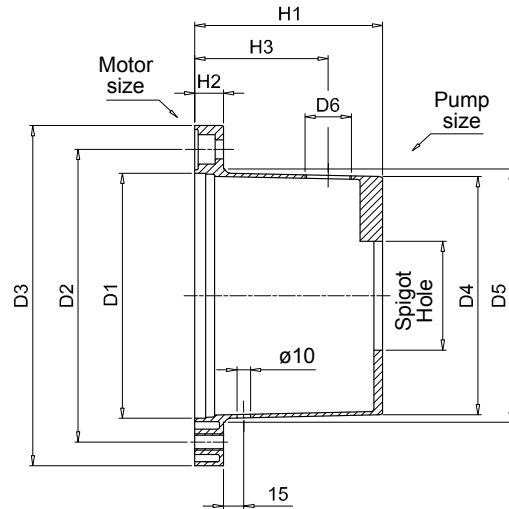
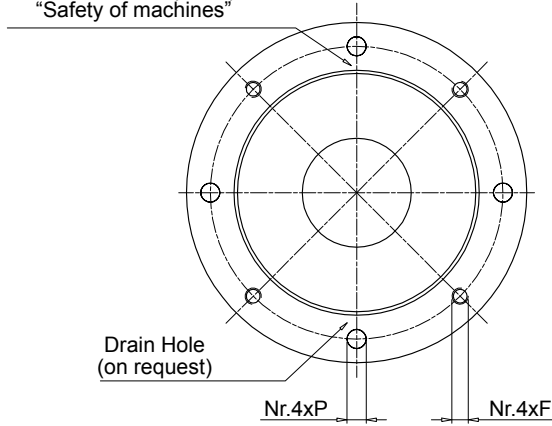
#### Options

<b>DI</b>	Drain hole + inspection hole
<b>FG</b>	Holes rotated through 45° in relation to standard position
<b>DP</b>	Double set of hole
<b>AN</b>	Black anodized finish
<b>SA</b>	Clearance holes at motor interface
<b>Pxx</b>	Customer specification

#### Note:

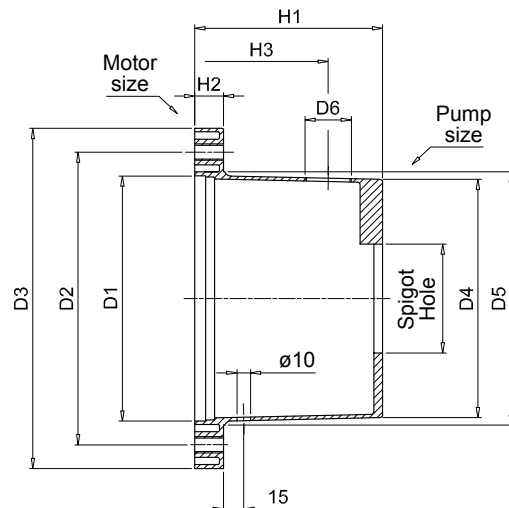
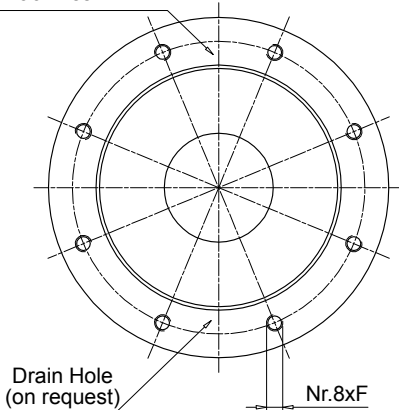
- Bell-housings with DI options are supplied complete with threaded closure plug.
- For customization features other than those indicated on this page, contact MP Filtri Technical and Sales Department.

Inspection Hole  
Plastic threaded plug mounted  
(protection according  
to DIN EN 292 part 2)  
"Safety of machines"



IEC - Electric motors		Bell-housing code	Dimensions [mm]									On request		Spigot hole Minimum [mm]	Weight [kg]
Motor size	Shaft end [d x l]		D1	D2	D3	D4	D5	H1	H2	F	P	H3	D6		
80	19x40	<b>LMC200AFSJ***</b>	130	165	200	125	135	100	18	M10	11	60	3/4"	50	0.75
90	24x50	<b>LMC200AFSW***</b>	130	165	200	125	135	125	18	M10	11	85	3/4"	50	0.95
110 - 112	28x60	<b>LMC250AFSM***</b>	180	215	250	175	186	114	19	M12	14	75	3/4"	50	1.50
		<b>LMC250AFSQ***</b>	180	215	250	175	186	138	19	M12	14	100	3/4"	50	1.60
		<b>LMC250AFSR***</b>	180	215	250	175	186	159	19	M12	14	120	3/4"	50	1.75
132	38x80	<b>LMC300AFST***</b>	230	265	300	230	235	155	23	M12	14	80	3/4"	80	3.20
		<b>LMC300AFSX***</b>	230	265	300	230	235	170	23	M12	14	95	3/4"	80	3.30
160	42x110	<b>LMC350AFSY***</b>	250	300	350	240	254	178	31	M16	18	95	1"	50	4.80
180	48x110	<b>LMC350AFSU***</b>	250	300	350	240	254	194	31	M16	18	115	1"	80	4.90
200	55x110	<b>LMC400AFSV***</b>	300	350	400	280	305	201	31	M16	18	125	1 1/2"	80	6.50

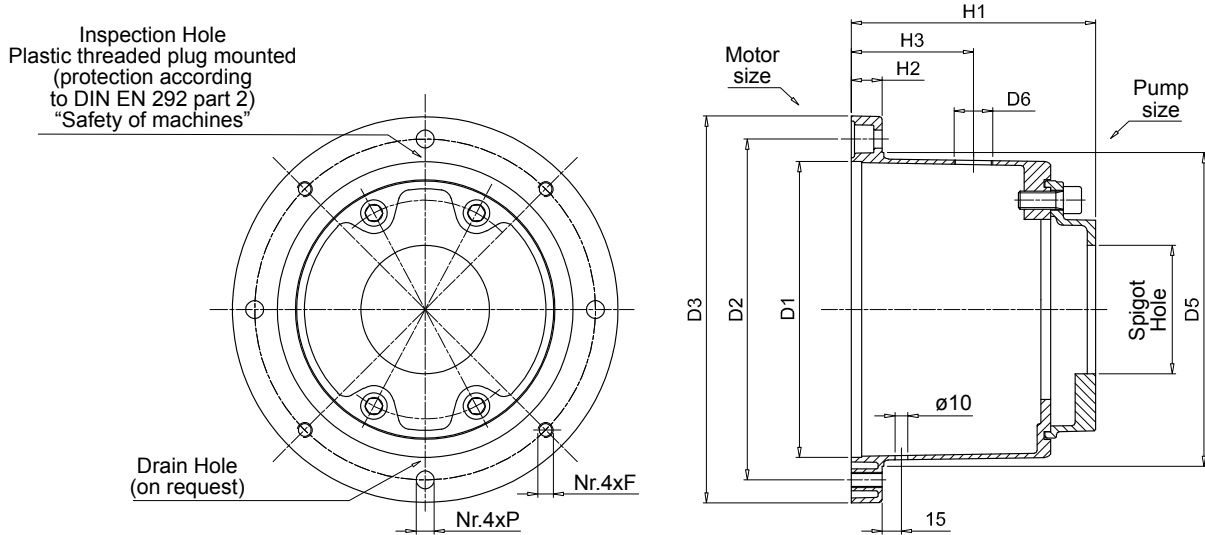
Inspection Hole  
Plastic threaded plug mounted  
(protection according  
to DIN EN 292 part 2)  
"Safety of machines"



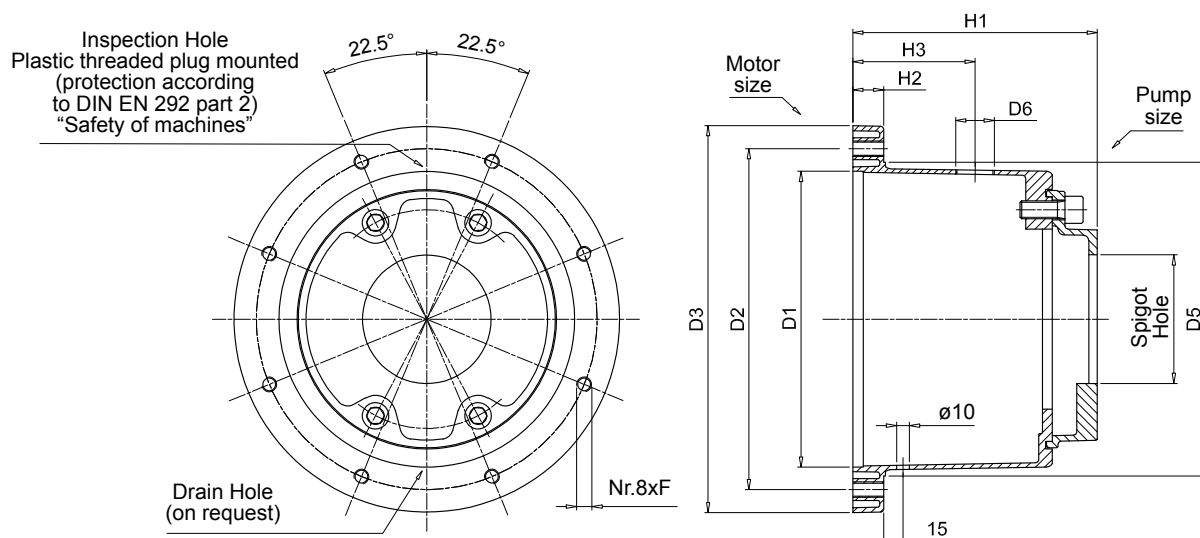
IEC - Electric motors		Bell-housing code	Dimensions [mm]									On request		Spigot hole Minimum [mm]	Weight [kg]
Motor size	Shaft end [d x l]		D1	D2	D3	D4	D5	H1	H2	F	P	H3	D6		
225	60x140	<b>LMC450AFSZ***</b>	350	400	450	320	350	250	31	M16	-	175	1 1/2"	80	9.00
250	65x140	<b>LMC550AFSN***</b>	450	500	550	-	-	265	31	M16	-	175	1 1/2"	100	15.00
280	75x140	<b>LMC550AFS0***</b>	450	500	550	-	-	310	35	M16	-	175	1 1/2"	100	17.00
315	80x170	<b>LMC660AFSP***</b>	550	600	660	-	-	295	35	M16	-	175	1 1/2"	100	27.00
		<b>LMC660AFSS***</b>	550	600	660	-	-	325	45	M20	-	175	1 1/2"	100	31.00



## Dimensions



IEC - Electric motors		Bell-housing code	Dimensions [mm]								On request		Spigot hole Minimum [mm]	Weight [kg]
Motor size	Shaft end [d x l]		D1	D2	D3	D5	H1	H2	F	P	H3	D6		
80	19x40	<b>LDC200AFRB***</b>	130	165	200	135	125	18	M10	11	60	3/4"	50	1.85
90	24x50	<b>LDC200AFRC***</b>	130	165	200	135	133	18	M10	11	60	3/4"	50	1.95
		<b>LDC200AFRD***</b>	130	165	200	135	158	18	M10	11	75	3/4"	50	2.10
110 - 112	28x60	<b>LDC250AFRC***</b>	180	215	250	186	169	19	M12	14	100	3/4"	50	2.75
132	38x80	<b>LDC300AFRC***</b>	230	265	300	235	185	23	M12	14	95	3/4"	50	4.60
		<b>LDC300AF5A***</b>	230	265	300	235	190	23	M12	14	95	3/4"	80	4.50
		<b>LDC300AF5B***</b>	230	265	300	235	181	23	M12	14	95	3/4"	80	4.80
160	42x110	<b>LDC350AF6A***</b>	250	300	350	254	239	31	M16	18	115	1"	80	6.80
180	48x110	<b>LDC350AF6B***</b>	250	300	350	254	252	31	M16	18	115	1"	80	7.30
200	55x110	<b>LDC400AF5A***</b>	300	350	400	305	246	31	M16	18	125	1 1/2"	80	7.50
		<b>LDC400AF5B***</b>	300	350	400	305	234	31	M16	18	125	1 1/2"	80	7.90
		<b>LDC400AF6A***</b>	300	350	400	305	246	31	M16	18	125	1 1/2"	80	8.50
		<b>LDC400AF6B***</b>	300	350	400	305	260	31	M16	18	125	1 1/2"	80	9.00



IEC - Electric motors		Bell-housing code	Dimensions [mm]							On request	Spigot hole Minimum [mm]	Weight [kg]		
Motor size	Shaft end [d x l]		D1	D2	D3	D5	H1	H2	F				P	
225	60x140	<b>LDC450AF6A***</b>	350	400	450	350	295	31	M16	-	175	1"1/2	80	11.20
		<b>LDC450AF6B***</b>	350	400	450	350	308	31	M16	-	175	1"1/2	80	11.60

### Comparative table

MP Filtri code	KTR code	OMT code	Raja code	Hydrapp code
<b>LMC200A***</b>	PK200/3/...	TH20A***	R200/99-115/...	-
<b>LMC200A***</b>	PL200/8/...	TH1***	R200/120-135/...	HLC1
<b>LMC250A***</b>	PL250/6/...	TH2***	R250/120-135/...	HLC3
<b>LMC300A***</b>	PL300/4/...	TH3***	R300/155-170/...	HLC5
<b>LMC350A***</b>	PK350/4/...	TH4***	R350/173-194/...	HLC8
<b>LMC400A***</b>	PK400/4/...	TH15***	R400/194-210/...	HLC12
<b>LMC450A***</b>	PK450/4/...	TH18***	R450/250-210/...	-
<b>LMC550A***</b>	PK550/4/...	TH19***	R550/250-210/...	-
<b>LMC660A***</b>	PK660/4/...	TH20***	R660/250-210/...	-

#### Note:

The above table is guideline only.  
Not all bell-housings are fully interchangeable.