

# LMP 902-903 series

Filter element according to DIN 24550

Maximum working pressure up to 2 MPa (20 bar) - Flow rate up to 3000 l/min



# FILTER SIZING

---

## INDEX

	Page
CALCULATION	23
CORRECTIVE FACTOR	24

**THE CORRECT FILTER SIZING HAVE TO BE BASED ON THE TOTAL PRESSURE DROP DEPENDING BY THE APPLICATION.**

FOR EXAMPLE, THE MAXIMUM TOTAL PRESSURE DROP ALLOWED BY A NEW AND CLEAN RETURN FILTER HAVE TO BE IN THE RANGE 0.4 ÷ 0.6 bar.

The pressure drop calculation is performed by adding together the value of the housing with the value of the filter element. The pressure drop  $\Delta p_c$  of the housing is proportional to the fluid density ( $\text{kg}/\text{dm}^3$ ); all the graphs in the catalogue are referred to mineral oil with density of  $0.86 \text{ kg}/\text{dm}^3$ .

The filter element pressure drop  $\Delta p_e$  is proportional to its viscosity ( $\text{mm}^2/\text{s}$ ), the corrective factor Y have to be used in case of an oil viscosity different than  $30 \text{ mm}^2/\text{s}$  (cSt).

**Sizing data for single filter element, head at top**

$\Delta p_c$  = Filter housing pressure drop [bar]

$\Delta p_e$  = Filter element pressure drop [bar]

Y = Corrective factor Y (see correspondent table), depending on the filter type, on the filter element size, on the filter element length and on the filter media

Q = flow rate (l/min)

V1 reference oil viscosity =  $30 \text{ mm}^2/\text{s}$  (cSt)

V2 = operating oil viscosity in  $\text{mm}^2/\text{s}$  (cSt)

**Filter element pressure drop calculation with an oil viscosity different than  $30 \text{ mm}^2/\text{s}$  (cSt)**

$\Delta p_e = Y : 1000 \times Q \times (V2:V1)$

$\Delta p_{\text{Tot.}} = \Delta p_c + \Delta p_e$

**Verification formula**

$\Delta p_{\text{Tot.}} \leq \Delta p_{\text{max allowed}}$

**Maximum total pressure drop ( $\Delta p_{\text{max}}$ ) allowed by a new and clean filter**

Application	Range (bar)
Suction filters	0.08 ÷ 0.10
Return filters	0.4 ÷ 0.6
	0.4 ÷ 0.6 return lines
	0.3 ÷ 0.5 lubrication lines
Low & Medium Pressure filters	0.3 ÷ 0.4 off-line in power systems
	0.1 ÷ 0.3 off-line in test benches
	0.4 ÷ 0.6 over-boost
High Pressure filters	0.8 ÷ 1.5
Stainless Steel filters	0.8 ÷ 1.5

**Generic filter calculation example**

Application data:

Tank top return filter

Pressure Pmax = 10 bar

Flow rate Q = 120 l/min

Viscosity V2 =  $46 \text{ mm}^2/\text{s}$  (cSt)

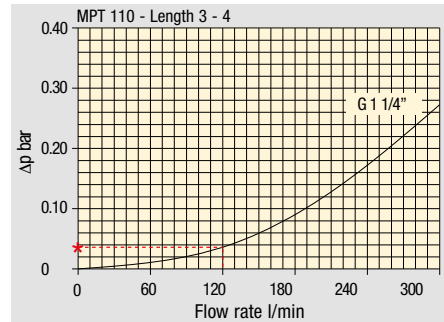
Oil density =  $0.86 \text{ kg}/\text{dm}^3$

Required filtration efficiency =  $25 \mu\text{m}$  with absolute filtration

With bypass valve and G 1 1/4" inlet connection

Calculation:

$\Delta p_c = 0.03 \text{ bar}$  (see graphic below)



Filter housings  $\Delta p$  pressure drop. The curves are plotted using mineral oil with density of  $0.86 \text{ kg}/\text{dm}^3$  in compliance with ISO 3968.  $\Delta p$  varies proportionally with density.

$\Delta p_e = (2.00 : 1000) \times 120 \times (46 : 30) = 0.37 \text{ bar}$

Filter element	Absolute filtration H Series					Nominal filtration N Series		
	A03	A06	A10	A16	A25	P10	P25	M25 M60 M90
Type								
Return filters								
MF 020	74.00	50.08	20.00	16.00	9.00	6.43	5.51	4.40
	2	29.20	24.12	8.00	7.22	5.00	3.33	2.85
	3	22.00	19.00	6.56	5.33	4.33	1.68	1.44
MF 030	74.00	50.08	20.00	16.00	9.00	6.43	5.51	3.40
MFX 030	1	28.20	24.40	8.67	8.17	6.88	4.62	3.96
	2	17.33	12.50	6.86	5.70	4.00	3.05	2.47
	3	10.25	9.00	3.65	3.33	2.50	1.63	1.32
	4	6.10	5.40	2.30	2.20	2.00	1.19	0.96

$\Delta p_{\text{Tot.}} = 0.03 + 0.37 = 0.4 \text{ bar}$

The selection is correct because the total pressure drop value is inside the admissible range for top tank return filters.

In case the allowed max total pressure drop is not verified, it is necessary to repeat the calculation changing the filter length/size.

# FILTER SIZING Corrective factor

Corrective factor Y to be used for the filter element pressure drop calculation. The values depend to the filter size and length and to the filter media.  
Reference oil viscosity 30 mm<sup>2</sup>/s

## Return filters

Filter element	Absolute filtration H Series					Nominal filtration N Series			
	Type	A03	A06	A10	A16	A25	P10	P25	M25 M60 M90
MF 020	1	74.00	50.08	20.00	16.00	9.00	6.43	5.51	4.40
	2	29.20	24.12	8.00	7.22	5.00	3.33	2.85	2.00
	3	22.00	19.00	6.56	5.33	4.33	1.68	1.44	1.30
MF 030 MFX 030	1	74.00	50.08	20.00	16.00	9.00	6.43	5.51	3.40
MF 100 MFX 100	1	28.20	24.40	8.67	8.17	6.88	4.62	3.96	1.25
	2	17.33	12.50	6.86	5.70	4.00	3.05	2.47	1.10
	3	10.25	9.00	3.65	3.33	2.50	1.63	1.32	0.96
	4	6.10	5.40	2.30	2.20	2.00	1.19	0.96	0.82
MF 180 MFX 180	1	3.67	3.05	1.64	1.56	1.24	1.18	1.06	0.26
	2	1.69	1.37	0.68	0.54	0.51	0.43	0.39	0.12
MF 190 MFX 190	2	1.69	1.37	0.60	0.49	0.44	0.35	0.31	0.11
MF 400 MFX 400	1	3.20	2.75	1.39	1.33	1.06	0.96	0.87	0.22
	2	2.00	1.87	0.88	0.85	0.55	0.49	0.45	0.13
	3	1.90	1.60	0.63	0.51	0.49	0.39	0.35	0.11
MF 750 MFX 750	1	1.08	0.84	0.49	0.36	0.26	0.21	0.19	0.06
MLX 250	2	3.00	3.04	1.46	1.25	1.17	-	-	M25 0.20
MLX 660	2	1.29	1.26	0.52	0.44	0.38	-	-	M25 0.10
CU 025		78.00	48.00	28.00	24.00	9.33	9.33	8.51	1.25
CU 040		25.88	20.88	10.44	10.00	3.78	3.78	3.30	1.25
CU 100		15.20	14.53	5.14	4.95	2.00	2.00	0.17	1.10
CU 250		3.25	2.55	1.55	1.35	0.71	0.71	0.59	0.25
CU 630		1.96	1.68	0.85	0.72	0.42	0.42	0.36	0.09
CU 850		1.06	0.84	0.42	0.33	0.17	0.17	0.13	0.04
MR 100	1	19.00	17.00	6.90	6.30	4.60	2.94	2.52	1.60
	2	11.70	10.80	4.40	4.30	3.00	2.94	2.52	1.37
	3	7.80	6.87	3.70	3.10	2.70	2.14	1.84	1.34
	4	5.50	4.97	2.60	2.40	2.18	1.72	1.47	1.34
	5	4.20	3.84	2.36	2.15	1.90	1.60	1.37	1.34
MR 250	1	5.35	4.85	2.32	1.92	1.50	1.38	1.20	0.15
	2	4.00	3.28	1.44	1.10	1.07	0.96	0.83	0.13
	3	2.60	2.20	1.08	1.00	0.86	0.77	0.64	0.12
	4	1.84	1.56	0.68	0.56	0.44	0.37	0.23	0.11
MR 630	1	3.10	2.48	1.32	1.14	0.92	0.83	0.73	0.09
	2	2.06	1.92	0.82	0.76	0.38	0.33	0.27	0.08
	3	1.48	1.30	0.60	0.56	0.26	0.22	0.17	0.08
	4	1.30	1.20	0.48	0.40	0.25	0.21	0.16	0.08
	5	0.74	0.65	0.30	0.28	0.13	0.10	0.08	0.04
MR 850	1	0.60	0.43	0.34	0.25	0.13	0.12	0.09	0.03
	2	0.37	0.26	0.23	0.21	0.11	0.08	0.07	0.03
	3	0.27	0.18	0.17	0.17	0.05	0.04	0.04	0.02
	4	0.23	0.16	0.13	0.12	0.04	0.03	0.03	0.02

## Return / Suction filters

Filter element	Absolute filtration								
	Type	A10	A16	A25					
RSX 116	1	5.12	4.33	3.85					
	2	2.22	1.87	1.22					
RSX 165	1	2.06	1.75	1.46					
	2	1.24	1.05	0.96					
	3	0.94	0.86	0.61					
Filter element	Absolute filtration N Series								
	Type	A03	A06	A10	A16	A25	P10	P25	M25 M60 M90
CU 110	1	16.25	15.16	8.75	8.14	5.87	2.86	2.65	0.14
	2	12.62	10.44	6.11	6.02	4.16	1.60	1.49	0.12
	3	8.57	7.95	5.07	4.07	2.40	1.24	1.15	0.11
	4	5.76	4.05	2.80	2.36	1.14	0.91	0.85	0.05

## Low & Medium pressure filters

Filter element	Absolute filtration N-W Series					Nominal filtration N Series			
	Type	A03	A06	A10	A16	A25	P10	P25	M25
CU 110	1	16.25	15.16	8.75	8.14	5.87	2.86	2.65	0.14
	2	12.62	10.44	6.11	6.02	4.15	1.60	1.49	0.12
	3	8.57	7.95	5.07	4.07	2.40	1.24	1.15	0.11
	4	5.76	4.05	2.80	2.36	1.14	0.91	0.85	0.05
CU 210	1	5.30	4.80	2.00	1.66	1.32	0.56	0.43	0.12
	2	3.44	2.95	1.24	1.09	0.70	0.42	0.35	0.09
	3	2.40	1.70	0.94	0.84	0.54	0.33	0.23	0.05
DN	016	7.95	7.20	3.00	2.49	1.98	0.84	0.65	0.18
	025	5.00	4.53	1.89	1.57	1.25	0.53	0.41	0.11
	040	3.13	2.66	1.12	0.98	0.63	0.38	0.32	0.08
CU 400	2	3.13	2.55	1.46	1.22	0.78	0.75	0.64	0.19
	3	2.15	1.70	0.94	0.78	0.50	0.40	0.34	0.10
	4	1.60	1.28	0.71	0.61	0.40	0.34	0.27	0.08
	5	1.00	0.83	0.47	0.34	0.20	0.24	0.19	0.06
	6	0.82	0.58	0.30	0.27	0.17	0.22	0.18	0.05
	CU 900	1	0.86	0.63	0.32	0.30	0.21	-	-
CU 950	2	1.03	0.80	0.59	0.40	0.26	-	-	0.05
	3	0.44	0.40	0.27	0.18	0.15	-	-	0.02
MR 630	7	0.88	0.78	0.36	0.34	0.16	0.12	0.96	0.47

**Corrective factor Y to be used for the filter element pressure drop calculation. The values depend to the filter size and length and to the filter media.**  
Reference oil viscosity 30 mm<sup>2</sup>/s

## High pressure filters

Filter element		Absolute filtration N - R Series					Nominal filtration N Series
Type		A03	A06	A10	A16	A25	M25
HP 011	1	332.71	250.07	184.32	152.36	128.36	-
	2	220.28	165.56	74.08	59.13	37.05	-
	3	123.24	92.68	41.48	33.08	20.72	-
	4	77.76	58.52	28.37	22.67	16.17	-
HP 039	2	70.66	53.20	25.77	20.57	14.67	4.90
	3	36.57	32.28	18.00	13.38	8.00	2.90
	4	26.57	23.27	12.46	8.80	5.58	2.20
HP 050	1	31.75	30.30	13.16	12.3	7.29	1.60
	2	24.25	21.26	11.70	9.09	4.90	1.40
	3	17.37	16.25	8.90	7.18	3.63	1.25
	4	12.12	10.75	6.10	5.75	3.08	1.07
	5	7.00	6.56	3.60	3.10	2.25	0.80
HP 065	1	58.50	43.46	23.16	19.66	10.71	1.28
	2	42.60	25.64	16.22	13.88	7.32	1.11
	3	20.50	15.88	8.18	6.81	3.91	0.58
HP 135	1	20.33	18.80	9.71	8.66	4.78	2.78
	2	11.14	10.16	6.60	6.38	2.22	1.11
	3	6.48	6.33	3.38	3.16	2.14	1.01
HP 150	1	17.53	15.91	7.48	6.96	5.94	1.07
	2	8.60	8.37	3.54	3.38	3.15	0.58
	3	6.53	5.90	2.93	2.79	2.12	0.49
HP 320	1	10.88	9.73	5.02	3.73	2.54	1.04
	2	4.40	3.83	1.75	1.48	0.88	0.71
	3	2.75	2.11	1.05	0.87	0.77	0.61
	4	2.12	1.77	0.98	0.78	0.55	0.47
HP 500	1	4.44	3.67	2.30	2.10	1.65	0.15
	2	3.37	2.77	1.78	1.68	1.24	0.10
	3	2.22	1.98	1.11	1.09	0.75	0.08
	4	1.81	1.33	0.93	0.86	0.68	0.05
	5	1.33	1.15	0.77	0.68	0.48	0.04

Filter element		Absolute filtration N Series					Nominal filtration N Series
Type		A03	A06	A10	A16	A25	M25
HF 320	1	3.65	2.95	2.80	1.80	0.90	0.38
	2	2.03	1.73	1.61	1.35	0.85	0.36
	3	1.84	1.42	1.32	1.22	0.80	0.35

## Suction filters

Filter element	Nominal filtration N Series	
Type	P10	P25
SF 250	65	21

## Stainless steel high pressure filters

Filter element		Absolute filtration N Series				
Type		A03	A06	A10	A16	A25
HP 011	1	332.71	250.07	184.32	152.36	128.36
	2	220.28	165.56	74.08	59.13	37.05
	3	123.24	92.68	41.48	33.08	20.72
	4	77.76	58.52	28.37	22.67	16.17
HP 039	2	70.66	53.20	25.77	20.57	14.67
	3	36.57	32.28	18.00	13.38	8.00
	4	26.57	23.27	12.46	8.80	5.58
HP 050	1	31.75	30.30	13.16	12.3	7.29
	2	24.25	21.26	11.70	9.09	4.90
	3	17.37	16.25	8.90	7.18	3.63
	4	12.12	10.75	6.10	5.75	3.08
	5	7.00	6.56	3.60	3.10	2.25
HP 135	1	20.33	18.80	9.71	8.66	4.78
	2	11.14	10.16	6.60	6.38	2.22
	3	6.48	6.33	3.38	3.16	2.14

Filter element		Absolute filtration H - U Series				
Type		A03	A06	A10	A16	A25
HP 011	1	424.58	319.74	235.17	194.44	163.78
	2	281.06	211.25	94.53	75.45	47.26
	3	130.14	97.50	43.63	34.82	21.81
	4	109.39	82.25	36.79	29.37	18.40
HP 039	2	70.66	53.20	25.77	20.57	14.67
	3	36.57	32.28	18.00	13.38	8.00
	4	26.57	23.27	12.46	8.80	5.58
HP 050	1	47.33	34.25	21.50	20.50	14.71
	2	29.10	25.95	14.04	10.90	5.88
	3	20.85	19.50	10.68	8.61	4.36
	4	14.55	12.90	7.32	6.90	3.69
	5	9.86	9.34	6.40	4.80	2.50
HP 135	1	29.16	25.33	13.00	12.47	5.92
	2	14.28	11.04	7.86	7.60	4.44
	3	8.96	7.46	4.89	4.16	3.07

# FILTER SIZING Selection Software

**Step 1** Select "FILTERS"



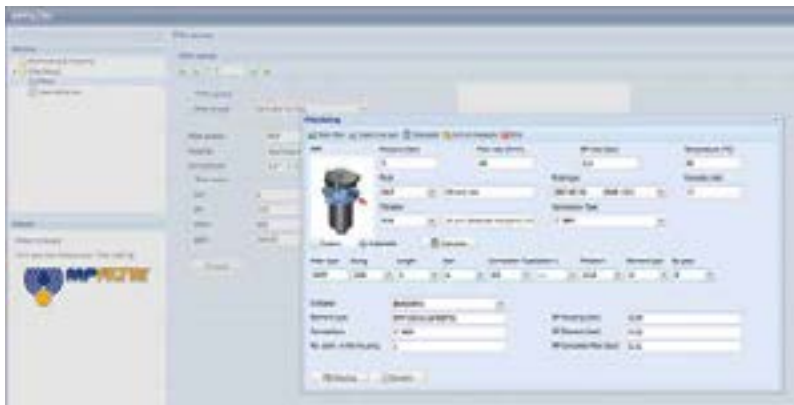
**Step 2** Choose filter group (Return Filter, Pressure Filter, etc.)



**Step 3** Choose filter type (MPF, MPT, etc.) in function of the max working pressure and the max flow rate



**Step 4** Push "PROCEED"



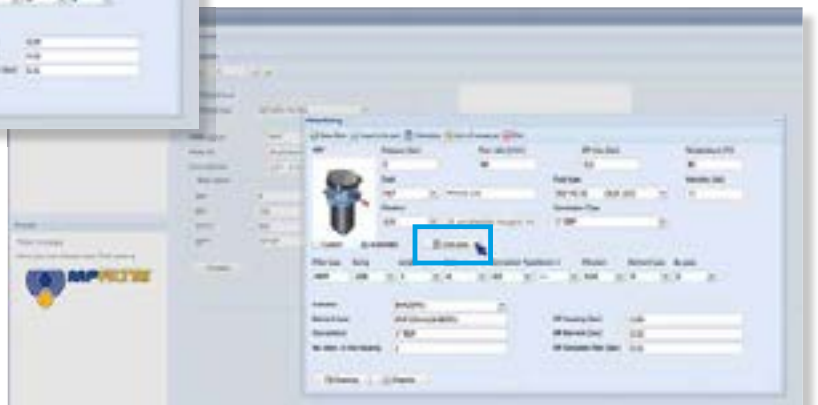
**Step 5**

Insert all application data to calculate the filter size following the sequence:

- working pressure
- working flow rate
- working pressure drop
- working temperature
- fluid material and fluid type
- filtration media
- connection type

**Step 6**

Push "CALCULATE" to have result; in case of any mistake, the system will advice which parameter is out of range to allow to modify/adjust the selection



**Step 7**

Download PDF Datasheet "Report.aspx" pushing the button "Drawing"



# LMP 902-903 series

Filter element according to DIN 24550

Maximum working pressure up to 2 MPa (20 bar) - Flow rate up to 3000 l/min



# LMP902-903 GENERAL INFORMATION

## Filter element according to DIN 24550

### Description

#### Low & Medium Pressure filters

**Maximum working pressure up to 2 MPa (20 bar)**  
**Flow rate up to 3000 l/min**

LMP902 and LMP903 are ranges of low pressure filter with large filtration surface mainly suitable for lubrication, off-line filtration of the reservoirs and filtration equipment.

Multiple LMP950 filters are connected to a manifold to reduce the pressure drop caused by the filter media and to increase the life time of the filter element.

They are directly connected to the lines of the system through the hydraulic fittings.

#### Available features:

- 4" flanged connections, for a maximum flow rate of 3000 l/min
- Filter element designed in accordance with DIN 24550 regulation
- Fine filtration rating, to get a good cleanliness level into the system
- Water removal elements, to remove the free water from the hydraulic fluid
- Bypass valve, to relieve excessive pressure drop across the filter media
- Vent ports, to avoid air trapped into the filter going into the system
- Drain ports, to remove the fluid from the housing prior the maintenance work
- Visual, electrical and electronic differential clogging indicators

#### Common applications:

- Off-line filtration of reservoirs
- Filtration systems

### Technical data

#### Filter housing materials

- Head: Anodized Aluminium
- Housing: Anodized Aluminium
- Manifolds: Welded - Phosphatized Steel
- Bypass valve: Steel
- Size 1000 filter elements complying with DIN 24550 standard

#### Pressure

- Test pressure: 3.5 MPa (35 bar)

#### Bypass valve

- Opening pressure 350 kPa (3.5 bar)  $\pm 10\%$
- Other opening pressures on request.

#### Number of filter elements

- LMP 902: 4 filter elements CU900
- LMP 903: 6 filter elements CU900

#### Filter elements

- Filter element in accordance with DIN 24550
- Size: 1000

#### $\Delta p$ element type

- Microfibre filter elements - series N: 20 bar
- Fluid flow through the filter element from OUT to IN.

#### Connections

- LMP 902-903: In-line Inlet/Outlet

#### Seals

- Standard NBR series A
- Optional FPM series V

#### Temperature

- From -25 °C to +110 °C

#### Note

- LMP 902 - 903 filters are provided for vertical mounting



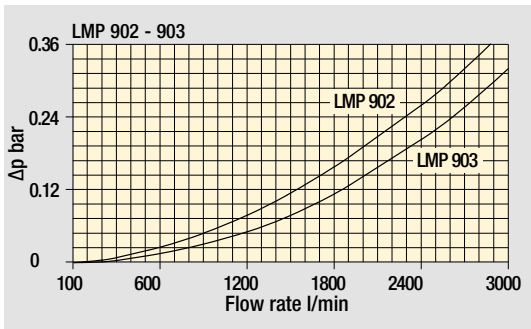
### Weights [kg] and volumes [dm<sup>3</sup>]

Filter series	Weights [kg]		Volumes [dm <sup>3</sup> ]	
	Length	2	Length	2
<b>LMP 902</b>		89.6		58
<b>LMP 903</b>		129.2		87

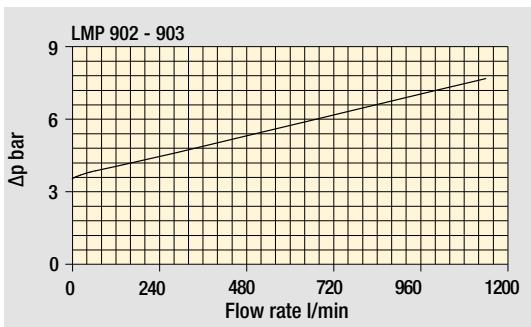


Pressure drop

Filter housings  $\Delta p$  pressure drop



Bypass valve pressure drop



The curves are plotted using mineral oil with density of  $0.86 \text{ kg/dm}^3$  in compliance with ISO 3968.  $\Delta p$  varies proportionally with density.

Flow rates [l/min]

Filter series	Length	Filter element design - N Series						
		A03	A06	A10	A16	A25	M25 M60 M90 M250	
<b>LMP 902</b>	<b>2</b>	2217	2576	3241	3282	3506	3987	
<b>LMP 903</b>	<b>2</b>	2838	3170	3720	3755	3926	4278	

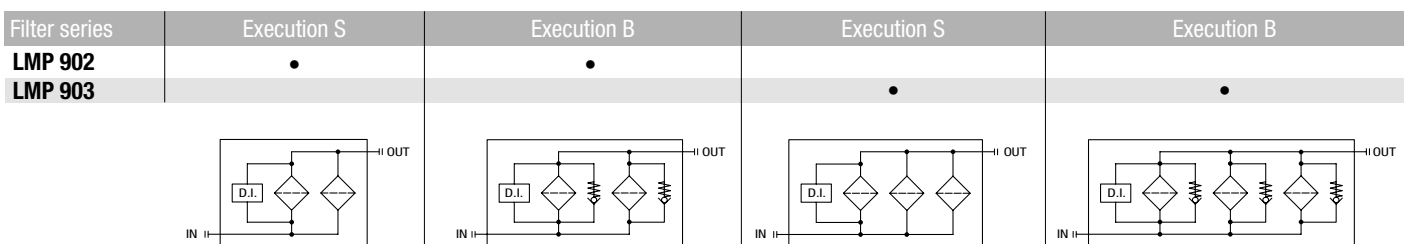
**Maximum flow rate for a complete low and medium pressure filter with a pressure drop  $\Delta p = 0.7 \text{ bar}$ .**

The reference fluid has a kinematic viscosity of  $30 \text{ mm}^2/\text{s}$  (cSt) and a density of  $0.86 \text{ kg/dm}^3$ .

For different pressure drop or fluid viscosity we recommend to use our selection software available on [www.mpfiltri.com](http://www.mpfiltri.com).

Please, contact our Sales Department for further additional information.

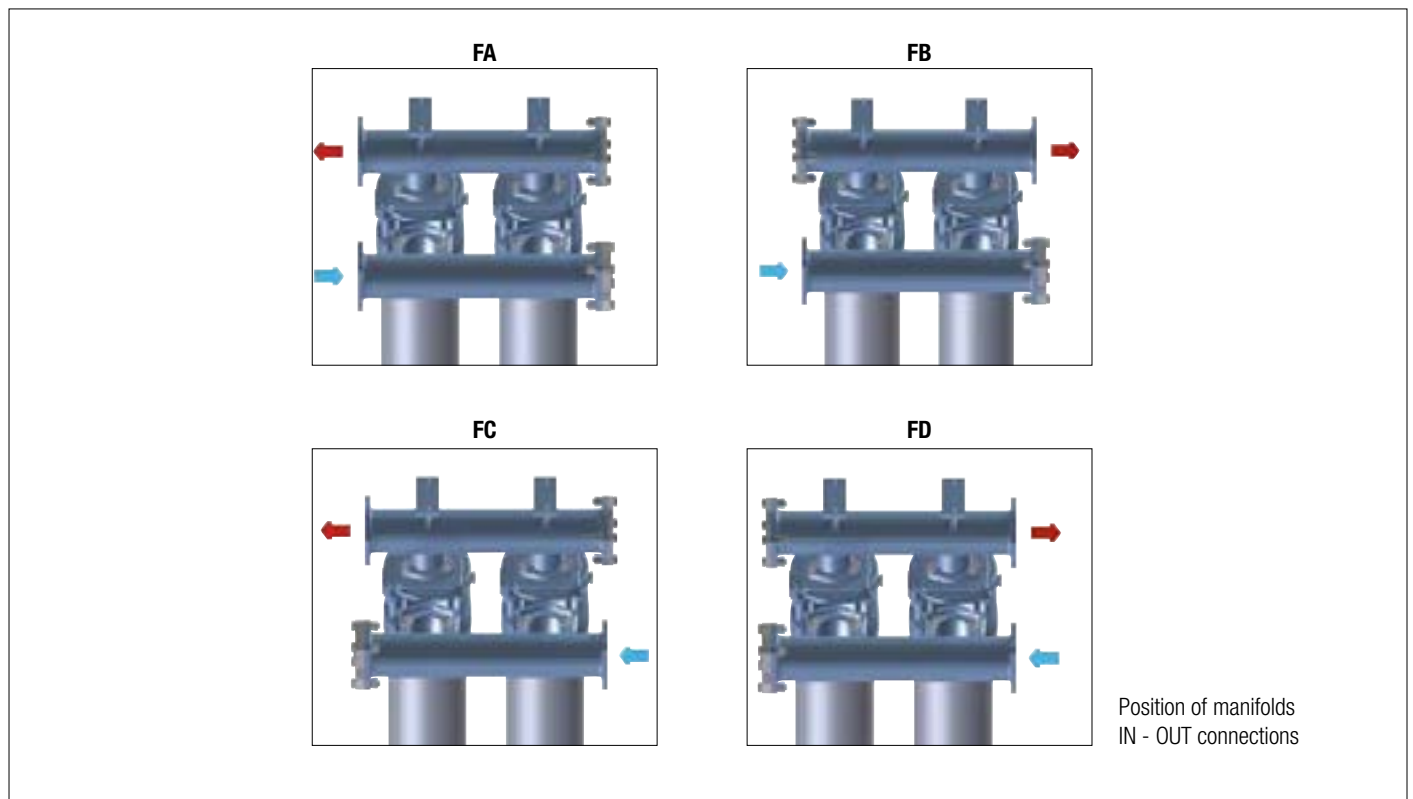
Hydraulic symbols



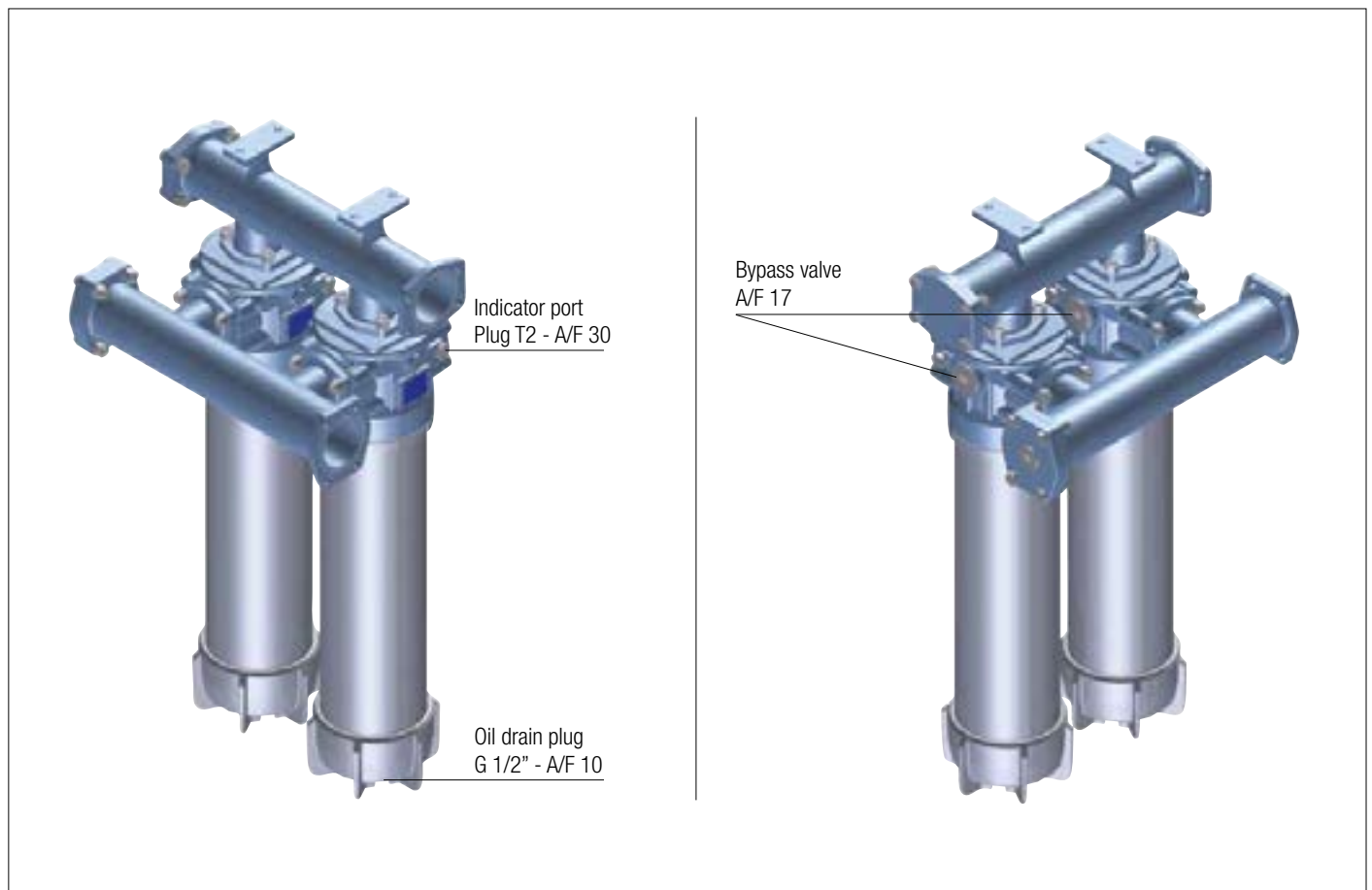
# LMP902-903 GENERAL INFORMATION

Filter element according to DIN 24550

## Manifolds



## Focus on





# LMP902-903 Filter element according to DIN 24550

Designation & Ordering code

## COMPLETE FILTER

<b>Series and size</b>		Configuration example: <b>LMP902</b>   <b>2</b>   <b>B</b>   <b>A</b>   <b>FA</b>   <b>A10</b>   <b>N</b>   <b>P01</b>							
<b>LMP902</b>   <b>LMP903</b>									
<b>Length</b>		2							
<b>Bypass valve</b>		<b>S</b> Without bypass   <b>B</b> 3.5 bar							
<b>Seals and treatments</b>		<b>A</b> NBR <b>V</b> FPM							
<b>Connections</b>		<b>IN</b>		<b>OUT</b>					
<b>FA</b>	4" SAE 3000 psi	left		left					
<b>FB</b>	4" SAE 3000 psi	left		right					
<b>FC</b>	4" SAE 3000 psi	right		left					
<b>FD</b>	4" SAE 3000 psi	right		right					
<b>Filtration rating (filter media)</b>									
<b>A03</b>	Inorganic microfiber 3 µm	<b>M25</b>		Wire mesh 25 µm					
<b>A06</b>	Inorganic microfiber 6 µm	<b>M60</b>		Wire mesh 60 µm					
<b>A10</b>	Inorganic microfiber 10 µm	<b>M90</b>		Wire mesh 90 µm					
<b>A16</b>	Inorganic microfiber 16 µm								
<b>A25</b>	Inorganic microfiber 25 µm								
<b>WA025</b>		Water absorber inorganic microfiber		25 µm					
						<b>Element Δp</b>		<b>Execution</b>	
						<b>N</b> 20 bar		<b>P01</b> MP Filtri standard <b>Pxx</b> Customized	

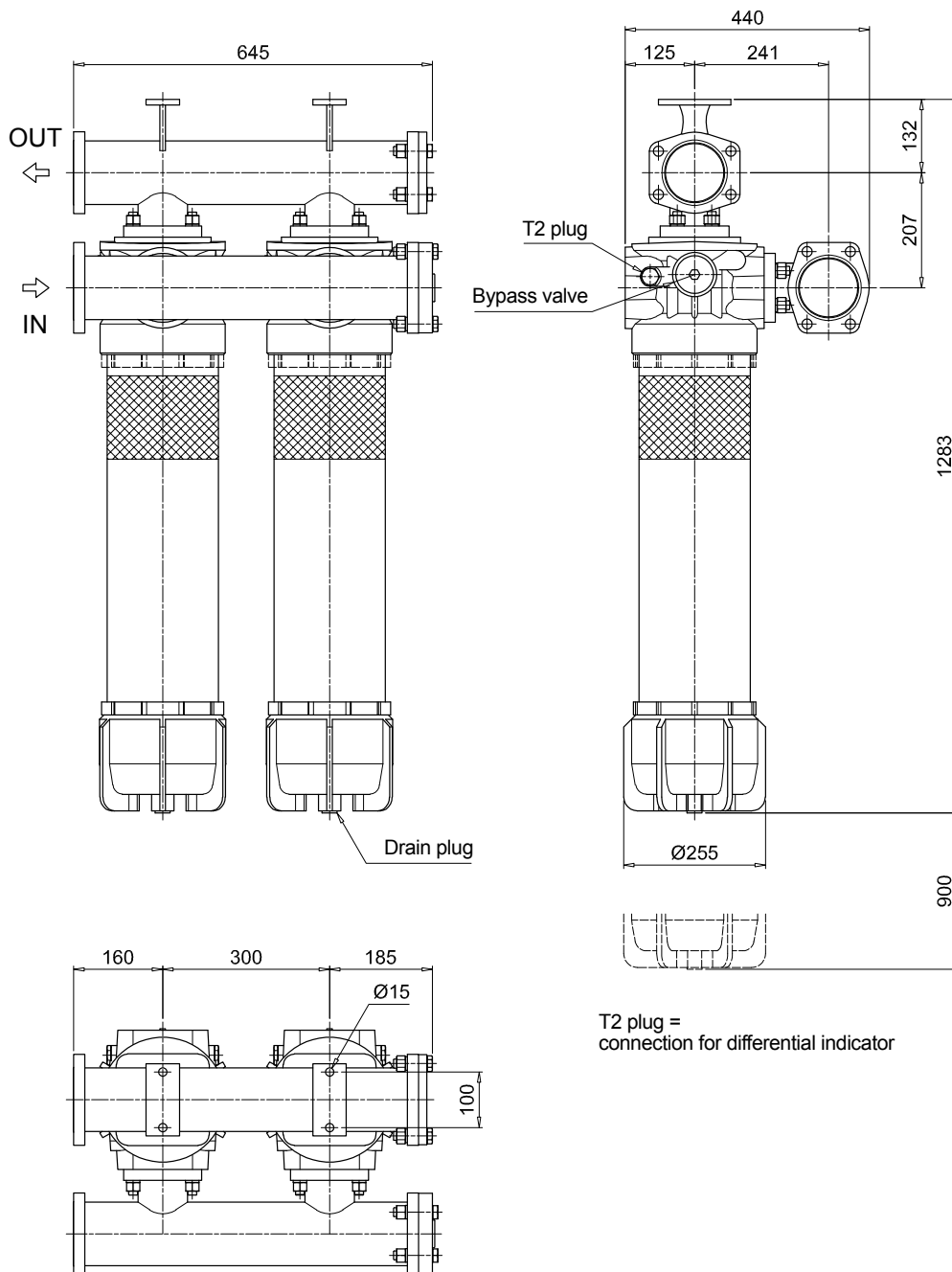
## FILTER ELEMENT

<b>Element series and size</b>		Configuration example: <b>CU900</b>   <b>A10</b>   <b>A</b>   <b>N</b>   <b>P01</b>							
<b>CU900</b>									
<b>Filter series and size</b>									
<b>LMP902</b>	Nr. 4 filter elements								
<b>LMP903</b>	Nr. 6 filter elements								
<b>Filtration rating (filter media)</b>									
<b>A03</b>	Inorganic microfiber 3 µm	<b>M25</b>		Wire mesh 25 µm					
<b>A06</b>	Inorganic microfiber 6 µm	<b>M60</b>		Wire mesh 60 µm					
<b>A10</b>	Inorganic microfiber 10 µm	<b>M90</b>		Wire mesh 90 µm					
<b>A16</b>	Inorganic microfiber 16 µm								
<b>A25</b>	Inorganic microfiber 25 µm								
<b>WA025</b>		Water absorber inorganic microfiber		25 µm					
<b>Seals</b>		<b>A</b> NBR <b>V</b> FPM							
						<b>Element Δp</b>		<b>Execution</b>	
						<b>N</b> 20 bar		<b>P01</b> MP Filtri standard <b>Pxx</b> Customized	

## ACCESSORIES

<b>Differential indicators</b>		page		page	
<b>DEA</b>	Electrical differential indicator	445	<b>DTA</b>	Electronic differential indicator	448
<b>DEM</b>	Electrical differential indicator	445-446	<b>DVA</b>	Visual differential indicator	448
<b>DLA</b>	Electrical / visual differential indicator	446-447	<b>DVM</b>	Visual differential indicator	448
<b>DLE</b>	Electrical / visual differential indicator	447			
<b>Additional features</b>		page			
<b>T2</b>	Plug	449			

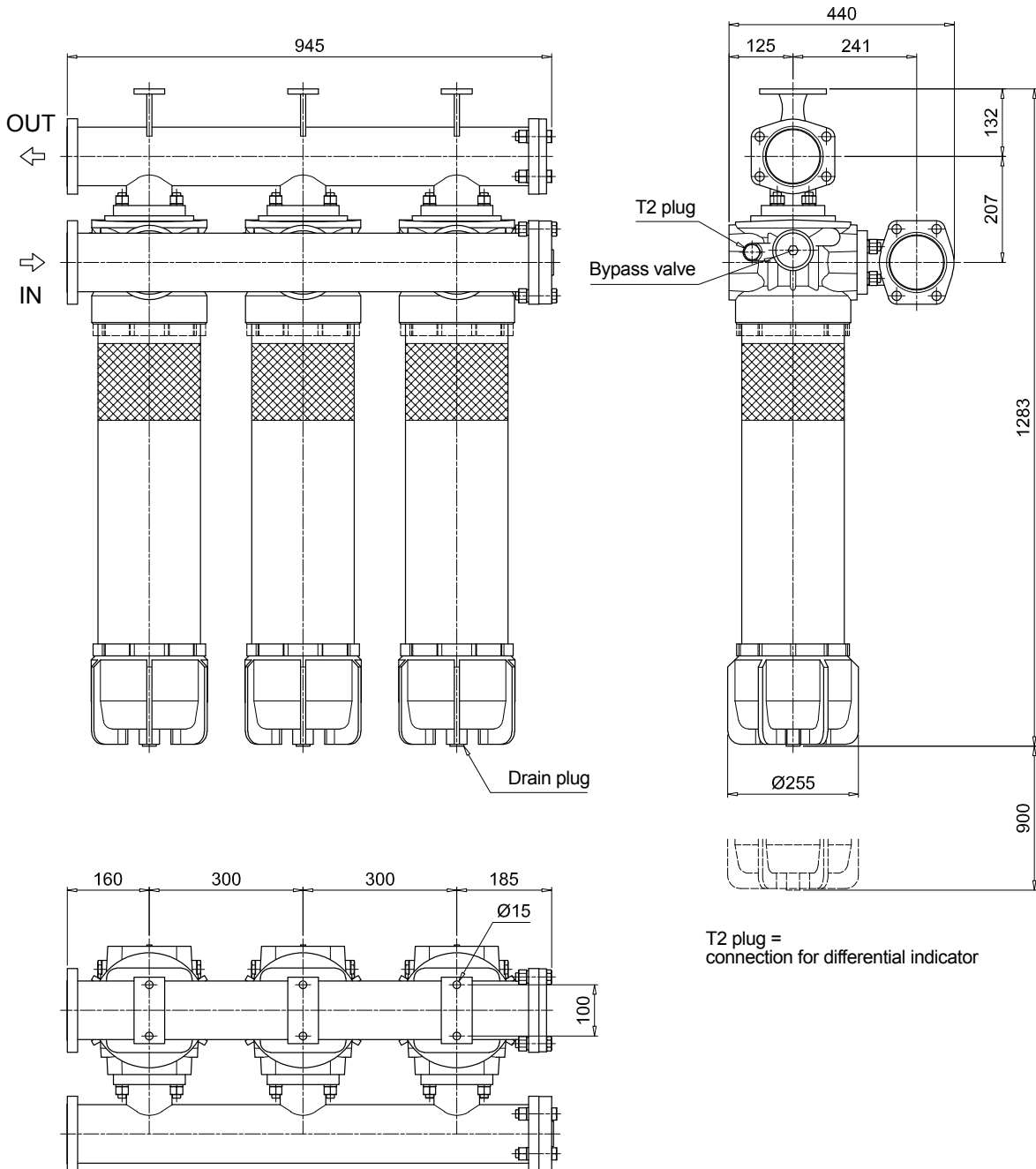
LMP902



# LMP902-903 Filter element according to DIN 24550

## Dimensions

LMP903



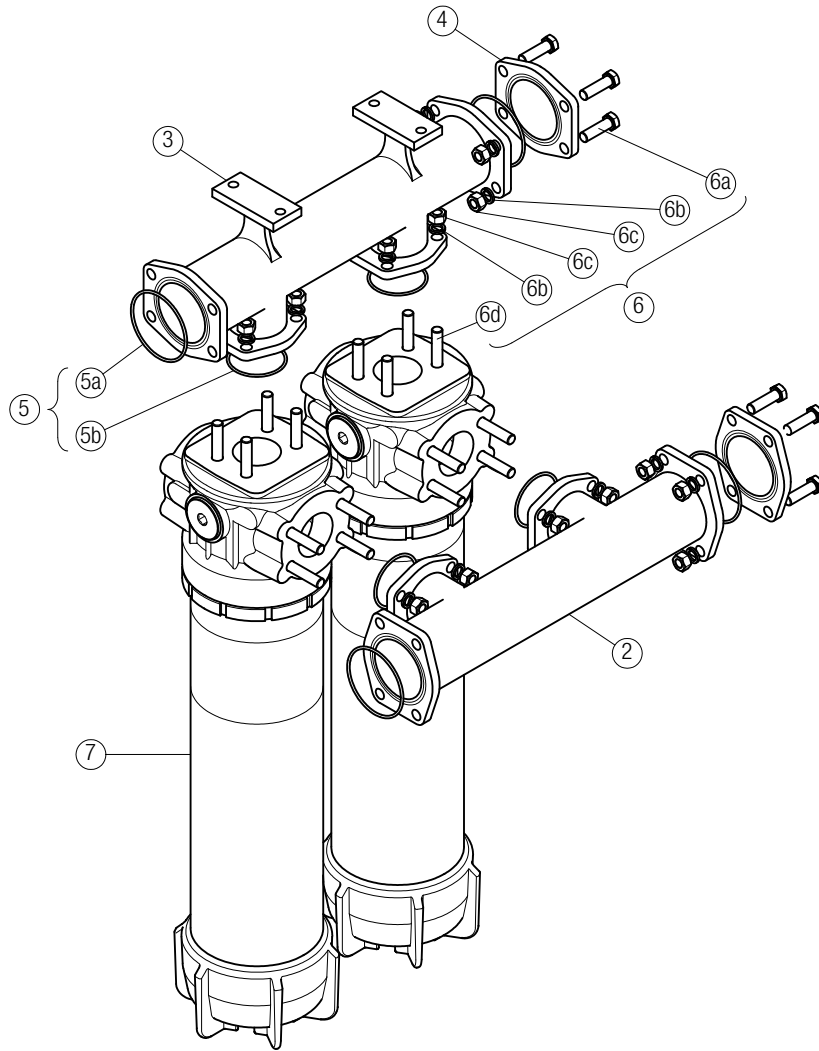
T2 plug =  
connection for differential indicator



# SPARE PARTS LMP902-903

Order number for spare parts

LMP 902 - 903



Item 7:  
for complete filter code and  
spare parts, see  
LMP 900 - 901 series chapter

Quantity:  
- filter spare parts:  
LMP 902 - 2 pcs.  
LMP 903 - 3 pcs.

- filter seal kit:  
LMP 902 - 2 pcs.  
LMP 903 - 3 pcs.

Item:	2		3	4		5 (5a-5b)			6 (6a ÷ 6d)		7		
Filter series	Q.ty	Manifold IN	OUT	Q.ty	4" SAE 3000 psi plugged flange	Q.ty	Manifolds seal kit		Q.ty	Threaded fasteners kit		Q.ty	Filter
							NBR	FPM					
LMP 902	1 pc.	01039270	01039271	2 pcs.	01042012	1 pc.	02050404	02050405	1 pc.	02049051	2 pcs.	LMP9012xxF1xxxNP02	
LMP 903	1 pc.	01039337	01039338	2 pcs.		1 pc.	02050404	02050405	1 pc.	02049052	3 pcs.		