

LMP 400-401 & 430-431 series

Maximum working pressure up to 6 MPa (60 bar) - Flow rate up to 740 l/min



FILTER SIZING

INDEX

	Page
CALCULATION	23
CORRECTIVE FACTOR	24

THE CORRECT FILTER SIZING HAVE TO BE BASED ON THE TOTAL PRESSURE DROP DEPENDING BY THE APPLICATION.

FOR EXAMPLE, THE MAXIMUM TOTAL PRESSURE DROP ALLOWED BY A NEW AND CLEAN RETURN FILTER HAVE TO BE IN THE RANGE 0.4 ÷ 0.6 bar.

The pressure drop calculation is performed by adding together the value of the housing with the value of the filter element. The pressure drop Δp_c of the housing is proportional to the fluid density (kg/dm^3); all the graphs in the catalogue are referred to mineral oil with density of $0.86 \text{ kg}/\text{dm}^3$.

The filter element pressure drop Δp_e is proportional to its viscosity (mm^2/s), the corrective factor Y have to be used in case of an oil viscosity different than $30 \text{ mm}^2/\text{s}$ (cSt).

Sizing data for single filter element, head at top

Δp_c = Filter housing pressure drop [bar]

Δp_e = Filter element pressure drop [bar]

Y = Corrective factor Y (see correspondent table), depending on the filter type, on the filter element size, on the filter element length and on the filter media

Q = flow rate (l/min)

V1 reference oil viscosity = $30 \text{ mm}^2/\text{s}$ (cSt)

V2 = operating oil viscosity in mm^2/s (cSt)

Filter element pressure drop calculation with an oil viscosity different than $30 \text{ mm}^2/\text{s}$ (cSt)

$\Delta p_e = Y : 1000 \times Q \times (V2:V1)$

$\Delta p_{\text{Tot.}} = \Delta p_c + \Delta p_e$

Verification formula

$\Delta p_{\text{Tot.}} \leq \Delta p_{\text{max allowed}}$

Maximum total pressure drop (Δp_{max}) allowed by a new and clean filter

Application	Range (bar)
Suction filters	0.08 ÷ 0.10
Return filters	0.4 ÷ 0.6
	0.4 ÷ 0.6 return lines
	0.3 ÷ 0.5 lubrication lines
Low & Medium Pressure filters	0.3 ÷ 0.4 off-line in power systems
	0.1 ÷ 0.3 off-line in test benches
	0.4 ÷ 0.6 over-boost
High Pressure filters	0.8 ÷ 1.5
Stainless Steel filters	0.8 ÷ 1.5

Generic filter calculation example

Application data:

Tank top return filter

Pressure Pmax = 10 bar

Flow rate Q = 120 l/min

Viscosity V2 = $46 \text{ mm}^2/\text{s}$ (cSt)

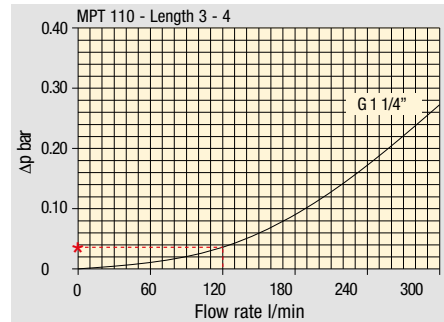
Oil density = $0.86 \text{ kg}/\text{dm}^3$

Required filtration efficiency = $25 \mu\text{m}$ with absolute filtration

With bypass valve and G 1 1/4" inlet connection

Calculation:

$\Delta p_c = 0.03 \text{ bar}$ (see graphic below)



Filter housings Δp pressure drop. The curves are plotted using mineral oil with density of $0.86 \text{ kg}/\text{dm}^3$ in compliance with ISO 3968. Δp varies proportionally with density.

$\Delta p_e = (2.00 : 1000) \times 120 \times (46 : 30) = 0.37 \text{ bar}$

Filter element	Absolute filtration H Series					Nominal filtration N Series		
	A03	A06	A10	A16	A25	P10	P25	M25 M60 M90
Type								
Return filters								
MF 020	74.00	50.08	20.00	16.00	9.00	6.43	5.51	4.40
	2	29.20	24.12	8.00	7.22	5.00	3.33	2.85
	3	22.00	19.00	6.56	5.33	4.33	1.68	1.44
MF 030	74.00	50.08	20.00	16.00	9.00	6.43	5.51	3.40
MFX 030	1	28.20	24.40	8.67	8.17	6.88	4.62	3.96
	2	17.33	12.50	6.86	5.70	4.00	3.05	2.47
	3	10.25	9.00	3.65	3.33	2.50	1.63	1.32
	4	6.10	5.40	2.30	2.20	2.00	1.19	0.96

$\Delta p_{\text{Tot.}} = 0.03 + 0.37 = 0.4 \text{ bar}$

The selection is correct because the total pressure drop value is inside the admissible range for top tank return filters.

In case the allowed max total pressure drop is not verified, it is necessary to repeat the calculation changing the filter length/size.

FILTER SIZING Corrective factor

Corrective factor Y to be used for the filter element pressure drop calculation. The values depend to the filter size and length and to the filter media.
Reference oil viscosity 30 mm²/s

Return filters

Filter element	Absolute filtration H Series					Nominal filtration N Series			
	Type	A03	A06	A10	A16	A25	P10	P25	M25 M60 M90
MF 020	1	74.00	50.08	20.00	16.00	9.00	6.43	5.51	4.40
	2	29.20	24.12	8.00	7.22	5.00	3.33	2.85	2.00
	3	22.00	19.00	6.56	5.33	4.33	1.68	1.44	1.30
MF 030 MFX 030	1	74.00	50.08	20.00	16.00	9.00	6.43	5.51	3.40
MF 100 MFX 100	1	28.20	24.40	8.67	8.17	6.88	4.62	3.96	1.25
	2	17.33	12.50	6.86	5.70	4.00	3.05	2.47	1.10
	3	10.25	9.00	3.65	3.33	2.50	1.63	1.32	0.96
	4	6.10	5.40	2.30	2.20	2.00	1.19	0.96	0.82
MF 180 MFX 180	1	3.67	3.05	1.64	1.56	1.24	1.18	1.06	0.26
	2	1.69	1.37	0.68	0.54	0.51	0.43	0.39	0.12
MF 190 MFX 190	2	1.69	1.37	0.60	0.49	0.44	0.35	0.31	0.11
MF 400 MFX 400	1	3.20	2.75	1.39	1.33	1.06	0.96	0.87	0.22
	2	2.00	1.87	0.88	0.85	0.55	0.49	0.45	0.13
	3	1.90	1.60	0.63	0.51	0.49	0.39	0.35	0.11
MF 750 MFX 750	1	1.08	0.84	0.49	0.36	0.26	0.21	0.19	0.06
MLX 250	2	3.00	3.04	1.46	1.25	1.17	-	-	M25 0.20
MLX 660	2	1.29	1.26	0.52	0.44	0.38	-	-	M25 0.10
CU 025		78.00	48.00	28.00	24.00	9.33	9.33	8.51	1.25
CU 040		25.88	20.88	10.44	10.00	3.78	3.78	3.30	1.25
CU 100		15.20	14.53	5.14	4.95	2.00	2.00	0.17	1.10
CU 250		3.25	2.55	1.55	1.35	0.71	0.71	0.59	0.25
CU 630		1.96	1.68	0.85	0.72	0.42	0.42	0.36	0.09
CU 850		1.06	0.84	0.42	0.33	0.17	0.17	0.13	0.04
MR 100	1	19.00	17.00	6.90	6.30	4.60	2.94	2.52	1.60
	2	11.70	10.80	4.40	4.30	3.00	2.94	2.52	1.37
	3	7.80	6.87	3.70	3.10	2.70	2.14	1.84	1.34
	4	5.50	4.97	2.60	2.40	2.18	1.72	1.47	1.34
	5	4.20	3.84	2.36	2.15	1.90	1.60	1.37	1.34
MR 250	1	5.35	4.85	2.32	1.92	1.50	1.38	1.20	0.15
	2	4.00	3.28	1.44	1.10	1.07	0.96	0.83	0.13
	3	2.60	2.20	1.08	1.00	0.86	0.77	0.64	0.12
	4	1.84	1.56	0.68	0.56	0.44	0.37	0.23	0.11
MR 630	1	3.10	2.48	1.32	1.14	0.92	0.83	0.73	0.09
	2	2.06	1.92	0.82	0.76	0.38	0.33	0.27	0.08
	3	1.48	1.30	0.60	0.56	0.26	0.22	0.17	0.08
	4	1.30	1.20	0.48	0.40	0.25	0.21	0.16	0.08
	5	0.74	0.65	0.30	0.28	0.13	0.10	0.08	0.04
MR 850	1	0.60	0.43	0.34	0.25	0.13	0.12	0.09	0.03
	2	0.37	0.26	0.23	0.21	0.11	0.08	0.07	0.03
	3	0.27	0.18	0.17	0.17	0.05	0.04	0.04	0.02
	4	0.23	0.16	0.13	0.12	0.04	0.03	0.03	0.02

Return / Suction filters

Filter element	Absolute filtration								
	Type	A10	A16	A25					
RSX 116	1	5.12	4.33	3.85					
	2	2.22	1.87	1.22					
RSX 165	1	2.06	1.75	1.46					
	2	1.24	1.05	0.96					
	3	0.94	0.86	0.61					
Filter element	Absolute filtration N Series								
	Type	A03	A06	A10	A16	A25	P10	P25	M25 M60 M90
CU 110	1	16.25	15.16	8.75	8.14	5.87	2.86	2.65	0.14
	2	12.62	10.44	6.11	6.02	4.16	1.60	1.49	0.12
	3	8.57	7.95	5.07	4.07	2.40	1.24	1.15	0.11
	4	5.76	4.05	2.80	2.36	1.14	0.91	0.85	0.05

Low & Medium pressure filters

Filter element	Absolute filtration N-W Series					Nominal filtration N Series			
	Type	A03	A06	A10	A16	A25	P10	P25	M25
CU 110	1	16.25	15.16	8.75	8.14	5.87	2.86	2.65	0.14
	2	12.62	10.44	6.11	6.02	4.15	1.60	1.49	0.12
	3	8.57	7.95	5.07	4.07	2.40	1.24	1.15	0.11
	4	5.76	4.05	2.80	2.36	1.14	0.91	0.85	0.05
CU 210	1	5.30	4.80	2.00	1.66	1.32	0.56	0.43	0.12
	2	3.44	2.95	1.24	1.09	0.70	0.42	0.35	0.09
	3	2.40	1.70	0.94	0.84	0.54	0.33	0.23	0.05
DN	016	7.95	7.20	3.00	2.49	1.98	0.84	0.65	0.18
	025	5.00	4.53	1.89	1.57	1.25	0.53	0.41	0.11
	040	3.13	2.66	1.12	0.98	0.63	0.38	0.32	0.08
CU 400	2	3.13	2.55	1.46	1.22	0.78	0.75	0.64	0.19
	3	2.15	1.70	0.94	0.78	0.50	0.40	0.34	0.10
	4	1.60	1.28	0.71	0.61	0.40	0.34	0.27	0.08
	5	1.00	0.83	0.47	0.34	0.20	0.24	0.19	0.06
	6	0.82	0.58	0.30	0.27	0.17	0.22	0.18	0.05
	CU 900	1	0.86	0.63	0.32	0.30	0.21	-	-
CU 950	2	1.03	0.80	0.59	0.40	0.26	-	-	0.05
	3	0.44	0.40	0.27	0.18	0.15	-	-	0.02
MR 630	7	0.88	0.78	0.36	0.34	0.16	0.12	0.96	0.47

Corrective factor Y to be used for the filter element pressure drop calculation. The values depend to the filter size and length and to the filter media.
Reference oil viscosity 30 mm²/s

High pressure filters

Filter element		Absolute filtration N - R Series					Nominal filtration N Series
Type		A03	A06	A10	A16	A25	M25
HP 011	1	332.71	250.07	184.32	152.36	128.36	-
	2	220.28	165.56	74.08	59.13	37.05	-
	3	123.24	92.68	41.48	33.08	20.72	-
	4	77.76	58.52	28.37	22.67	16.17	-
HP 039	2	70.66	53.20	25.77	20.57	14.67	4.90
	3	36.57	32.28	18.00	13.38	8.00	2.90
	4	26.57	23.27	12.46	8.80	5.58	2.20
HP 050	1	31.75	30.30	13.16	12.3	7.29	1.60
	2	24.25	21.26	11.70	9.09	4.90	1.40
	3	17.37	16.25	8.90	7.18	3.63	1.25
	4	12.12	10.75	6.10	5.75	3.08	1.07
	5	7.00	6.56	3.60	3.10	2.25	0.80
HP 065	1	58.50	43.46	23.16	19.66	10.71	1.28
	2	42.60	25.64	16.22	13.88	7.32	1.11
	3	20.50	15.88	8.18	6.81	3.91	0.58
HP 135	1	20.33	18.80	9.71	8.66	4.78	2.78
	2	11.14	10.16	6.60	6.38	2.22	1.11
	3	6.48	6.33	3.38	3.16	2.14	1.01
HP 150	1	17.53	15.91	7.48	6.96	5.94	1.07
	2	8.60	8.37	3.54	3.38	3.15	0.58
	3	6.53	5.90	2.93	2.79	2.12	0.49
HP 320	1	10.88	9.73	5.02	3.73	2.54	1.04
	2	4.40	3.83	1.75	1.48	0.88	0.71
	3	2.75	2.11	1.05	0.87	0.77	0.61
	4	2.12	1.77	0.98	0.78	0.55	0.47
HP 500	1	4.44	3.67	2.30	2.10	1.65	0.15
	2	3.37	2.77	1.78	1.68	1.24	0.10
	3	2.22	1.98	1.11	1.09	0.75	0.08
	4	1.81	1.33	0.93	0.86	0.68	0.05
	5	1.33	1.15	0.77	0.68	0.48	0.04

Filter element		Absolute filtration N Series					Nominal filtration N Series
Type		A03	A06	A10	A16	A25	M25
HF 320	1	3.65	2.95	2.80	1.80	0.90	0.38
	2	2.03	1.73	1.61	1.35	0.85	0.36
	3	1.84	1.42	1.32	1.22	0.80	0.35

Suction filters

Filter element	Nominal filtration N Series	
Type	P10	P25
SF 250	65	21

Stainless steel high pressure filters

Filter element		Absolute filtration N Series				
Type		A03	A06	A10	A16	A25
HP 011	1	332.71	250.07	184.32	152.36	128.36
	2	220.28	165.56	74.08	59.13	37.05
	3	123.24	92.68	41.48	33.08	20.72
	4	77.76	58.52	28.37	22.67	16.17
HP 039	2	70.66	53.20	25.77	20.57	14.67
	3	36.57	32.28	18.00	13.38	8.00
	4	26.57	23.27	12.46	8.80	5.58
HP 050	1	31.75	30.30	13.16	12.3	7.29
	2	24.25	21.26	11.70	9.09	4.90
	3	17.37	16.25	8.90	7.18	3.63
	4	12.12	10.75	6.10	5.75	3.08
	5	7.00	6.56	3.60	3.10	2.25
HP 135	1	20.33	18.80	9.71	8.66	4.78
	2	11.14	10.16	6.60	6.38	2.22
	3	6.48	6.33	3.38	3.16	2.14

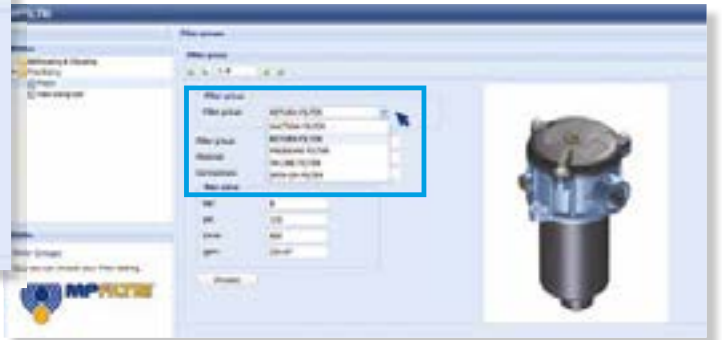
Filter element		Absolute filtration H - U Series				
Type		A03	A06	A10	A16	A25
HP 011	1	424.58	319.74	235.17	194.44	163.78
	2	281.06	211.25	94.53	75.45	47.26
	3	130.14	97.50	43.63	34.82	21.81
	4	109.39	82.25	36.79	29.37	18.40
HP 039	2	70.66	53.20	25.77	20.57	14.67
	3	36.57	32.28	18.00	13.38	8.00
	4	26.57	23.27	12.46	8.80	5.58
HP 050	1	47.33	34.25	21.50	20.50	14.71
	2	29.10	25.95	14.04	10.90	5.88
	3	20.85	19.50	10.68	8.61	4.36
	4	14.55	12.90	7.32	6.90	3.69
	5	9.86	9.34	6.40	4.80	2.50
HP 135	1	29.16	25.33	13.00	12.47	5.92
	2	14.28	11.04	7.86	7.60	4.44
	3	8.96	7.46	4.89	4.16	3.07

FILTER SIZING Selection Software

Step 1 Select "FILTERS"



Step 2 Choose filter group (Return Filter, Pressure Filter, etc.)



Step 3 Choose filter type (MPF, MPT, etc.) in function of the max working pressure and the max flow rate



Step 4 Push "PROCEED"



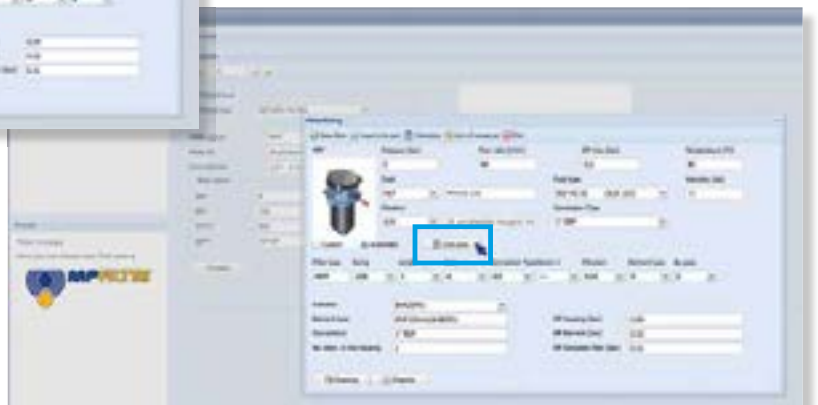
Step 5

Insert all application data to calculate the filter size following the sequence:

- working pressure
- working flow rate
- working pressure drop
- working temperature
- fluid material and fluid type
- filtration media
- connection type

Step 6

Push "CALCULATE" to have result; in case of any mistake, the system will advice which parameter is out of range to allow to modify/adjust the selection



Step 7

Download PDF Datasheet "Report.aspx" pushing the button "Drawing"

LMP 400-401 & 430-431 series

Maximum working pressure up to 6 MPa (60 bar) - Flow rate up to 740 l/min



Description

Technical data

Low & Medium Pressure filters

Maximum working pressure up to 6 MPa (60 bar)
Flow rate up to 740 l/min

LMP400 is a range of low pressure filter with large filtration surface mainly suitable for lubrication, off-line filtration of the reservoirs and filtration equipment.

They are directly connected to the lines of the system through the hydraulic fittings.

Available features:

- Female threaded connections up to 2" and flanged connections up to 2 1/2", for a maximum flow rate of 740 l/min
- In line or 90° connections, to meet any type of application
- Base-mounting design also available, for ease of the replacement of the filter element
- Fine filtration rating, to get a good cleanliness level into the system
- Water removal elements, to remove the free water from the hydraulic fluid
- Bypass valve, to relieve excessive pressure drop across the filter media
- Vent ports, to avoid air trapped into the filter going into the system
- Drain ports, to remove the fluid from the housing prior the maintenance work
- Visual, electrical and electronic differential clogging indicators

Common applications:

- Off-line filtration of reservoirs
- Filtration systems

Filter housing materials

- Head: Anodized Aluminium
- Housing: Anodized Aluminium
- Bypass valve: Steel

Pressure LMP 400 length 2 - 3 - 4

- Working pressure: 6 MPa (60 bar)
- Test pressure: 9 MPa (90 bar)
- Burst pressure: 21 MPa (210 bar)
- Pulse pressure fatigue test: 1 000 000 cycles with pressure from 0 to 6 MPa (60 bar)

Pressure LMP 400 length 5 - 6

- Working pressure: 5 MPa (50 bar)
- Test pressure: 7.5 MPa (75 bar)
- Burst pressure: 15 MPa (150 bar)
- Pulse pressure fatigue test: 1 000 000 cycles with pressure from 0 to 5 MPa (50 bar)

Bypass valve

- Opening pressure 350 kPa (3.5 bar) ±10%
- Other opening pressures on request.

Δp element type

- Microfibre filter elements - series N - W: 20 bar
- Fluid flow through the filter element from OUT to IN.

Seals

- Standard NBR series A
- Optional FPM series V

Temperature

From -25 °C to +110 °C

Connections

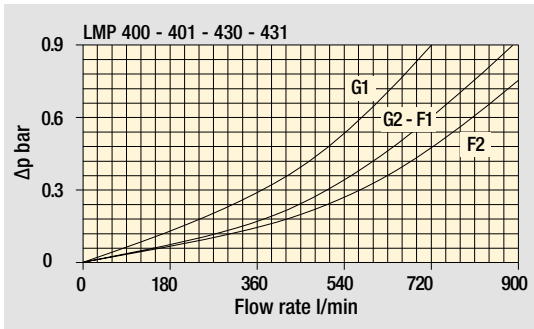
LMP 400 - 430: In-line Inlet/Outlet
 LMP 401 - 431: 90° Inlet/Outlet

Note

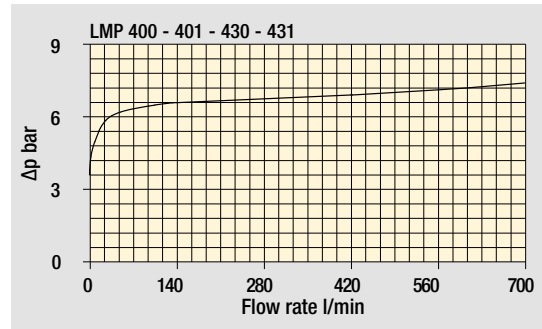
LMP 400 filters are provided for vertical mounting

Weights [kg] and volumes [dm³]

Filter series	Weights [kg]					Volumes [dm ³]						
	Length	2	3	4	5	6	Length	2	3	4	5	6
LMP 400-401-430-431		7.20	8.10	8.80	11.90	14.40		3.50	5.00	6.50	9.50	13.50



Filter housings
Δp pressure drop



Bypass valve
pressure drop

The curves are plotted using mineral oil with density of 0.86 kg/dm³ in compliance with ISO 3968.
Δp varies proportionally with density.

Flow rates [l/min]

Filter series	Length	Filter element design - N Series							
		A03	A06	A10	A16	A25	M25 M60 M90 M250	P10	P25
LMP 400	2	205	244	370	411	515	720	524	556
	3	280	333	474	515	602	760	637	660
	4	347	400	535	564	637	769	660	688
	5	459	501	610	660	717	781	700	721
	6	504	575	676	689	728	783	708	727
LMP 401	2	200	236	347	382	468	628	475	501
	3	268	315	434	468	537	659	565	582
	4	328	373	484	507	565	665	582	603
	5	423	456	544	582	626	674	613	629
	6	459	516	594	604	634	676	619	633
LMP 430	5	459	501	610	660	717	781	700	721
	6	504	575	676	689	728	783	708	727
LMP 431	5	423	456	544	582	626	674	613	629
	6	459	516	594	604	634	676	619	633

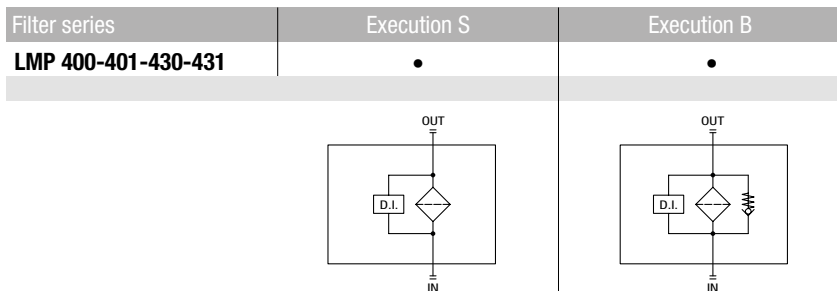
Maximum flow rate for a complete low and medium pressure filter with a pressure drop Δp = 0.7 bar.

The reference fluid has a kinematic viscosity of 30 mm²/s (cSt) and a density of 0.86 kg/dm³.

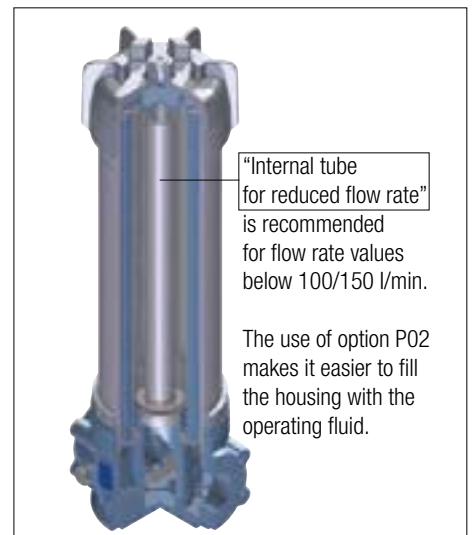
For different pressure drop or fluid viscosity we recommend to use our selection software available on www.mpfiltri.com.

Please, contact our Sales Department for further additional information.

Hydraulic symbols



LMP 430-431: execution P02



LMP400-401

Designation & Ordering code

COMPLETE FILTER

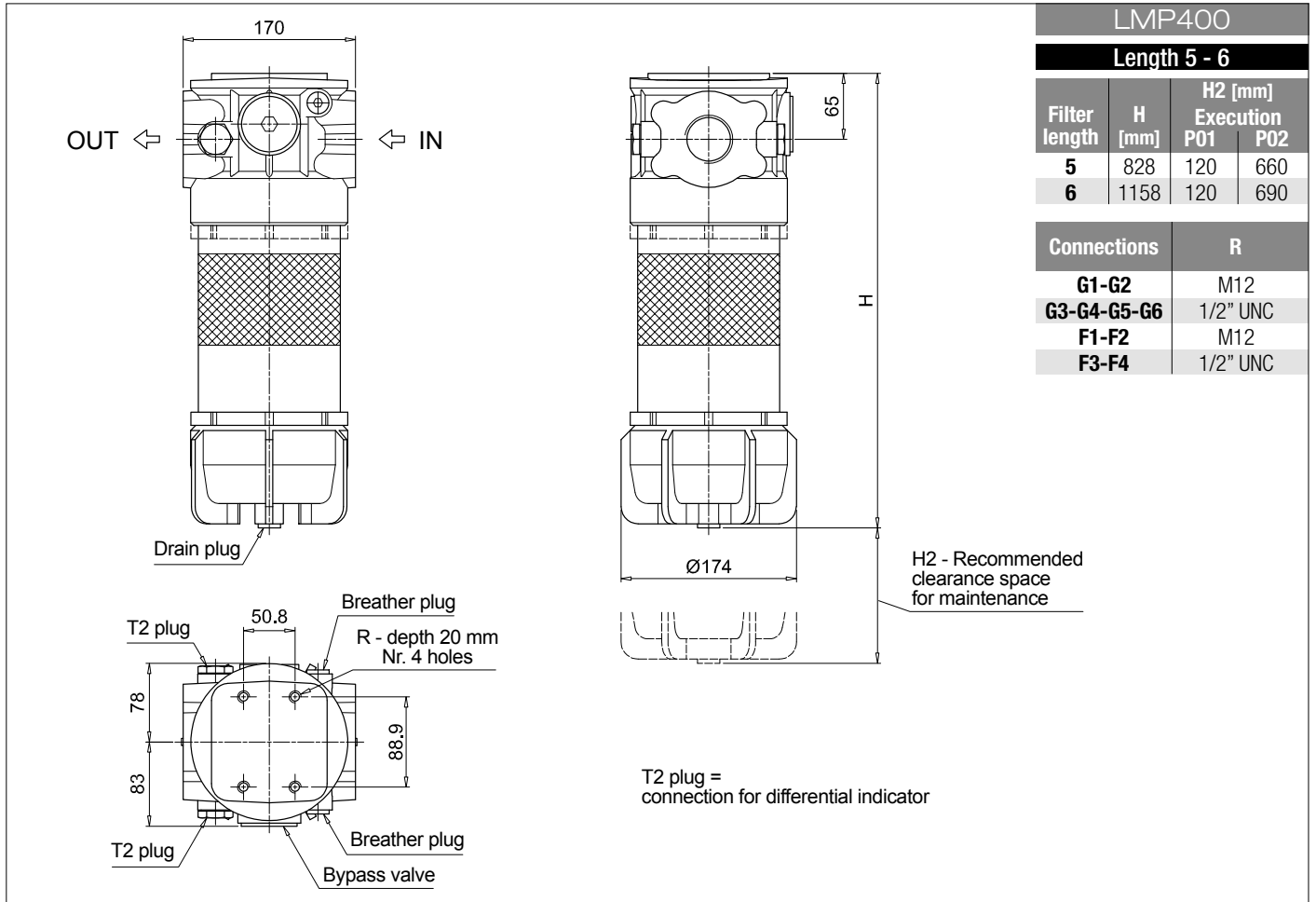
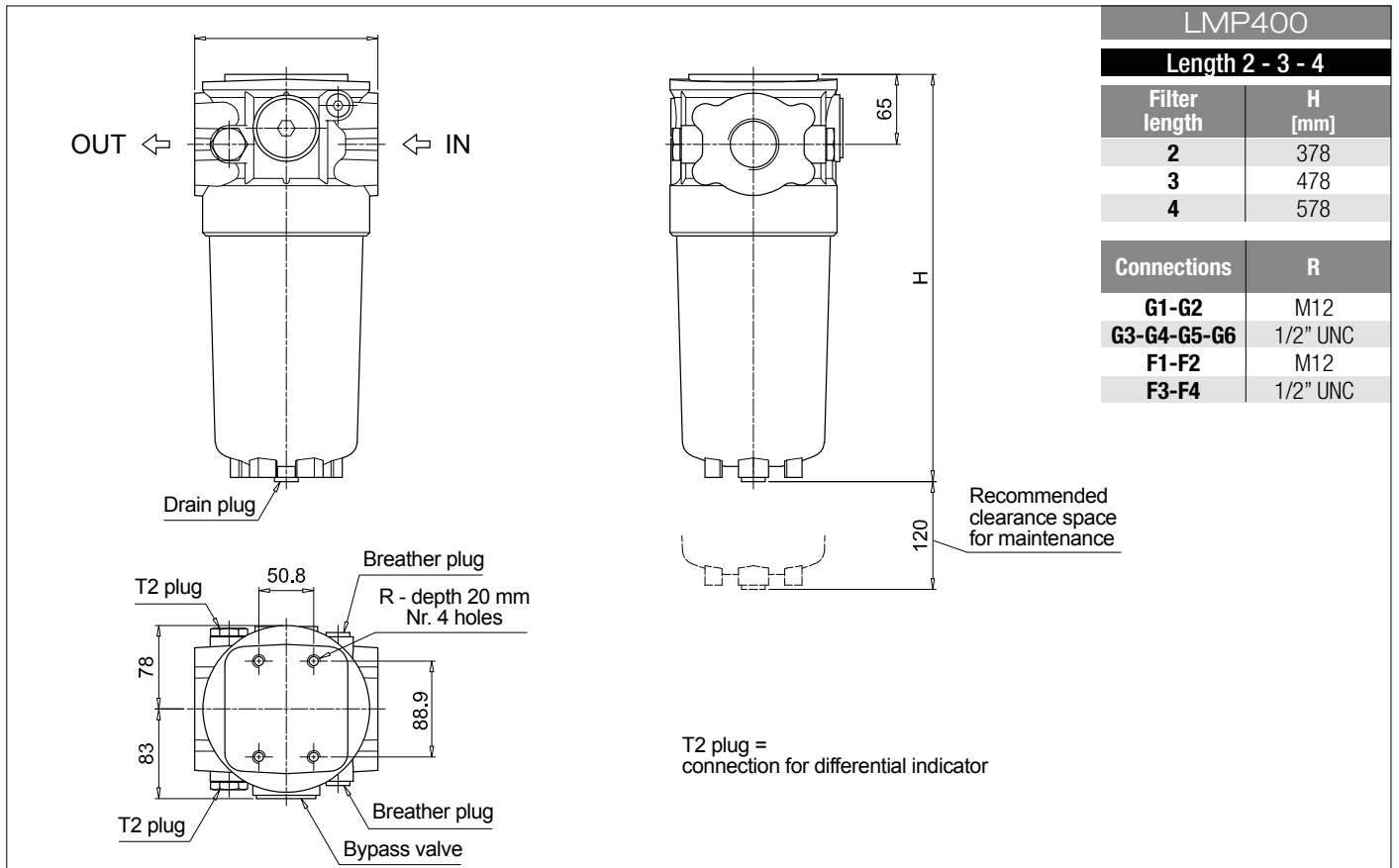
Series and size LMP400 LMP401		Configuration example: LMP401 3 B A G1 A10 N P01									
Length 2 3 4 5 6											
Bypass valve S Without bypass B 3.5 bar											
Seals and treatments		Filtration rating									
		Axx	Mxx	Pxx							
A NBR		•	•	•							
V FPM		•	•	•							
W NBR compatible with fluids HFA-HFB-HFC		•	•								
Connections											
G1 G 1 1/2"		F1 2" SAE 3000 psi/M									
G2 G 2"		F2 2 1/2" SAE 3000 psi/M									
G3 1 1/2" NPT		F3 2" SAE 3000 psi/UNC									
G4 2" NPT		F4 2 1/2" SAE 3000 psi/UNC									
G5 SAE 24 - 1 7/8" - 12 UN											
G6 SAE 32 - 2 1/2" - 12 UN											
Filtration rating (filter media)											
A03 Inorganic microfiber 3 µm		M25 Wire mesh 25 µm									
A06 Inorganic microfiber 6 µm		M60 Wire mesh 60 µm									
A10 Inorganic microfiber 10 µm		M90 Wire mesh 90 µm									
A16 Inorganic microfiber 16 µm		P10 Resin impregnated paper 10 µm									
A25 Inorganic microfiber 25 µm		P25 Resin impregnated paper 25 µm									
WA025 Water absorber inorganic microfiber 25 µm											
Element Δp N 20 bar		Execution		Filter length							
				2	3	4	5	6			
		P01 MP Filtri standard		•	•	•	•	•			
		P02 Maintenance from the bottom of the housing							•	•	
		Pxx Customized									

FILTER ELEMENT

Element series and size CU400		Configuration example: CU400 3 A10 A N P01									
Element length 2 3 4 5 6											
Filtration rating (filter media)											
A03 Inorganic microfiber 3 µm		M25 Wire mesh 25 µm									
A06 Inorganic microfiber 6 µm		M60 Wire mesh 60 µm									
A10 Inorganic microfiber 10 µm		M90 Wire mesh 90 µm									
A16 Inorganic microfiber 16 µm		P10 Resin impregnated paper 10 µm									
A25 Inorganic microfiber 25 µm		P25 Resin impregnated paper 25 µm									
WA025 Water absorber inorganic microfiber 25 µm											
Seals		Filtration rating									
		Axx	Mxx	Pxx							
A NBR		•	•	•							
V FPM		•	•	•							
W NBR compatible with fluids HFA-HFB-HFC		•	•								
Element Δp N 20 bar		Execution									
				P01 MP Filtri standard							
		Pxx Customized									

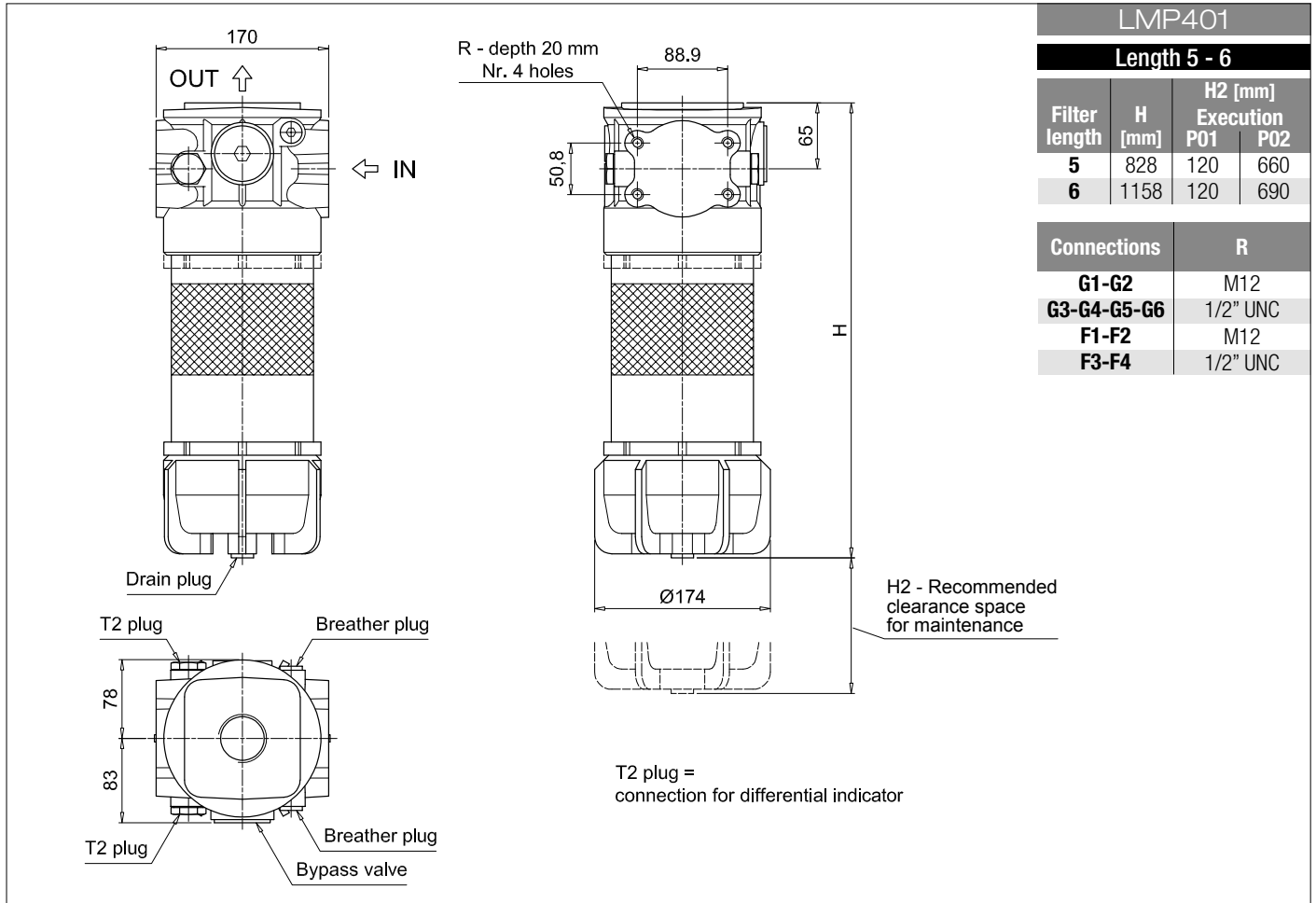
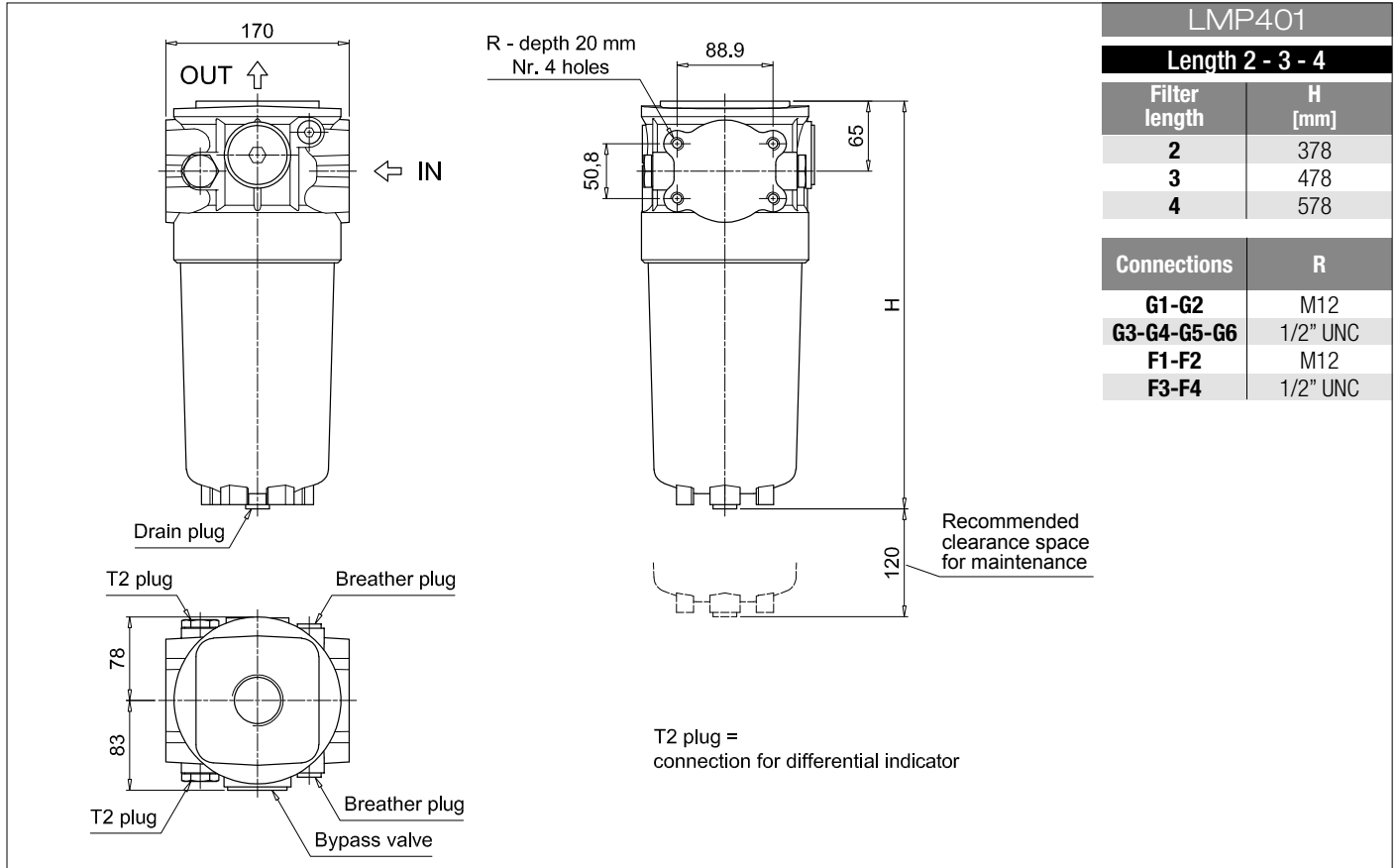
ACCESSORIES

Differential indicators		page			page
DEA Electrical differential indicator		445	DTA Electronic differential indicator		448
DEM Electrical differential indicator		445-446	DVA Visual differential indicator		448
DLA Electrical / visual differential indicator		446-447	DVM Visual differential indicator		448
DLE Electrical / visual differential indicator		447			
Additional features		page			
T2 Plug		449			



LMP400-401

Dimensions



LMP430-431

Designation & Ordering code

COMPLETE FILTER

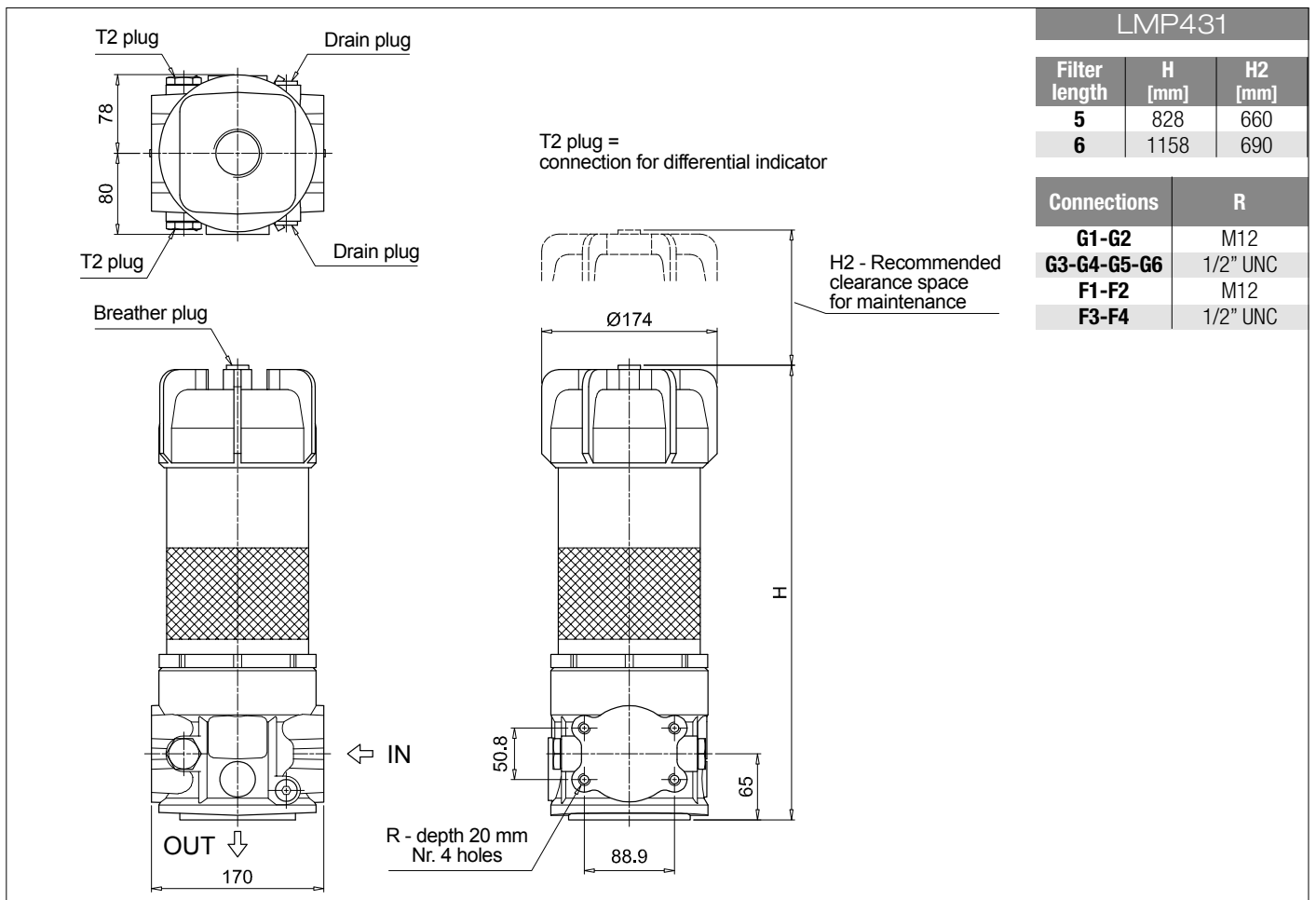
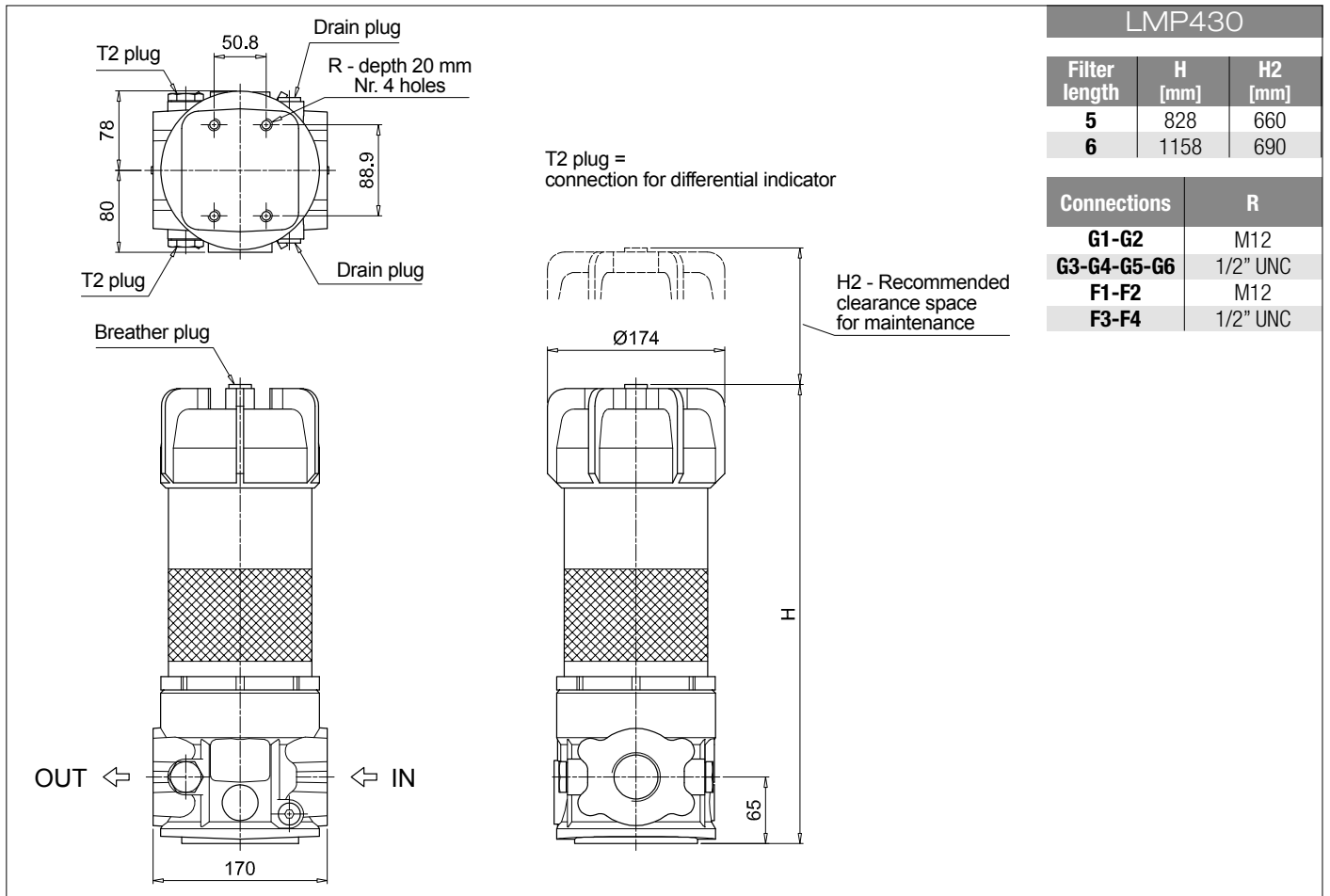
Series and size		Configuration example: LMP431 5 B A G1 A10 N P01									
LMP430 LMP431											
Length											
5 6											
Bypass valve											
S Without bypass		B 3.5 bar									
Seals and treatments		Filtration rating									
		Axx	Mxx	Pxx							
A NBR		•	•	•							
V FPM		•	•	•							
W NBR compatible with fluids HFA-HFB-HFC		•	•								
Connections											
G1 G 1 1/2"		F1 2" SAE 3000 psi/M									
G2 G 2"		F2 2 1/2" SAE 3000 psi/M									
G3 1 1/2" NPT		F3 2" SAE 3000 psi/UNC									
G4 2" NPT		F4 2 1/2" SAE 3000 psi/UNC									
G5 SAE 24 - 1 7/8" - 12 UN											
G6 SAE 32 - 2 1/2" - 12 UN											
Filtration rating (filter media)											
A03 Inorganic microfiber 3 µm		M25 Wire mesh 25 µm									
A06 Inorganic microfiber 6 µm		M60 Wire mesh 60 µm									
A10 Inorganic microfiber 10 µm		M90 Wire mesh 90 µm									
A16 Inorganic microfiber 16 µm		P10 Resin impregnated paper 10 µm									
A25 Inorganic microfiber 25 µm		P25 Resin impregnated paper 25 µm									
WA025 Water absorber inorganic microfiber 25 µm											
Element Δp		Execution									
N 20 bar		P01 MP Filtri standard									
		P02 With internal tube for reduced flow rate									
		Pxx Customized									

FILTER ELEMENT

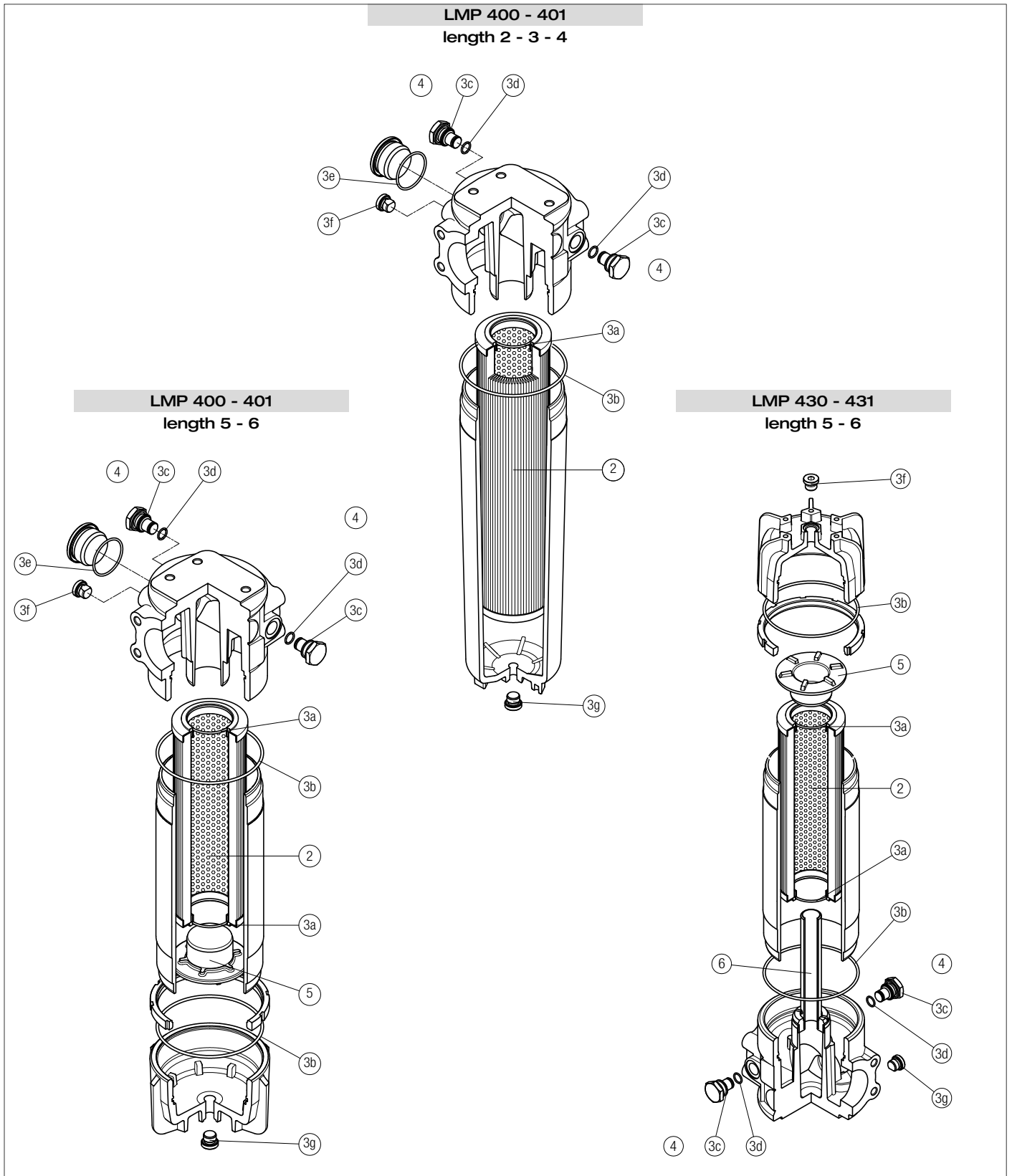
Element series and size		Configuration example: CU400 5 A10 A N P01									
CU400											
Element length											
5 6											
Filtration rating (filter media)											
A03 Inorganic microfiber 3 µm		M25 Wire mesh 25 µm									
A06 Inorganic microfiber 6 µm		M60 Wire mesh 60 µm									
A10 Inorganic microfiber 10 µm		M90 Wire mesh 90 µm									
A16 Inorganic microfiber 16 µm		P10 Resin impregnated paper 10 µm									
A25 Inorganic microfiber 25 µm		P25 Resin impregnated paper 25 µm									
WA025 Water absorber inorganic microfiber 25 µm											
Seals		Filtration rating									
		Axx	Mxx	Pxx							
A NBR		•	•	•							
V FPM		•	•	•							
W NBR compatible with fluids HFA-HFB-HFC		•	•								
Element Δp		Execution									
N 20 bar		P01 MP Filtri standard									
		Pxx Customized									

ACCESSORIES

Differential indicators		page			page
DEA	Electrical differential indicator	445	DTA	Electronic differential indicator	448
DEM	Electrical differential indicator	445-446	DVA	Visual differential indicator	448
DLA	Electrical / visual differential indicator	446-447	DVM	Visual differential indicator	448
DLE	Electrical / visual differential indicator	447			
Additional features		page			
T2	Plug	449			



Order number for spare parts



Item:	Q.ty: 1 pc.	Q.ty: 1 pc.	Q.ty: 2 pcs.	Q.ty: 2 pcs.	Q.ty: 1 pc.
Filter series	2	3 (3a ÷ 3g)	4	5	6
Filter element	See order table	NBR FPM	Indicator connection plug NBR FPM	Housing spigot no bypass with bypass	Tube assembly
LMP 400-401 length 2-3-4		02050391 02050392			
LMP 400-401 length 5-6		02050393 02050394	T2H T2V	01044108	
LMP 430-431 Length 5-6		02050393 02050394		01044108 02001414	Length 5: 02025041 Length 6: 02025042